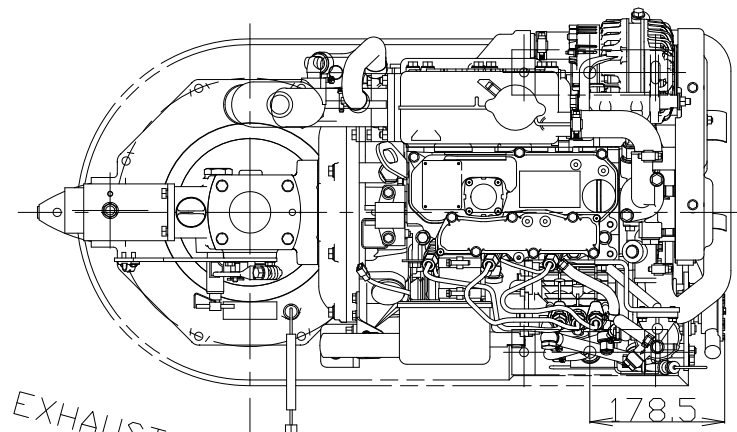
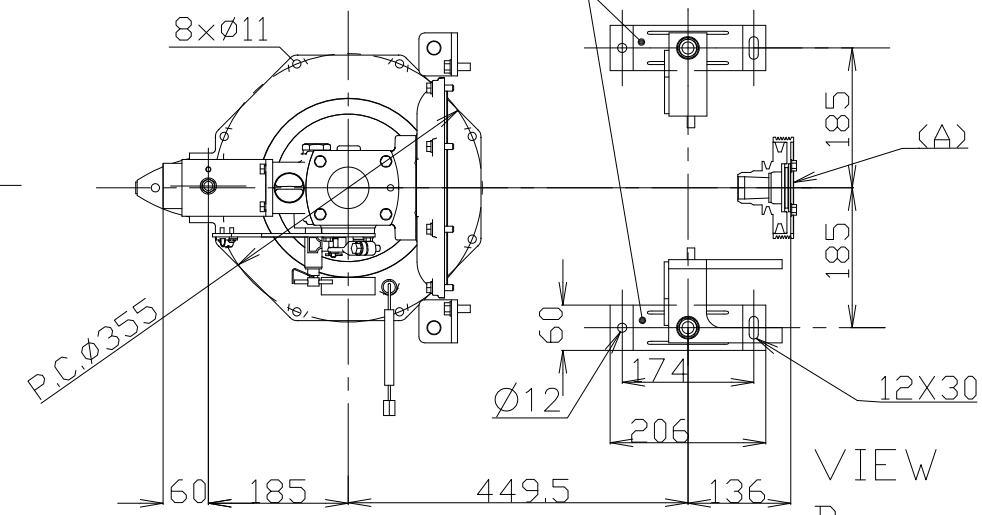


VIEW A

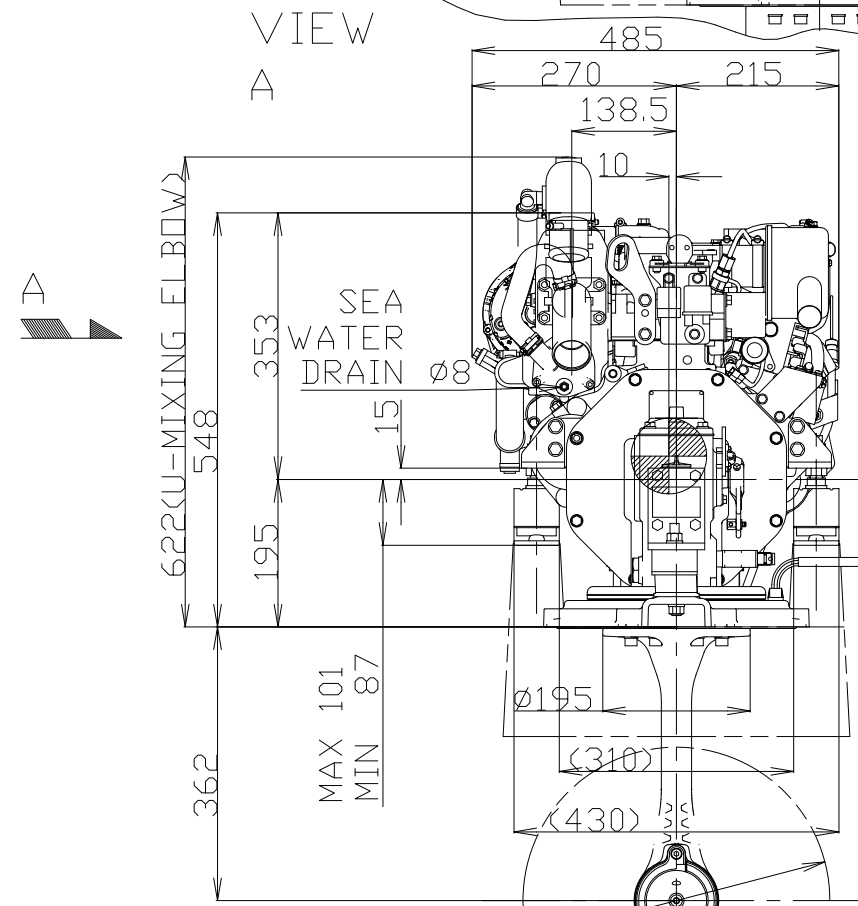


EXHAUST PIPE
Ø51

MOUNTING BLOCKS ID#100

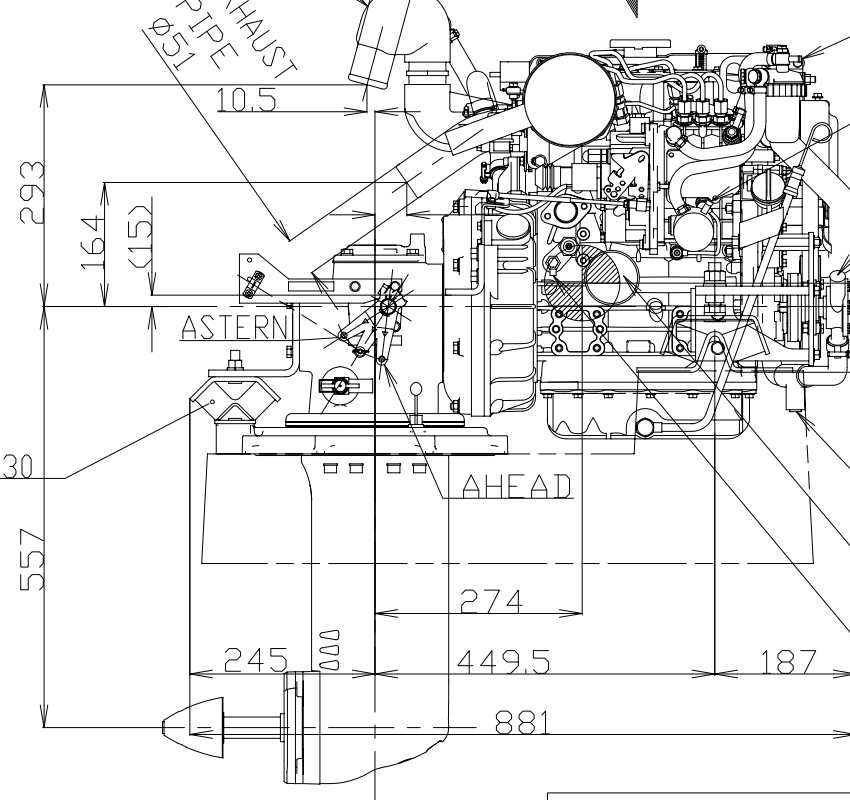


VIEW B



U-MIXING ELBOW
(OPTIONAL)

EXHAUST PIPE
Ø51



FUEL OVERFLOW
Ø8.0

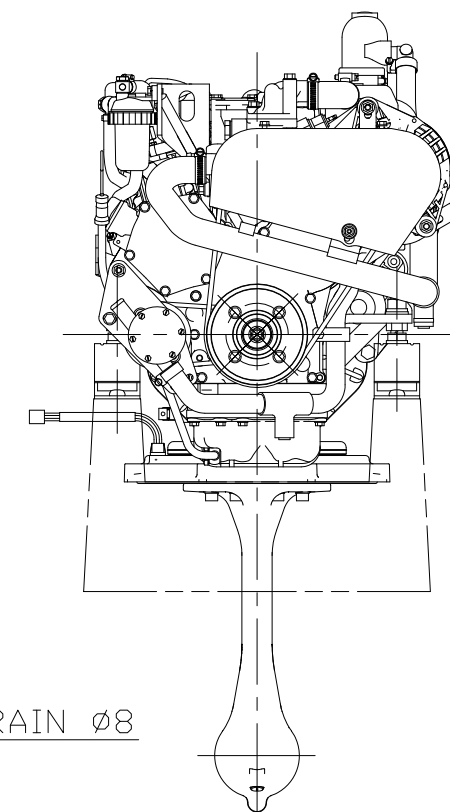
FUEL INLET
Ø8.3

WATER INLET
Ø19.5

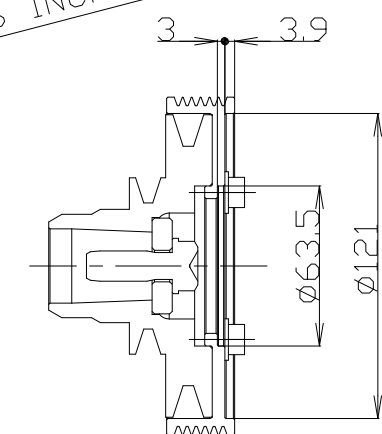
SEA WATER
DRAIN PLUG

LO FILTER

FRESH WATER DRAIN Ø8



MAX DIA. OF PROP Ø406
Ø16 INCHES



DETAIL OF PULLEY(A)
(SCALE 1:3)

DIRECTION OF
ROTATION

4xM8 BOLT

P.C.Ø82.5

- NOTE
- 1.DWG.SHOWS MOUNTING BLOCKS AT ORIGINAL HEIGHT.
 - 2.ENGINE WEIGHT WILL COMPRESS BLOCKS BY 4.5mm(APPROX.).
 - 3.MOUNTING BLOCKS ARE EQIPPED FOR STANDARD ACCESSARY.
 4. ● SHOWS CENTER OF GRAVITY.

SPECIFICATIONS

MODEL	3YM20
Continuous Power (ISO8665) kW/min ⁻¹	13.9/3489
Fuel Stop Power Crankshaft(ISO8665) kW/min ⁻¹	15.3/3600
Reduction Ratio	2.62
Engine Mass with sail drive SD20 kg	Approx.144
Direction Of Propeller Shaft Rotation	Clockwise

SCALE	NAME	MODEL
1:10(1:3)	OUTLINE	3YM20xSD25
DATE	ORIGINAL DRAWING NUMBER	REVISION
11-9-2012	B2-28890-0022	0