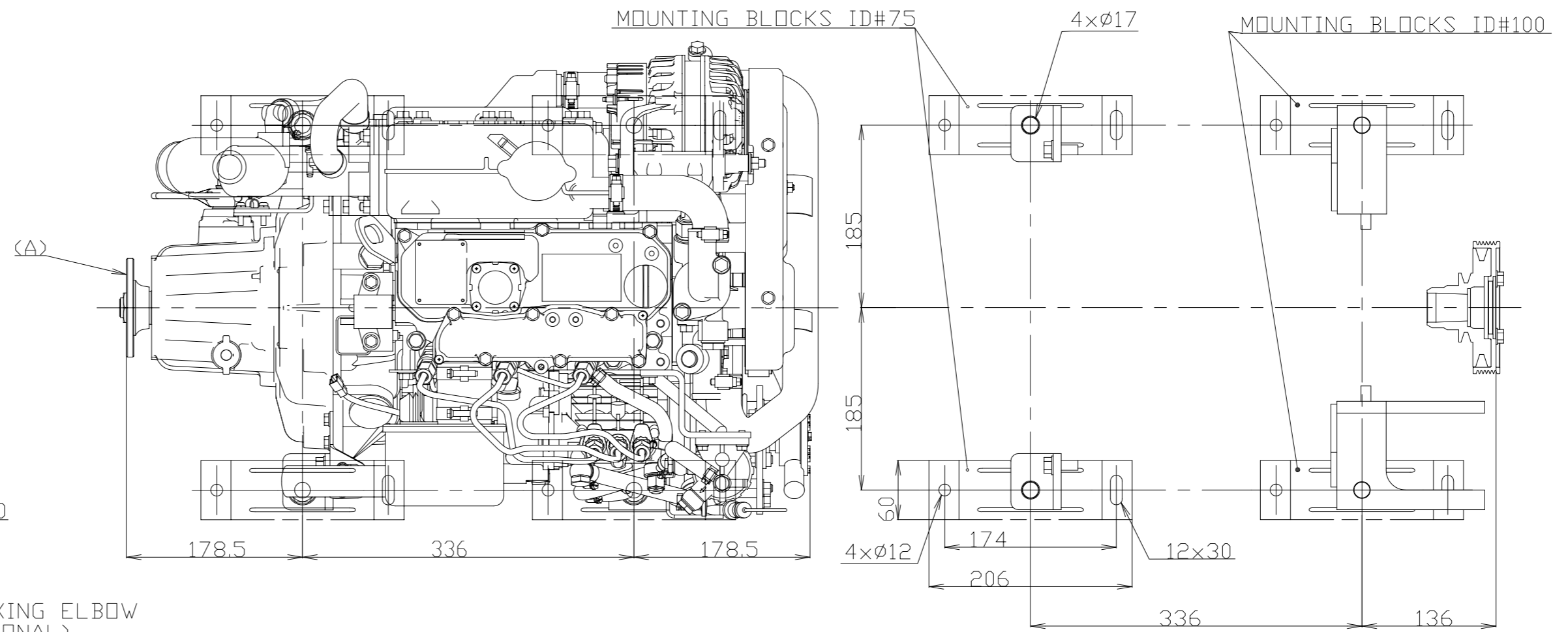
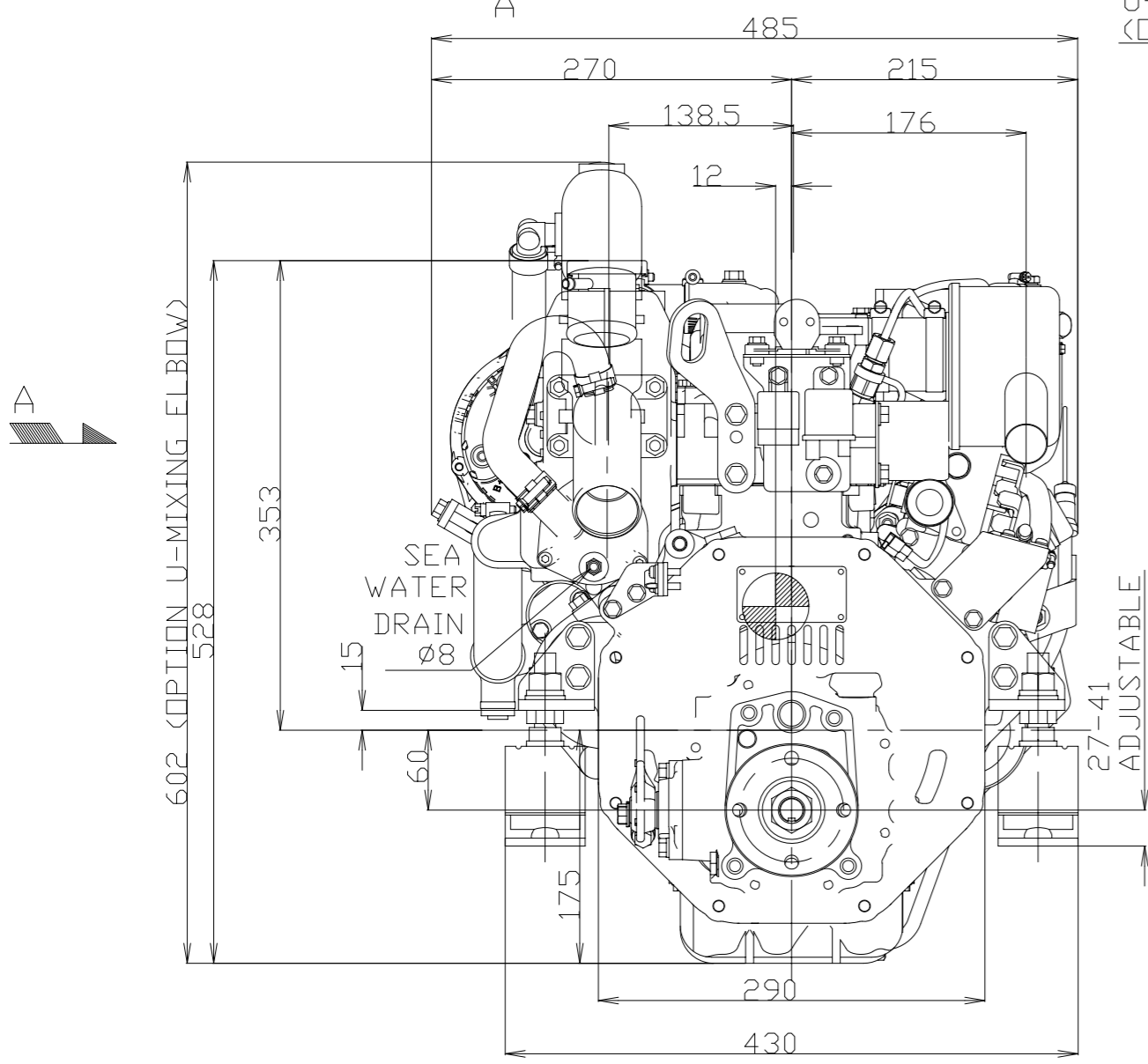


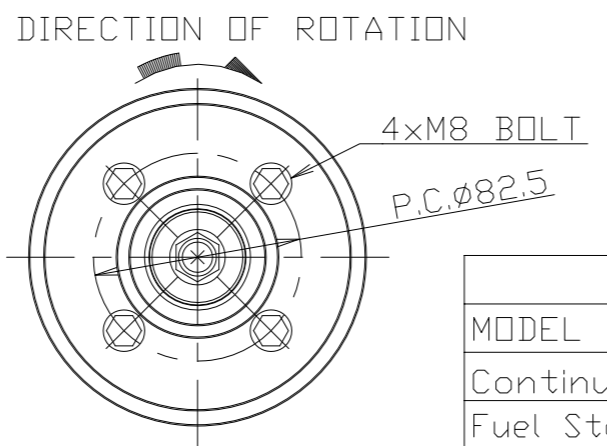
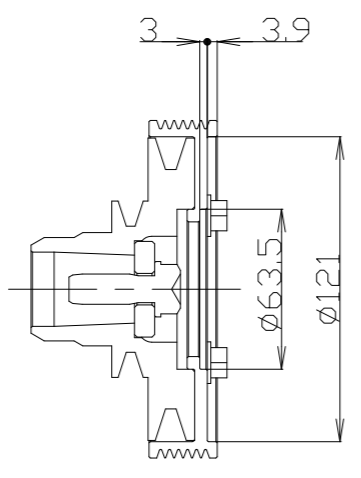
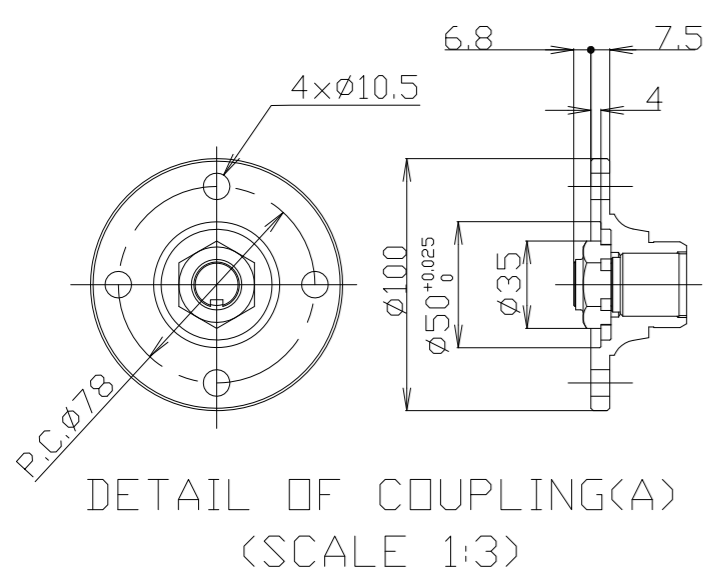
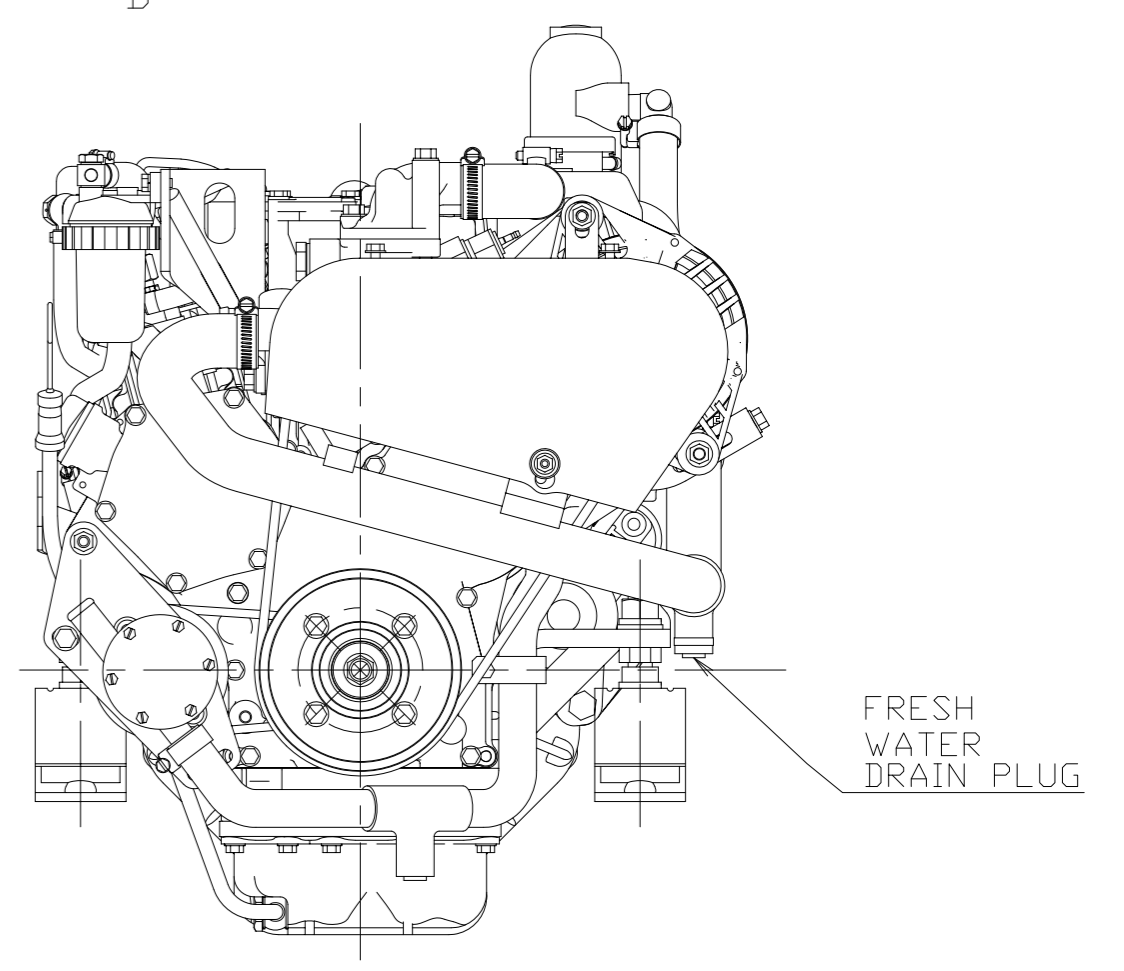
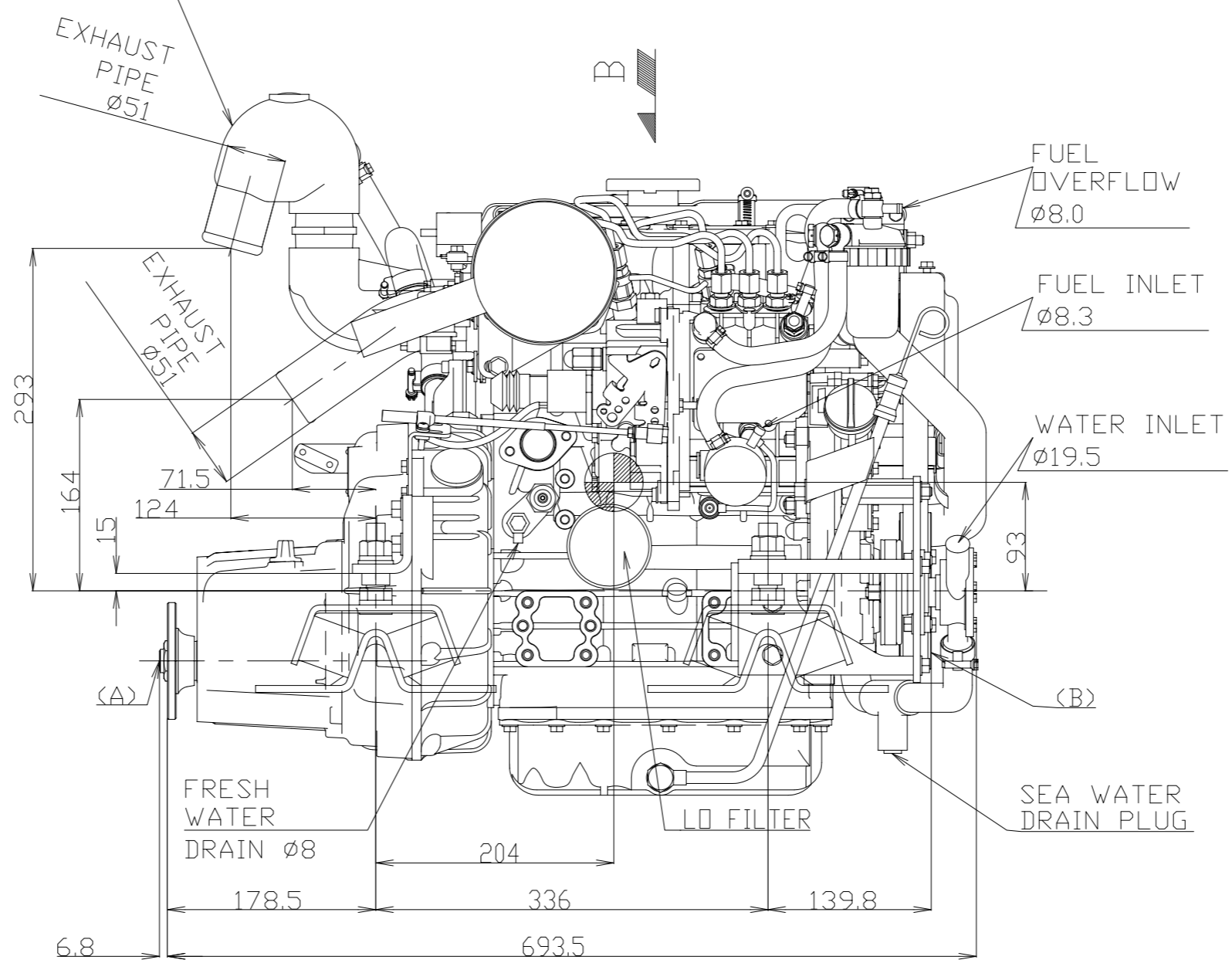
VIEW A



VIEW B



U-MIXING ELBOW (OPTIONAL)



NOTE  
 1.DWG. SHOWS MOUNTING BLOCKS AT ORIGINAL HEIGHT.  
 2.ENGINE WEIGHT WILL COMPRESS BLOCKS BY 4.5mm(APPROX.).  
 3.MOUNTING BLOCKS ARE EQUIPPED FOR STANDARD ACCESSARY.  
 4. ● SHOWS CENTER OF GRAVITY.

SPECIFICATIONS		
MODEL		3YM20
Continuous Power	(ISO8665) kW/min <sup>-1</sup>	13.9/3489
Fuel Stop Power	Crankshaft (ISO8665) kW/min <sup>-1</sup>	15.3/3600
Reduction Ratio		2.21   2.62   3.22
Engine Mass	kg	Approx.120
Direction Of Propeller Shaft Rotation		Clockwise

SCALE	NAME	MODEL
1:5	OUTLINE	3YM20xKM2P1
DATE	ORIGINAL DRAWING NUMBER	REVISION
11-26-2012	B2-28890-0012	0

