

# **Marine Diesel Engine**

**M3.28**

**M3.29**

**Parts catalogue**

Deze onderdelencatalogus bevat waardevolle informatie voor onderhoud en service aan uw motor.

Wij adviseren U, bij vervanging alleen originele *VETUS* onderdelen toe te passen.

Het typeplaatje bevat informatie over de typeaanduiding, het motornummer en de serie.

Gebruik deze informatie bij bestelling van onderdelen.

This parts'catalogue contains valuable information for maintenance and service over your engine.

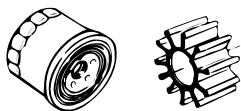
For replacement, we recommend that you use only genuine *VETUS* parts.

The identification tag contains information about model, serial number and series.

Use this information when ordering parts.

---

1



Reserve kits  
Spare parts kit

---

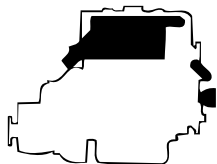
2



Motor  
Engine

---

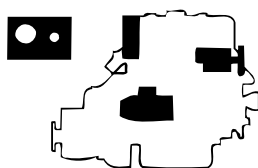
3



Koeling  
Cooling

---

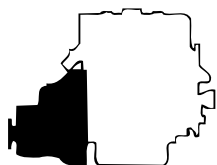
4



Electra, bediening en instrumenten  
Electrics, controls, instruments

---

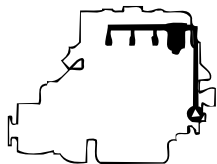
5



Aandrijving  
Transmission

---

6



Brandstofsysteem  
Fuel system

---

7

Generator  
Generator

---

8

Gereedschappen  
Tools

---

9

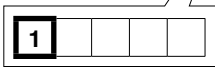
10

Accessoires  
Optionals

---

ML15 MA17		Servicekit	Service kit	
oms.	qty	part	benaming	description
1	1	STM090	Brandstoffilter	Fuel filter
2	1	STM070	Injectie + pakking zeesiederpomp	Injector + gasket seewater pump
3	1	STM003	Oliefilter	Oil filter
4	1	STM095	Vibrator 50 A dynamo	Vibrat 50 A alternator
5	1	STM040	Service kit cpl. 20 A dynamo	Service kit cpl. 20 A dynamo
1	1	STM040	Service kit cpl. 110 A dynamo	Service kit cpl. 110 A dynamo

1-1

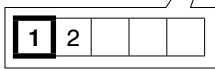


De volledige stuklijst staat op deze pagina.

The full parts list is shown on this page.

ML15 MA17		Motorblok	Engine block	
oms.	qty	part	benaming	description
1	1	STM742	Motorblok	Engine block
2	1	STM096	Motorblok	Engine block
3	3	STM743	Kap	Cap
4	3	STM744	Kap	Cap
5	10	STM745	Buis	Bush
6	1	STM746	Buis	Bush
7	1	STM207	Oliecraan	Oil can
8	1	STM747	Kap	Cap
9	3	STM748	Kap	Cap
10	1	STM749	Plug	Plug
11	4	STM750	Buis	Bush
12	2	STM010	Buis	Bush

2-1

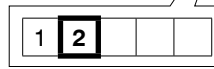


De stuklijst is verdeeld over 2 pagina's. Op deze pagina staat het **eerste** deel.

The parts list is spread over 2 pages. On this page the **first** part is shown.

ML15 MA17		Motorblok	Engine block	
oms.	qty	part	benaming	description
13	1	STM011	Buis	Bush
14	1	STM756	Plug	Plug
15	1	STM753	Pin	Pin
16	2	STM002	Pin	Pin
17	1	STM752	As	Shaft
18	1	STM755	Kogel	Ball
19	1	STM754	As	Shaft
20	4	STM758	Afsluiting	Seal
21	1	STM759	As	Shaft
22	2	STM757	Pin	Pin
23	1	STM758	Plug	Plug
24	1	STM007	Kap	Cap

2-2



De stuklijst is verdeeld over 2 pagina's. Op deze pagina staat het **tweede** deel.

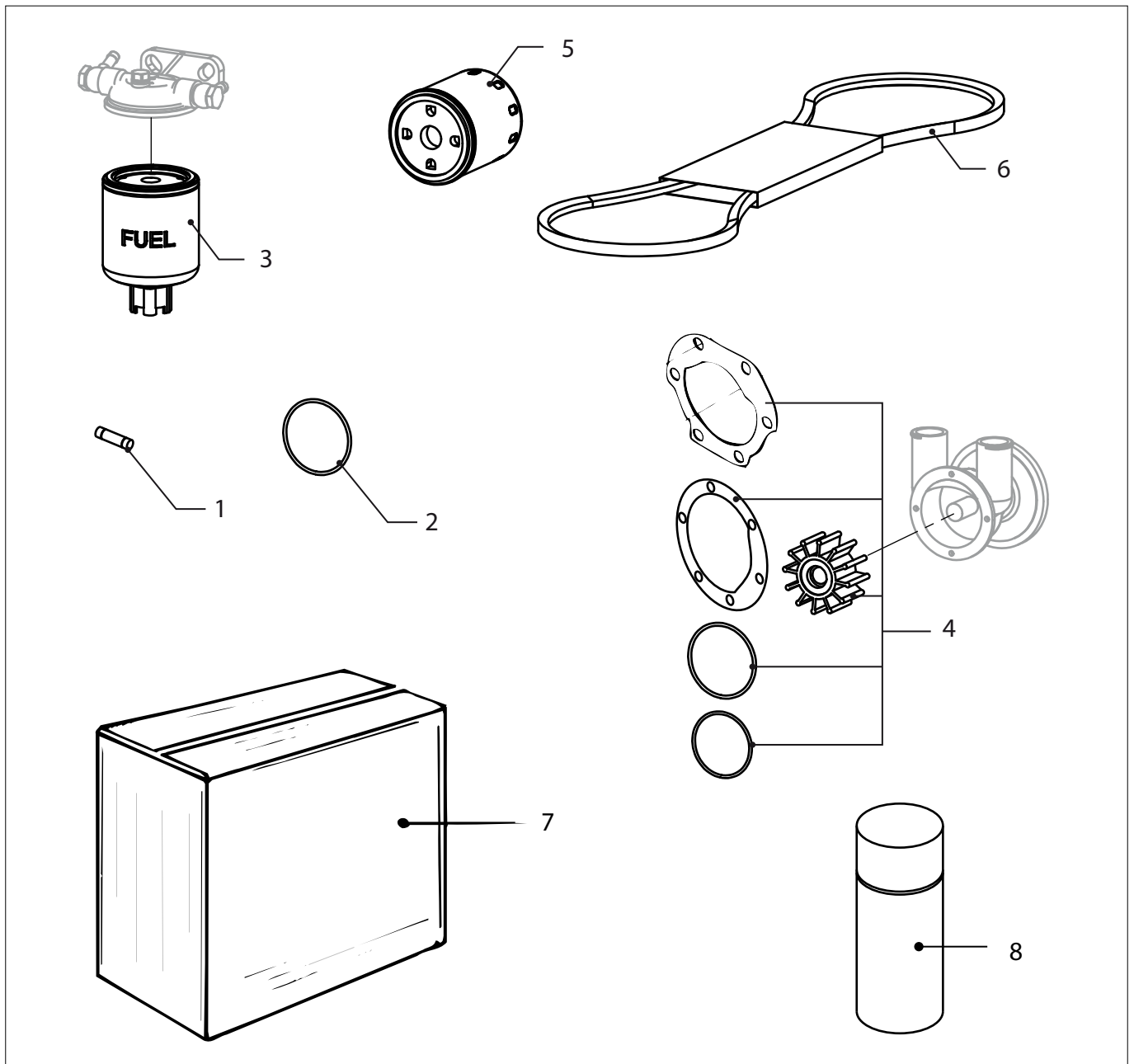
The parts list is spread over 2 pages. On this page the **second** part is shown.

# Inhoud

## Contents

pag. page	type	omschrijving	description
1-1	<b>M3.28</b>	Serviceonderdelen	Service parts
1-2	<b>M3.29</b>	Serviceonderdelen	Service parts
2-1	<b>M3.28 M3.29</b>	Motorsteunen	Engine supports
2-2	<b>M3.28 M3.29</b>	Motorblok	Crankcase
2-3	<b>M3.28 M3.29</b>	Motorblok	Crankcase
2-4	<b>M3.28 M3.29</b>	Motorblok	Crankcase
2-5	<b>M3.28 M3.29</b>	Carterpan + Oliepomp	Oil sump + Oil pump
2-6	<b>M3.28 M3.29</b>	Carterpan + Oliepomp	Oil sump + Oil pump
2-7	<b>M3.28</b>	Peilstok	Oil dipstick
2-8	<b>M3.29</b>	Peilstok	Oil dipstick
2-9	<b>M3.28 M3.29</b>	Cilinderkop	Cylinder head
2-10	<b>M3.28 M3.29</b>	Krukas	Crankshaft
2-11	<b>M3.28 M3.29</b>	Distributie	Time Gear
2-12	<b>M3.28 M3.29</b>	Distributie	Time Gear
2-13	<b>M3.28 M3.29</b>	Distributie	Time Gear
2-14	<b>M3.28 M3.29</b>	Pakkingset	Gasket kit
2-15	<b>M3.28 M3.29</b>	Pakkingset	Gasket kit
2-16	<b>M3.28 M3.29</b>	Luchtinlaat	Air intake
2-17	<b>M3.28</b>	Luchtinlaatkast 2014 <-	Air intake housing 2014 <-
2-18	<b>M3.29</b>	LuchtfILTER	Air cleaner
2-19	<b>M3.29</b>	Afschermkap	Protection cover
2-20			
3-1	<b>M3.28</b>	Warmtewisselaar units	Heat exchanger units
3-2	<b>M3.28</b>	Warmtewisselaar units	Heat exchanger units
3-3	<b>M3.28</b>	Warmtewisselaar units	Heat exchanger units
3-4	<b>M3.28 M3.29</b>	Warmtewisselaar units	Heat exchanger units
3-5	<b>M3.28 M3.29</b>	Warmtewisselaar units	Heat exchanger units
3-6	<b>M3.28 M3.29</b>	Warmtewisselaar units	Heat exchanger units
3-7	<b>M3.28 M3.29</b>	Kielkoelspruitstuk	Keelcooler manifold
3-8	<b>M3.28 M3.29</b>	Kielkoelspruitstuk	Keelcooler manifold
3-9	<b>M3.28 M3.29</b>	Kielkoelspruitstuk	Keelcooler manifold
3-10	<b>M3.28</b>	Kielkoelspruitstuk PRM	Keelcooler manifold PRM
3-11	<b>M3.28</b>	Kielkoelspruitstuk PRM	Keelcooler manifold PRM
3-12	<b>M3.28</b>	Kielkoelspruitstuk PRM	Keelcooler manifold PRM
3-13	<b>M3.29</b>	Bovenkap	Upper cover
3-14	<b>M3.28 M3.29</b>	Zeewaterpomp	Seawater pump
3-15	<b>M3.28 M3.29</b>	Circulatiepomp	Circulation pump
3-16	<b>M3.28</b>	Pompen	Pumps
3-17	<b>M3.28</b>	Pompen	Pumps
3-18	<b>M3.29</b>	Pompen	Pumps
3-19	<b>M3.29</b>	Pompen	Pumps

pag. page	type	omschrijving	description
3-20			
4-1	<b>M3.28</b>	Bedradingskast	Terminal box
4-2	<b>M3.28 M3.29</b>	Motorbedrading 2014 ->	Engine wiring 2014 ->
4-3	<b>M3.28 M3.29</b>	Kabels en hoofdschakelaar	Cables and main switch
4-4	<b>M3.28 M3.29</b>	Instrumentenpaneel	Instrument panel
4-5	<b>M3.28 M3.29</b>	Startmotor	Starter motor
4-6	<b>M3.28</b>	Dynamo 12 V - 75 A 1p	Alternator 12 V - 75 A Earth return
4-7	<b>M3.29</b>	Dynamo 12 V - 75 A 1p	Alternator 12 V - 75 A Earth return
4-8	<b>M3.28 M3.29</b>	Zenders+schakelaars	Sender units+switches
4-9	<b>M3.28</b>	Bediening, Gas	Control, Throttle
4-10	<b>M3.29</b>	Bediening, Gas	Control, Throttle
4-11	<b>M3.28 M3.29</b>	Bediening, keerkoppeling	Controls, gearbox
4-12			
5-1	<b>M3.28 M3.29</b>	Vliegwielhuis	Flywheel housing
5-2	<b>M3.28 M3.29</b>	Vliegwielhuis	Flywheel housing
5-3	<b>M3.28</b>	Vliegwielhuis PRM150, kielkoeling	Flywheel housing PRM150, keelcooling
5-4	<b>M3.28</b>	Vliegwielhuis PRM150, kielkoeling	Flywheel housing PRM150, keelcooling
6-1	<b>M3.28</b>	Brandstoffilter	Fuel filter
6-2	<b>M3.28</b>	Brandstoffilter	Fuel filter
6-3	<b>M3.29</b>	Brandstoffilter	Fuel filter
6-4	<b>M3.29</b>	Brandstoffilter	Fuel filter
6-5	<b>M3.28 M3.29</b>	Brandstofsysteem	Fuel system
6-6	<b>M3.28 M3.29</b>	Brandstofpomp	Fuel pump
6-7	<b>M3.28 M3.29</b>	Brandstofpomp	Fuel pump
6-8	<b>M3.28 M3.29</b>	Regulateur	Regulator
6-9	<b>M3.28 M3.29</b>	Regulateur	Regulator
6-10	<b>M3.28 M3.29</b>	Verstuiverhouder	Nozzle holder
10-1	<b>M3.28 M3.29</b>	Verloopset saildrive 110S	Adaptor kit saildrive 110S
10-2	<b>M3.28 M3.29</b>	Verloopset saildrive 120S	Adaptor kit saildrive 120S
10-3	<b>M3.28 M3.29</b>	Verloopset saildrive 120SB	Adaptor kit saildrive 120SB
10-4	<b>M3.28 M3.29</b>	Technodrive SP60 geïsoleerd	Technodrive SP60 insulated
10-5	<b>M3.28 M3.29</b>	Boileraansluiting I	Calorifier connection I
10-6	<b>M3.28 M3.29</b>	Boileraansluiting II Interkoeling	Calorifier connection II Intercooling
10-7	<b>M3.28 M3.29</b>	Boileraansluiting II Kielkoeling	Calorifier connection II Keelcooling
10-8	<b>M3.28 M3.29</b>	Separaat gemonteerd oliefilter	Oil filter separately installed
10-9	<b>M3.28 M3.29</b>	Instrumenten paneel MP10, SOLAS	Instrument panel MP10, SOLAS
10-10	<b>M3.28</b>	Tilt kit, SOLAS	Tilt kit, SOLAS
		Register	Index

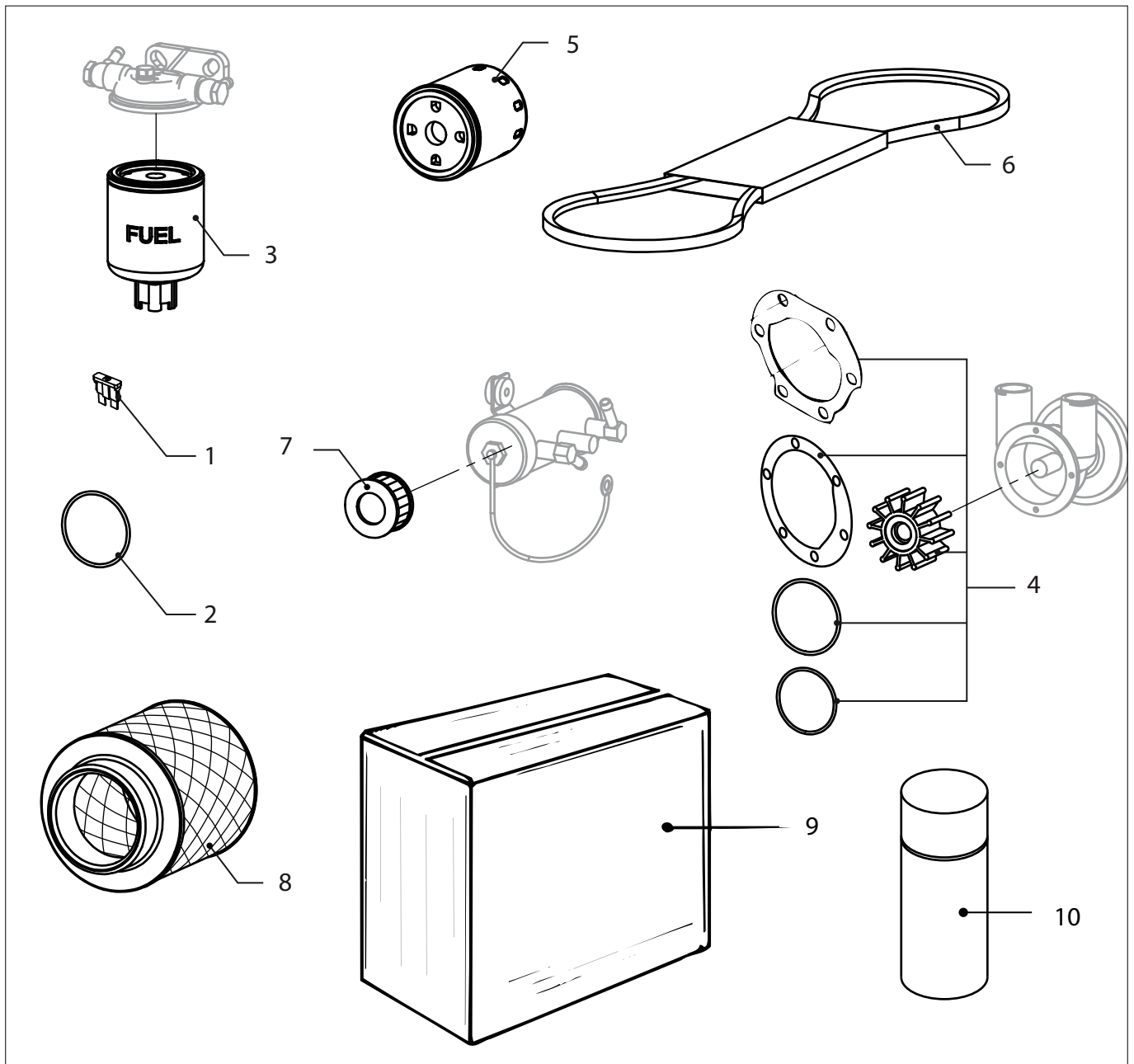


**M3.28**

**Serviceonderdelen**

**Service parts**

pos.	qty	part	benaming	description
1	5	STM9185	Glaszekering 10A T ø6,3x32	Glass fuse 10A slow ø6,3x32
2	2	STM6113	O-ring Warmtewisselaar 61x2,5	O-ring Heat exchanger 61x2.5
3	1	STM3690	Brandstoffilter	Fuel filter
4	1	STM8076	Impeller + pakkingen	Impeller + gaskets
5	1	STM0051	Oliefilter	Oil filter
6	1	STM7439	V-snaar l=925 (75A dyn)	V-belt l=925 (75A alt)
7	1	08-01375	Service kit pos 1 t.e.m. 6	Service kit pos 1 up to 6
8	1	STM0052	Spuitbus verf	Spray can paint



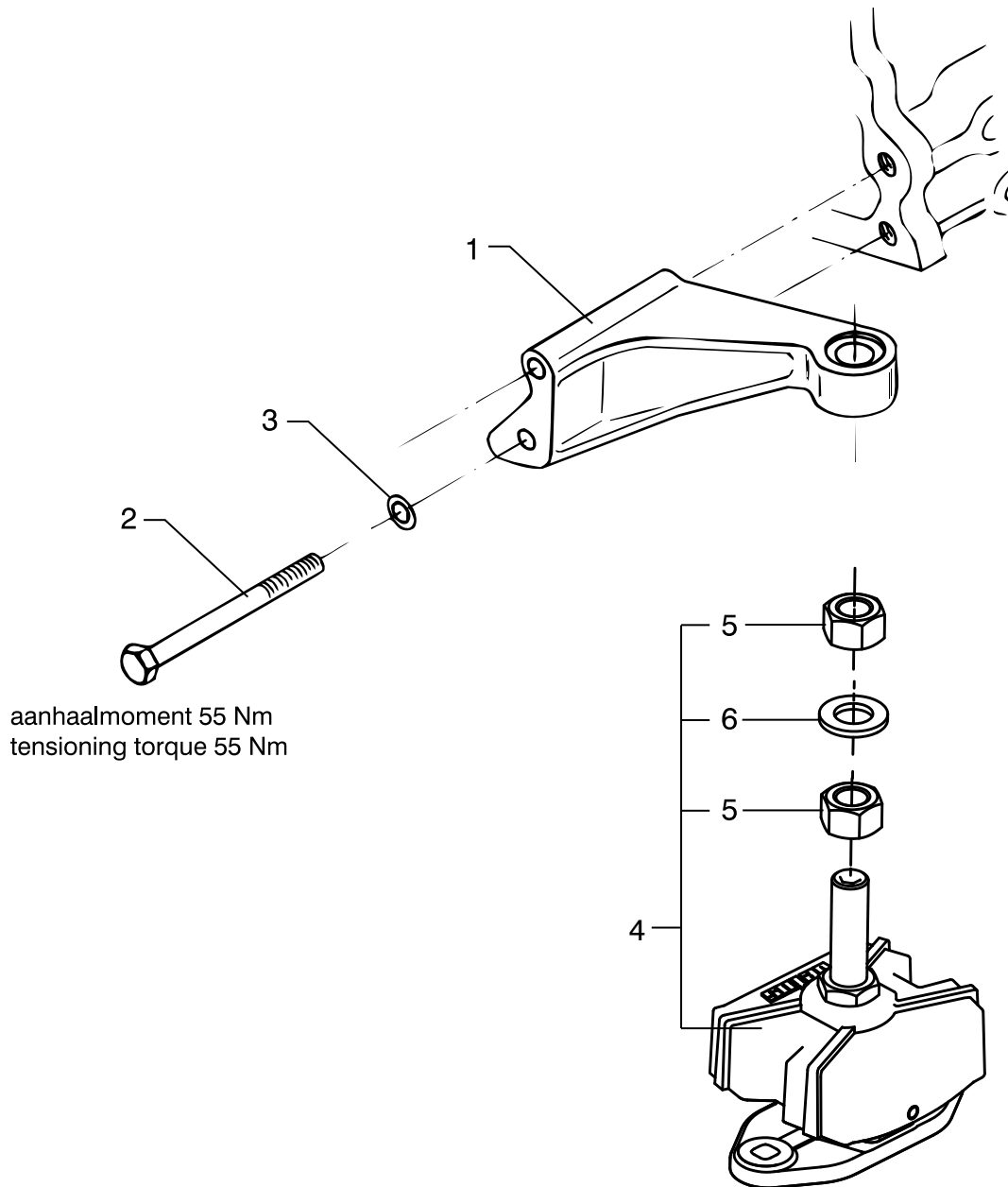
**M3.29**

**Serviceonderdelen**

**Service parts**

pos.	qty	part	benaming	description
1	5	STM4614	Steek zekering ATO 10A	ATO fuse 10A
2	2	STM6113	O-ring Warmtewisselaar 61x2,5	O-ring Heat exchanger 61x2.5
3	1	STM3690	Brandstoffilter	Fuel filter
4	1	STM8076	Impeller + pakkingen	Impeller + gaskets
5	1	STM0051	Oliefilter	Oil filter
6	1	STM7439	V-snaar l=925 (75A dyn)	V-belt l=925 (75A alt)
7	1	STM4050	Brandstoffilter opvoerpomp	Fuel filter fuel lift pump
8	1	08-01308	Luchtfilterelement	Air cleaner element
9	1	08-01376	Service kit pos 1 t.e.m. 8	Service kit pos 1 up to 8
10	1	STM0052	Spuitbus verf	Spray can paint



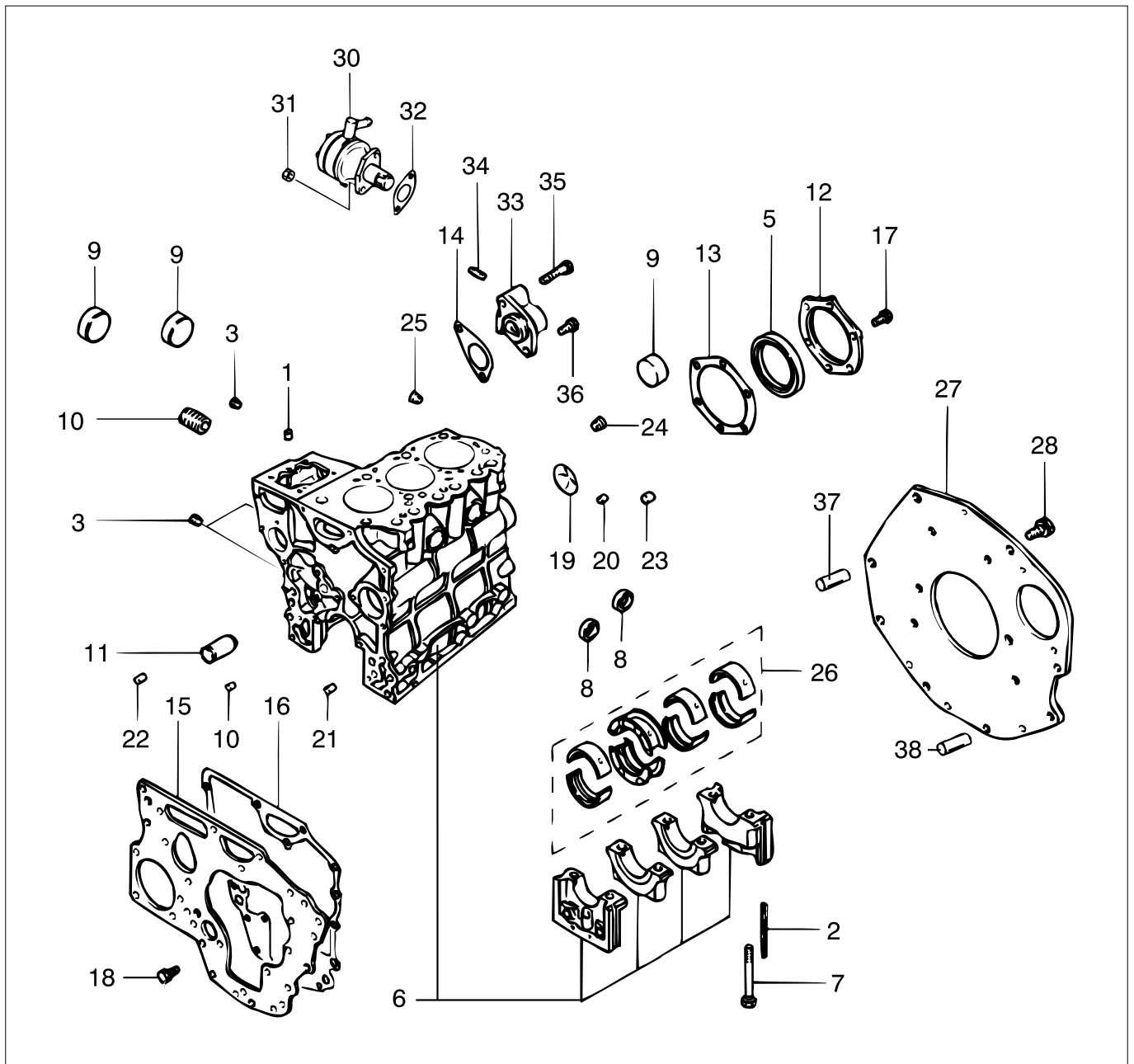


**M3.28 M3.29**

**Motorsteunen**

**Engine supports**

pos.	qty	part	benaming	description
1	2	STM6101	Motorsteun BB-SB	Engine support PS-SB
2	4	STM6102	Bout M10x1,25x90	Bolt M10x1.25x90
3	4	STM2022	Ring	Washer
4	4	K40	Flexibele motorsteun	Flexible engine mounting
5	8	STM4010	Moer M16x1,5	Nut M16x1.5
6	4	STM4011	Ring	Washer

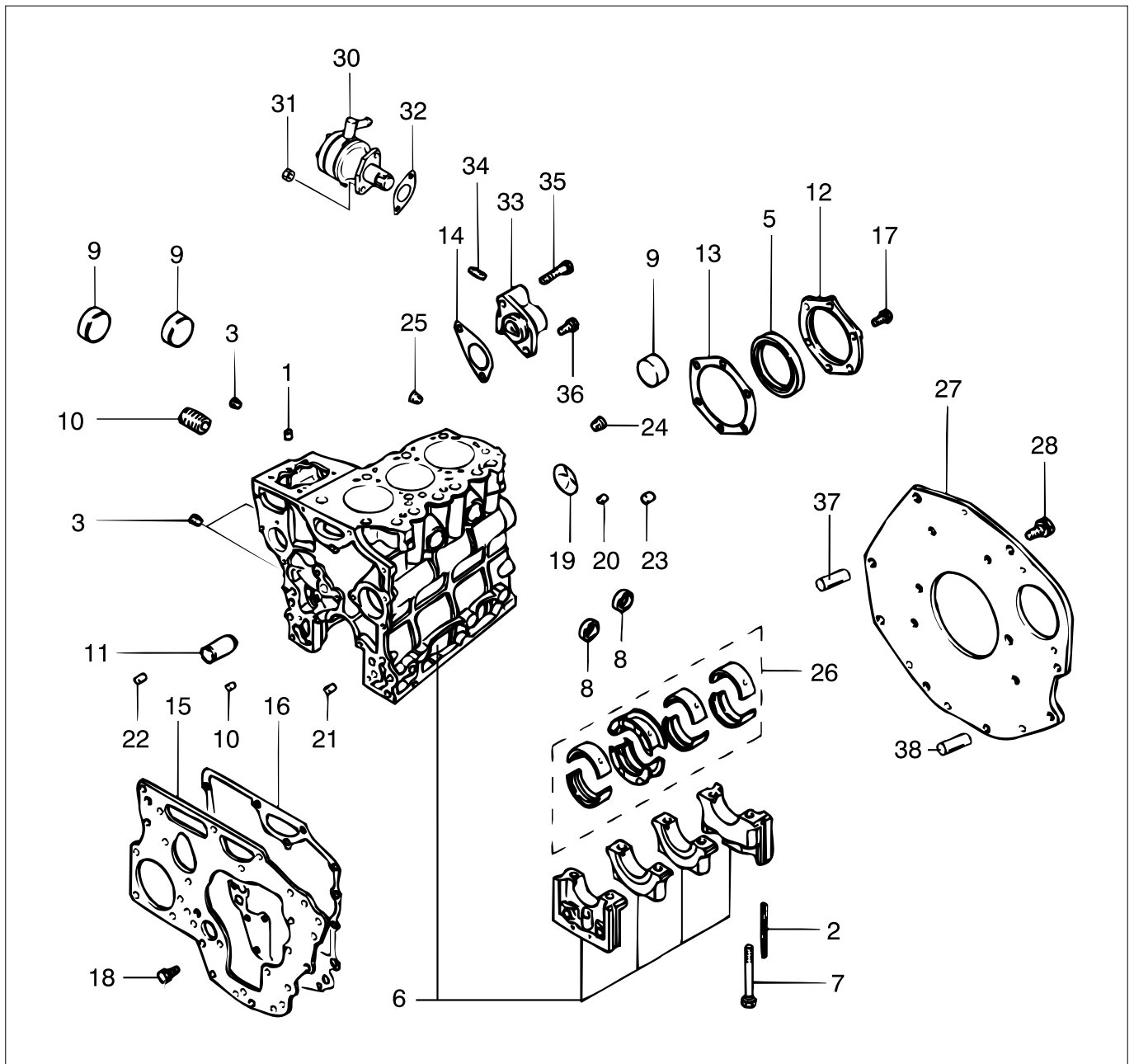


M3.28 M3.29

Motorblok

Crankcase

pos.	qty	part	benaming	description
1	2	STM1100	Pen	Pin
2	4	STM1101	Dichting	Seal
3	3	STM1102	Plug	Plug
5	1	STM1104	Keerring	Oil Seal
6	1	STM3970	Motorblok	Block Sub Assembly
7	8	STM1106	Bout	Bolt
8	2	STM1108	Plug	Cap sealing
9	3	STM1109	Plug	Cap sealing
10	1	STM3546	As, oliefilter	Shaft, oilfilter
11	1	STM1111	As	Shaft, idler
12	1	STM1112	Huis, oliekeerring	Oilseal case
13	1	STM3901	Pakking	Gasket oil seal case
14	1	STM1114	Pakking	Gasket
15	1	STM1115	Plaat	Front plate
16	1	STM3903	Pakking	Gasket front plate
17	6	STM1117	Bout	Bolt

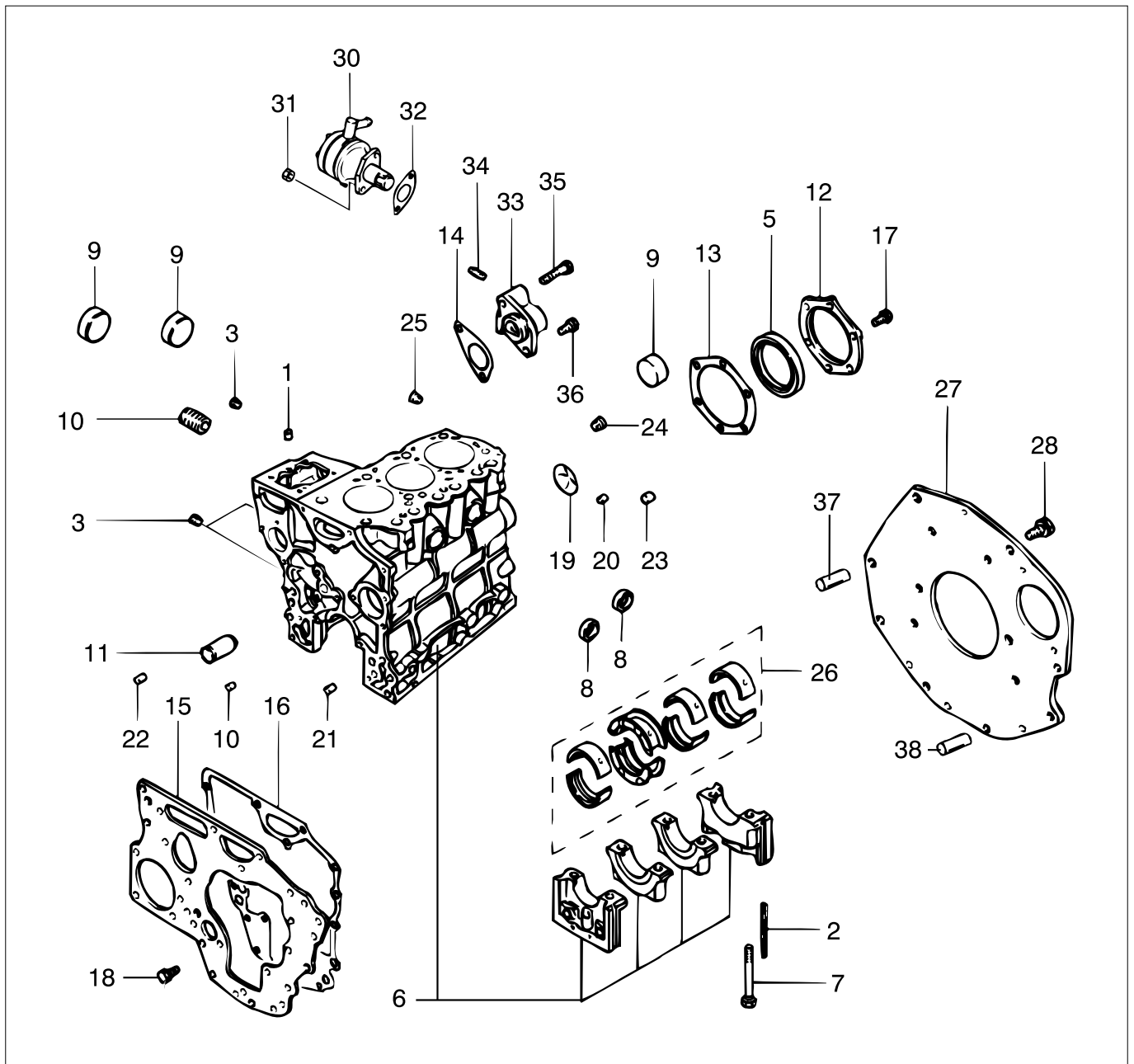


M3.28 M3.29

Motorblok

Crankcase

pos.	qty	part	benaming	description
18	7	STM1118	Bout	Bolt
19	1	STM1119	Plug	Plug
20	2	STM1120	Bus	Bushing
21	1	STM1121	Bus	Bushing
22	2	STM2510	Bus	Bushing
23	3	STM1122	Bus	Bushing
24	1	STM1123	Plug	Tapper,plug
25	1	STM2513	Plug	Tapper,plug
26	1	STM3904	Lagerset std.	Bearing set std.
	1	STM3905	Lagerset 0,25 ondermaat	Bearing set 0.25 u.s
	1	STM3906	Lager set 0,50 ondermaat	Bearing set 0.50 u.s
27	1	STM1125	Achterplaat	Rear plate
28	6	STM3549	Bout	Bolt
30	1	STM1127	Brandstofopvoer pomp	Pump assy fuel
31	2	STM3260	Moer	Nut
32	1	STM1128	Pakking	Gasket

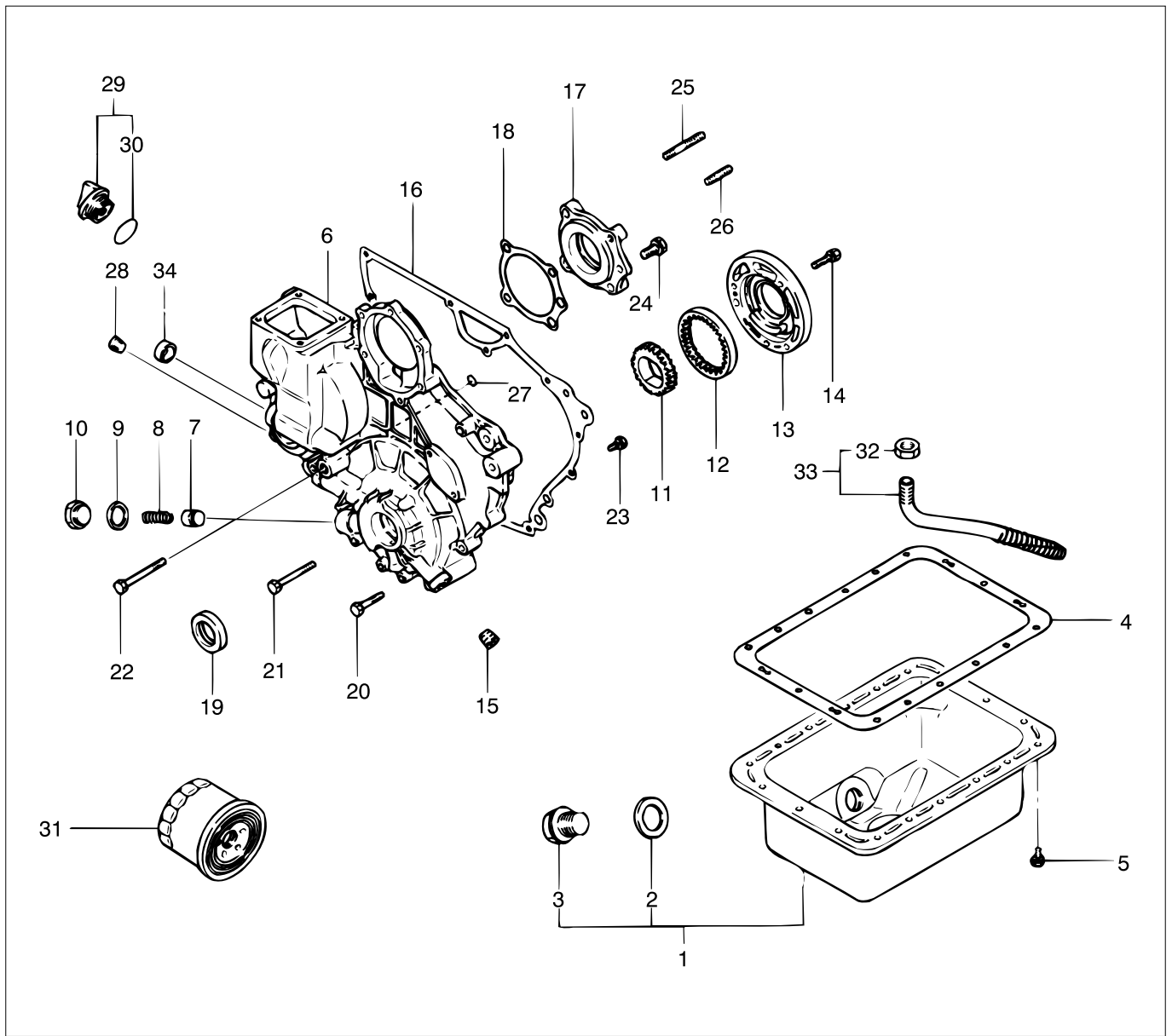


M3.28 M3.29

Motorblok

Crankcase

pos.	qty	part	benaming	description
33	1	STM9810	Adaptor, brandstofopvoer pomp	Adaptor, fuel lift pump
34	2	STM1130	Tapeind	Stud
35	1	STM2258	Bout	Bolt
36	1	STM3355	Bout	Bolt
37	1	STM2507	Pen 8x10 DIN 6325	Pin 8x10 DIN 6325
38	1	STM6279	Pen 8x18 DIN 6325	Pin 8x18 DIN 6325

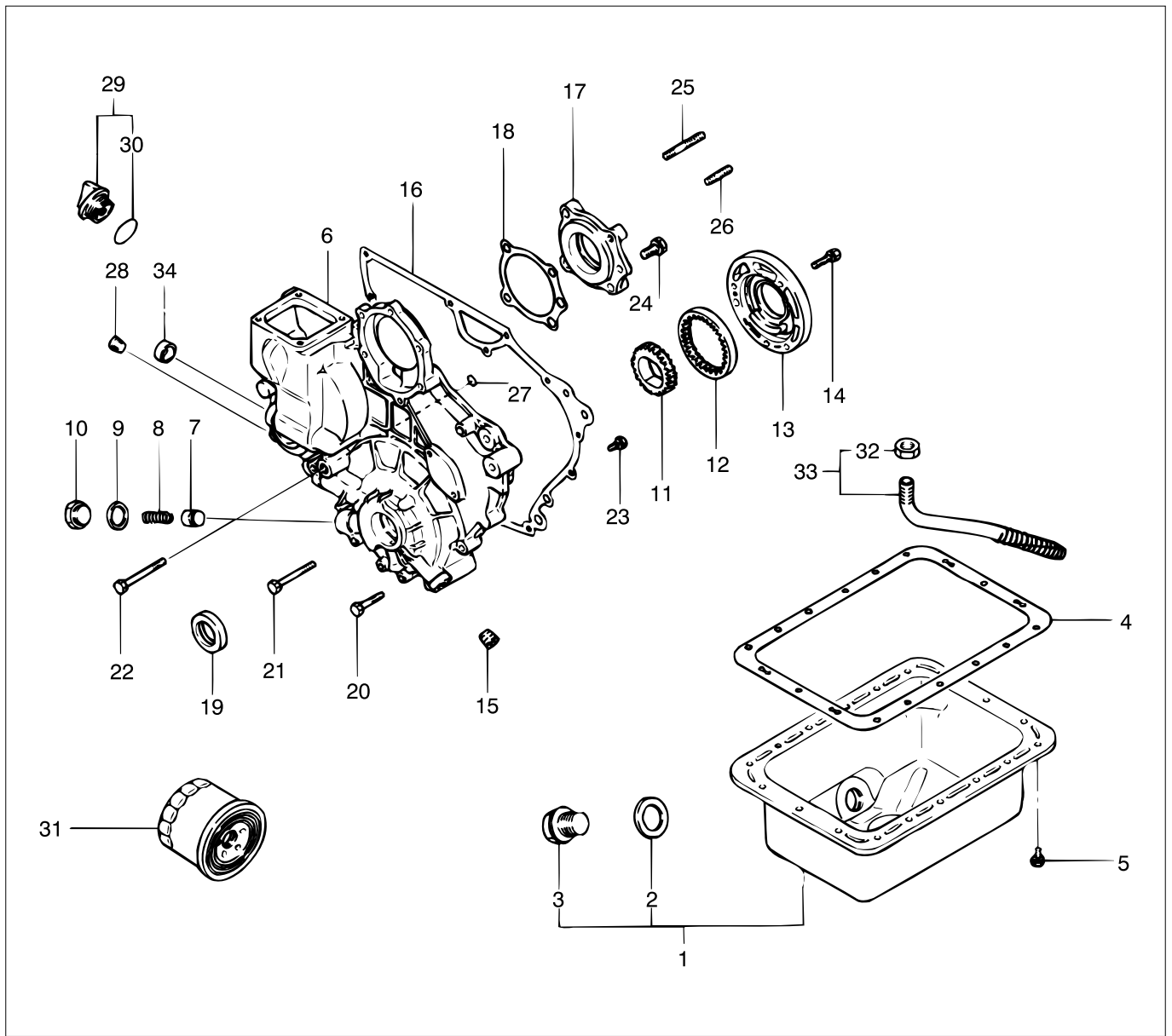


M3.28 M3.29

Carterpan + Oliepomp

Oil sump + Oil pump

pos.	qty	part	benaming	description
1	1	STM3907	Carterpan compleet	Pan assy
2	1	STM1133	Pakking	Gasket
3	1	STM1134	Plug	Plug
4	1	STM3908	Pakking,carterpan	Gasket,oil pan
5	18	STM3555	Bout	Bolt
6	1	STM3909	Huis	Case
7	1	STM1139	Klep	Relief,plunger
8	1	STM1140	Veer	Relief,spring
9	1	STM1141	Pakking	Gasket
10	1	STM1142	Plug	Plug
11	1	STM1143	Tandwiel	Gear
12	1	STM1144	Tandwiel	Gear
13	1	STM1145	Huis	Housing
14	3	STM2260	Bout	Bolt
15	1	STM1146	Plug	Plug,tapper
16	1	STM3910	Pakking	Gasket
17	1	STM1148	Huis	Housing
18	1	STM3911	Pakking	Gasket

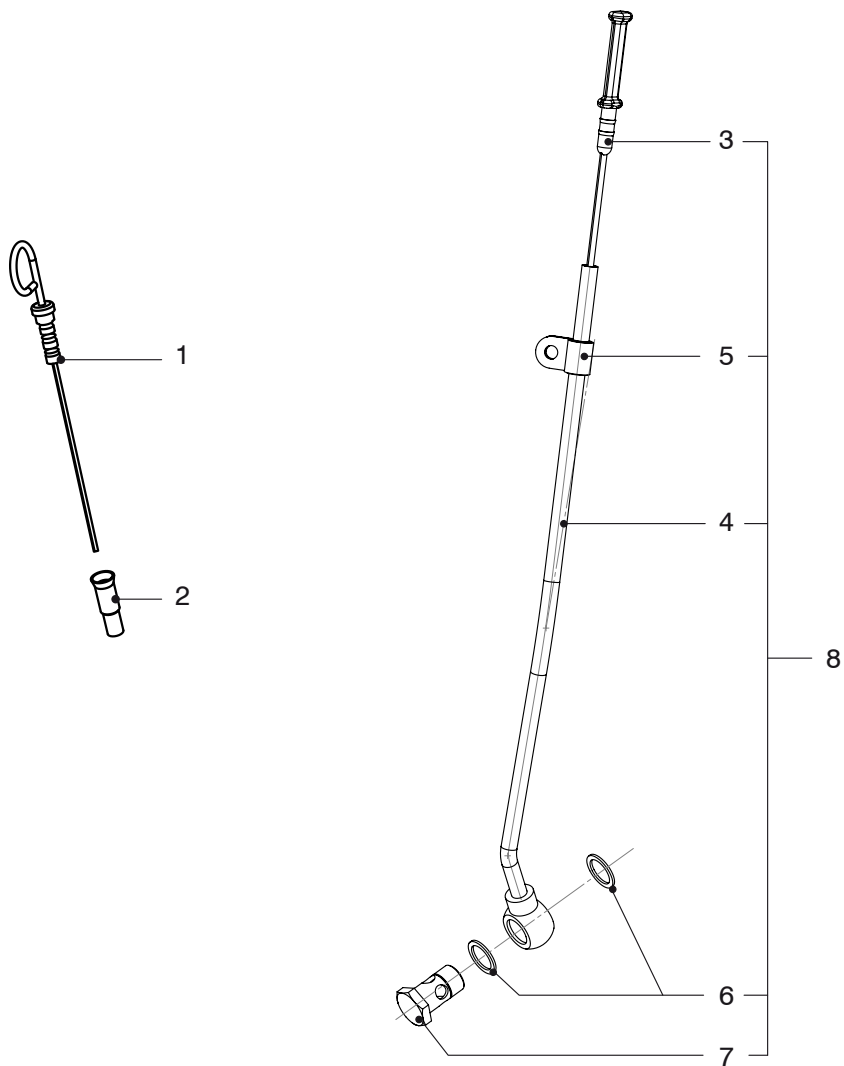


M3.28 M3.29

Carterpan + Oliepomp

Oil sump + Oil pump

pos.	qty	part	benaming	description
19	1	STM1150	Keerring	Oil seal
20	3	STM6155	Bout	Bolt
21	4	STM3562	Bout	Bolt
22	1	STM1151	Bout	Bolt
23	4	STM1118	Bout	Bolt
24	1	STM1610	Bout	Bolt
25	3	STM1153	Tapeind	Stud
26	1	STM1154	Tapeind	Stud
27	2	STM1155	O-ring	O-seal
28	1	STM1156	Plug	Cape sealing
29	1	STM3565	Vuldop + O-ring	Cap assy + O-ring
30	1	STM3566	O-ring	O-ring
31	1	STM0051	Olie filter	Oil filter
32	1	STM1157	Moer	Nut
33	1	STM1158	Aanzuigpijp	Oilstrainer
34	1	STM3974	Deksel	Cap, sealing

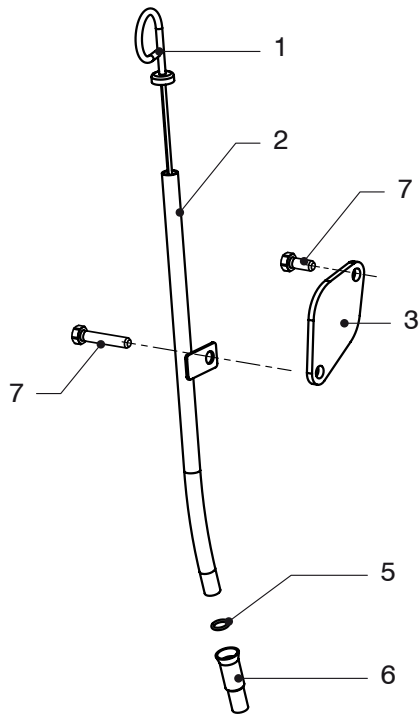


**M3.28**

**Peilstok**

**Oil dipstick**

pos.	qty	part	benaming	description
1	1	STM1126	Peilstok	Gauge
2	1	STM1103	Geleider	Guide
3	1	08-01067	Olie peilstok	Oil dipstick
4	1	08-01089	Pijp	Tube
5	1	STM6305	Klem	Clamp
6	2	STM3353	Afdichtring M18	Seal washer M18
7	1	STM8168	Banjobout M18x1,5	Banjo bolt M18x1.5
8	1	08-01090	Set verlengde peilstok	Set extended dipstick



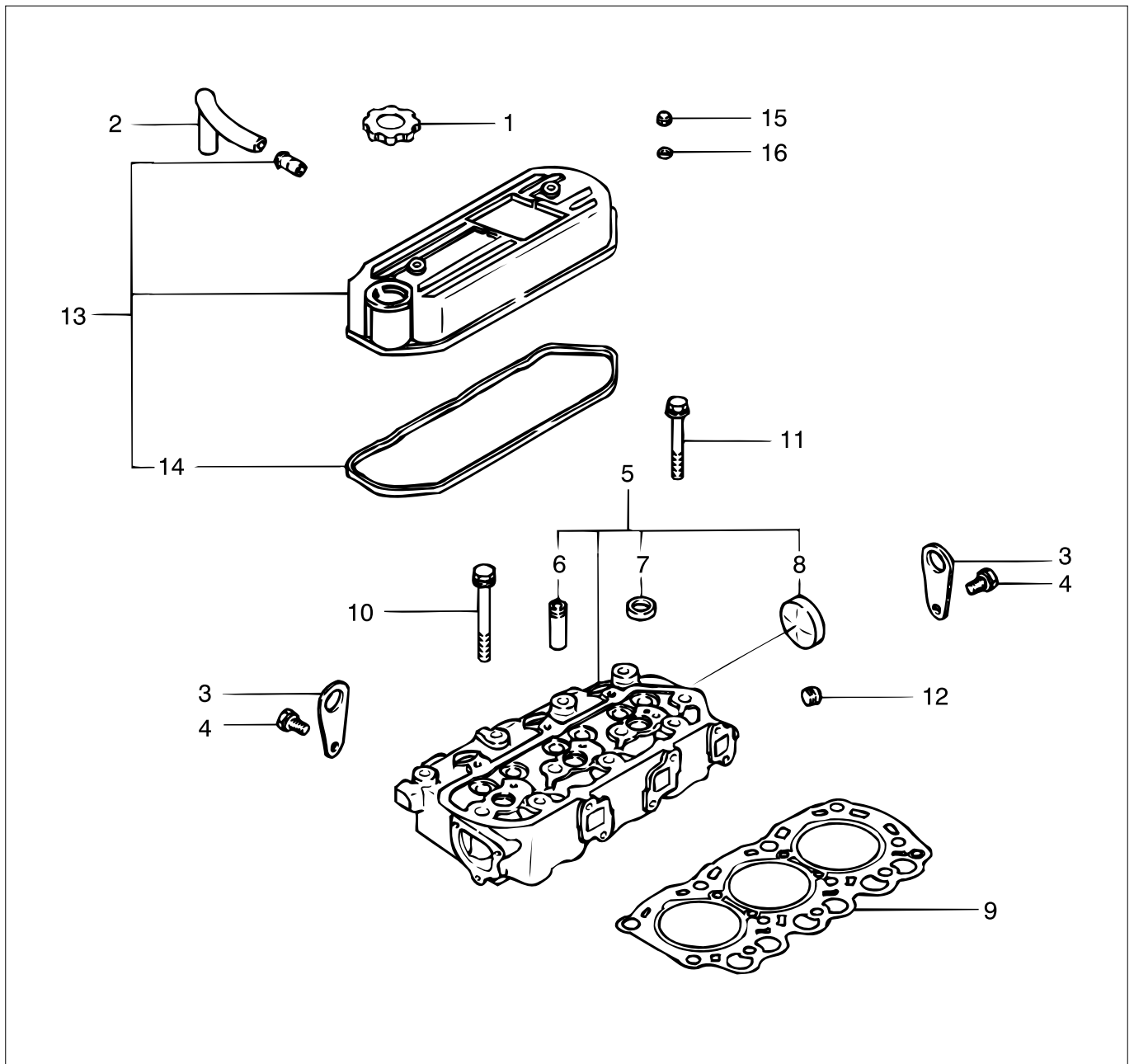
**M3.29**

**Peilstok**

**Oil dipstick**

pos.	qty	part	benaming	description
1	1	08-01369	Peilstok	Oil dipstick
2	1	08-01371	Pijp	Tube
3	1	08-01376	Deksel	Cover
4	1	08-01372	Bus	Bushing
5	1	08-01373	O-ring	O-ring
6	1	08-01377	Geleider	Guide
7	2	STM4045	Bout M8 x 15	Bolt M8 x 15



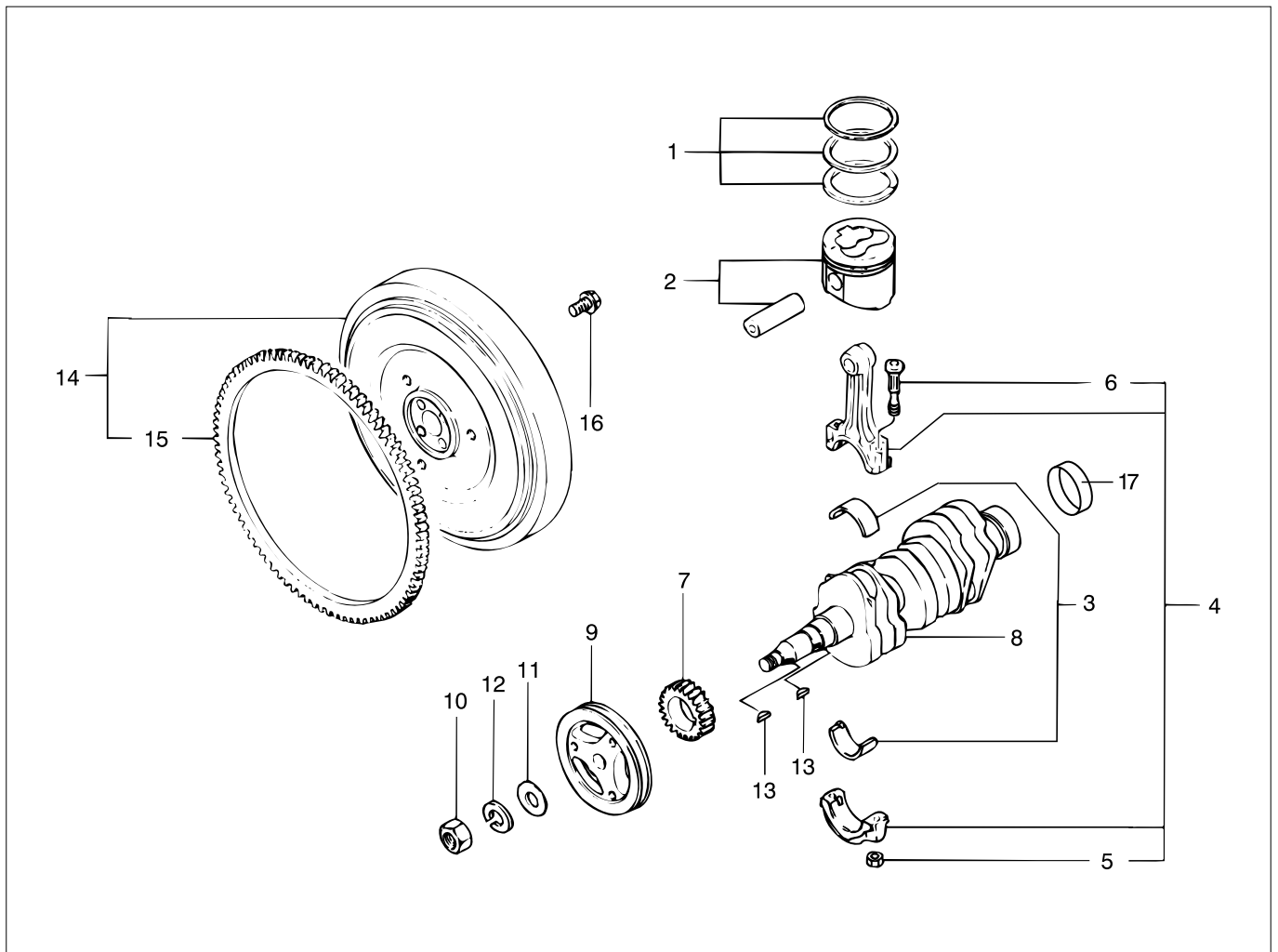


M3.28 M3.29

Cilinderkop

Cylinder head

pos.	qty	part	benaming	description
1	1	STM3912	Vuldop	Oil filler cap
2	1	STM1159	Slang	Hose
3	2	STM6254	Hijsoog	Hanger
4	2	STM1160	Bout	Bolt
5	1	STM9815	Cilinderkop cpl.	Cylinder head assy.
6	6	STM3914	Geleider	Guide
7	3	STM1163	Kap	Cap sealing
8	1	STM1164	Plug	Plug
9	1	STM3915	Cilinderkoppakking	Cylinder head gasket
10	8	STM1166	Bout	Bolt
11	3	STM1167	Bout	Bolt
12	1	STM1168	Plug	Plug
13	1	STM9821	Kleppendecksel cpl.	Rocker cover cpl.
14	1	STM9822	Klepdekselpakking	Rocker cover gasket
15	2	STM9823	Moer	Nut
16	2	STM9824	Ring	Washer

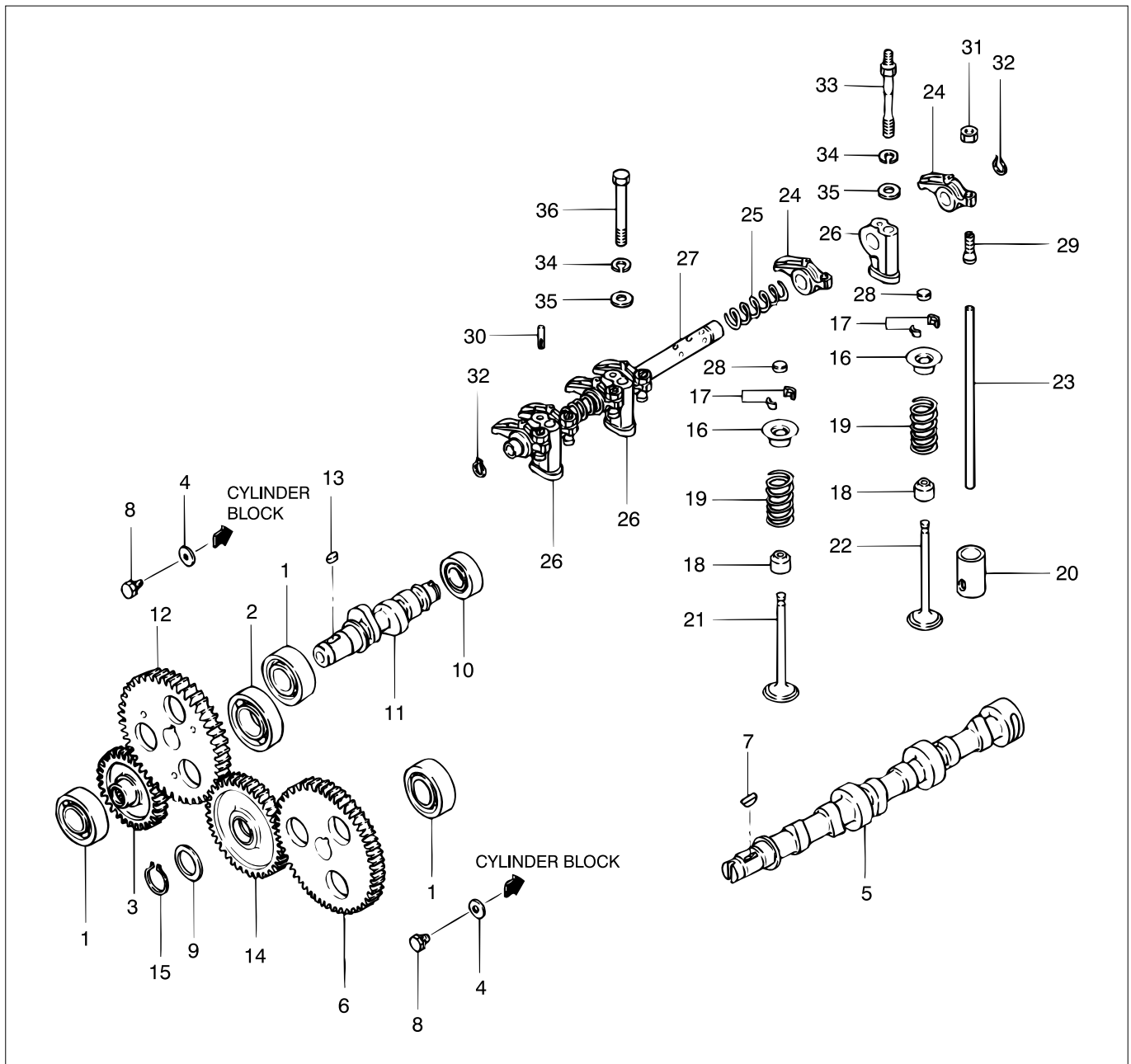


M3.28 M3.29

Krukas

Crankshaft

pos.	qty	part	benaming	description
1	3	STM9828	Ringenset std.	Ring set std.
	3	STM9829	Ringenset 0,25 overmaat	Ring set o.s. 0.25.
	3	STM9830	Ringenset 0,50 overmaat	Ring set o.s. 0.50
2	3	STM9825	Zuiger std.	Piston std.
	3	STM9826	Zuiger 0,25 overmaat	Piston 0,25 o.s.
	3	STM9827	Zuiger 0,50 overmaat	Piston 0,50 o.s.
3	3	STM1421	Lagerset std	Bearing set std.
	3	STM1422	Lagerset 0,25 ondermaat	Bearing set 0.25 u.s.
	3	STM1423	Lagerset 0,50 ondermaat	Bearing set 0.50 u.s.
4	3	STM1097	Drijfstang cpl.	Rod cpl.
5	6	STM2557	Moer	Nut
6	6	STM2558	Bout	Bolt
7	1	STM1179	Tandwiel	Gear
8	1	STM3918	Krukas	Crankshaft
9	1	STM3919	Pulley krukas	Pulley crankshaft
10	1	STM1182	Moer	Nut
11	1	STM1183	Ring	Washer
12	1	STM1184	Ring	Washer
13	2	STM1185	Spie	Key
14	1	STM3920	Vliegwiel cpl.	Flywheel assy
15	1	STM3600	Tandkrans	Gear
16	4	STM9831	Bout, vliegwiel	Bolt, flywheel
17	1	STM9007	Reparatiebus	Speedi sleeve

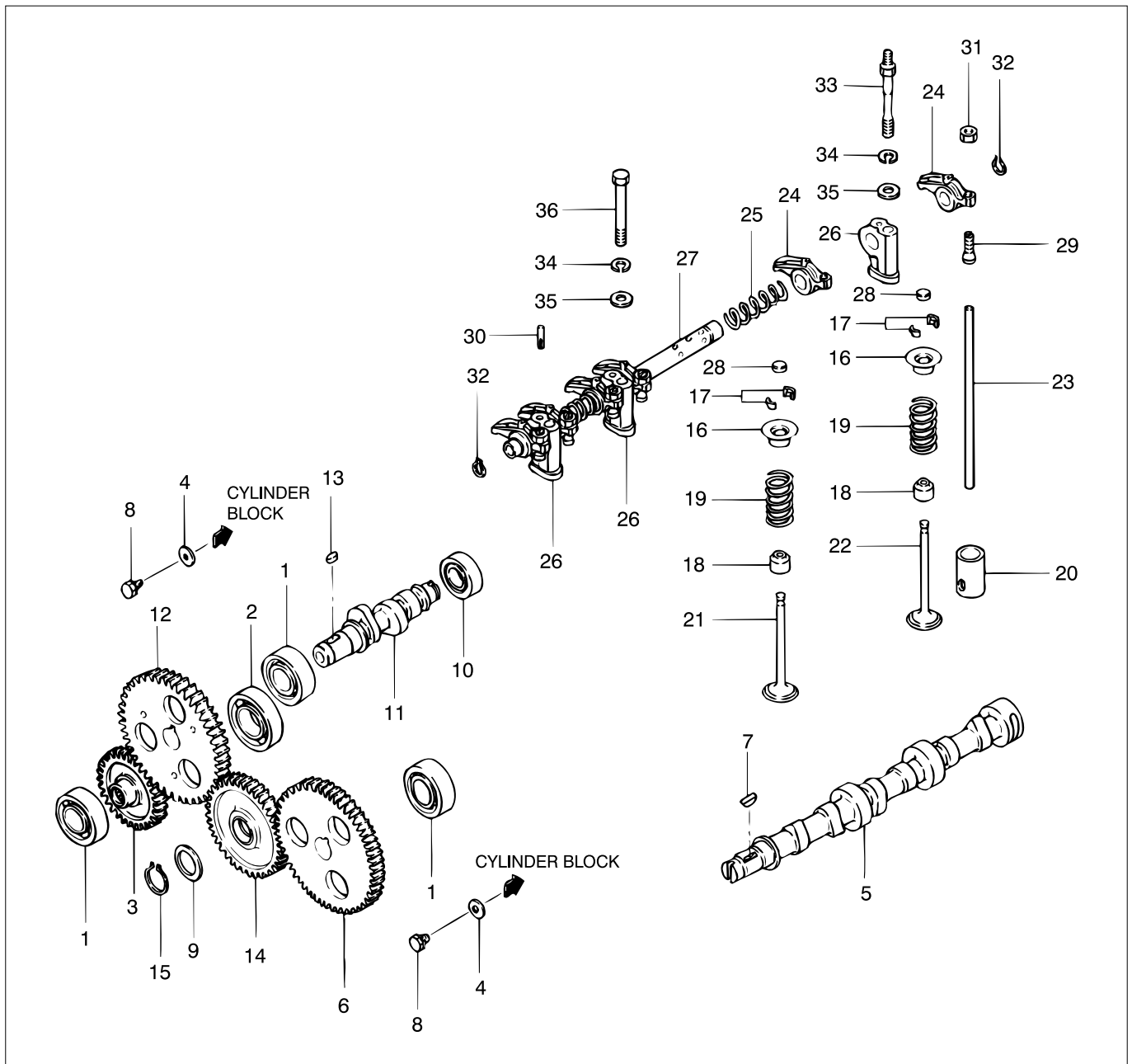


M3.28 M3.29

Distributie

Time Gear

pos.	qty	part	benaming	description
1	3	STM1198	Lager	Bearing
2	1	STM1189	Lager	Bearing
3	1	STM1190	Tandwiel	Gear
4	2	STM1191	Ring	Washer
5	1	STM9814	Nokkenas	Camshaft
6	1	STM1193	Tandwiel	Gear
7	1	STM3604	Spie	Key
8	2	STM1195	Bout	Bolt
9	1	STM1197	Ring	Washer
10	1	STM1199	Lager	Bearing
11	1	STM3922	As	Shaft
12	1	STM9834	Tandwiel	Gear
13	1	STM1202	Spie	Key
14	1	STM1204	Tandwiel cpl	Gear assy
15	1	STM1206	Ring	Washer
16	6	STM3620	Veerschotel	Retainer valve stem

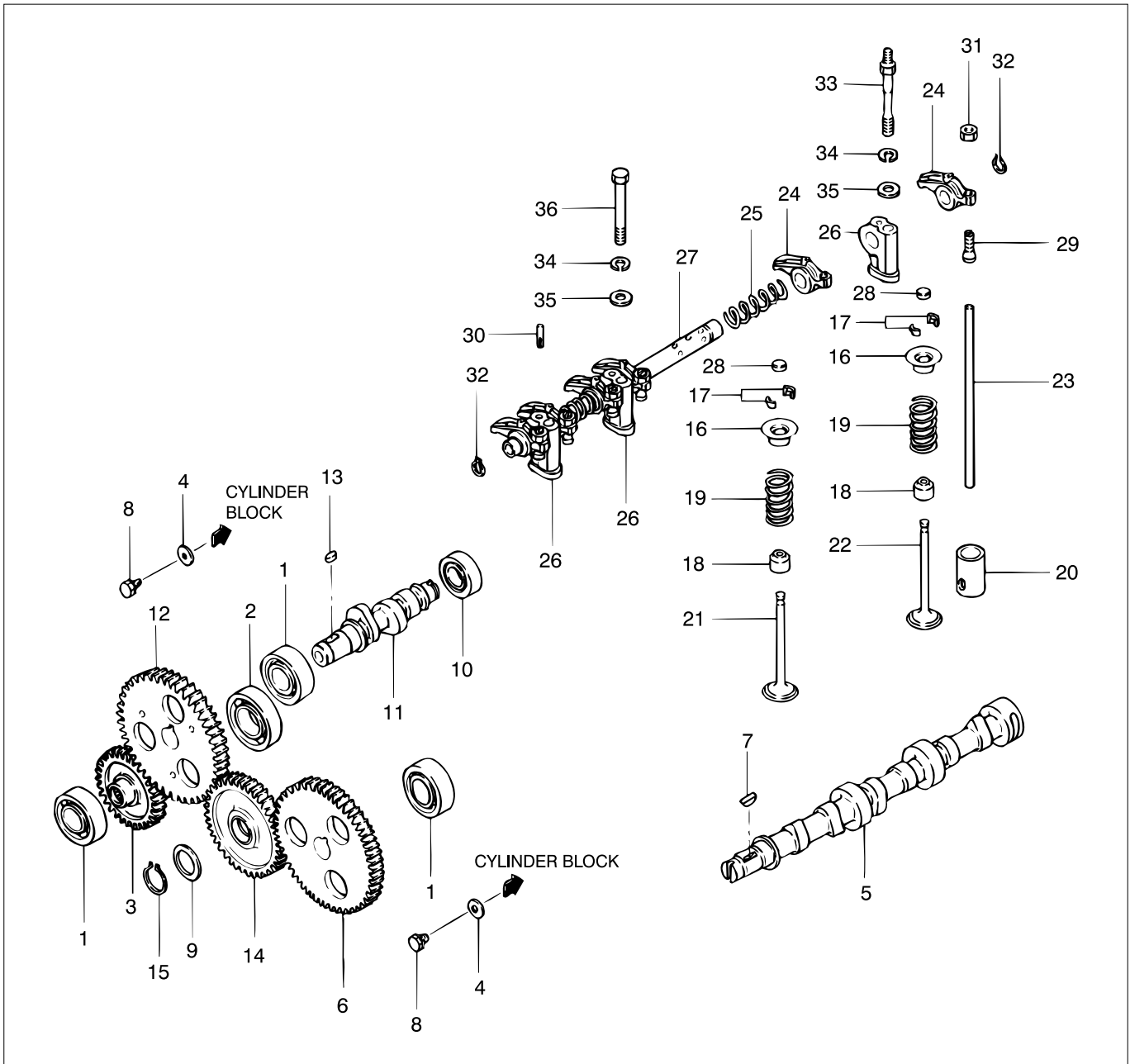


M3.28 M3.29

Distributie

Time Gear

pos.	qty	part	benaming	description
17	12	STM2588	Klepspie	Lock valve retainer
18	6	STM2589	Keerring	Seal
19	6	STM3923	Klepveer	Valve spring
20	6	STM1208	Klepstoter	Tappet
21	3	STM9818	Klep inlaat	Valve intake
22	3	STM9819	Klep uitlaat	Valve exhaust
23	6	STM1211	Stoterstang	Rod push
24	3	STM9811	Tuimelaar, uitlaat	Rocker arm, exhaust
	3	STM9812	Tuimelar, inlaat	Rockerarm. inlet
25	2	STM3612	Veer	Spring
26	3	STM9817	Steun tuimelaaras	Rocker shaft bracket
27	1	STM9816	As	Shaft
28	3	STM1213	Deksel, klepsteel	Cap, valve stem
29	6	STM1215	Schroef	Srew
30	1	STM1216	Pen	Pin
31	6	STM1217	Moer	Nut

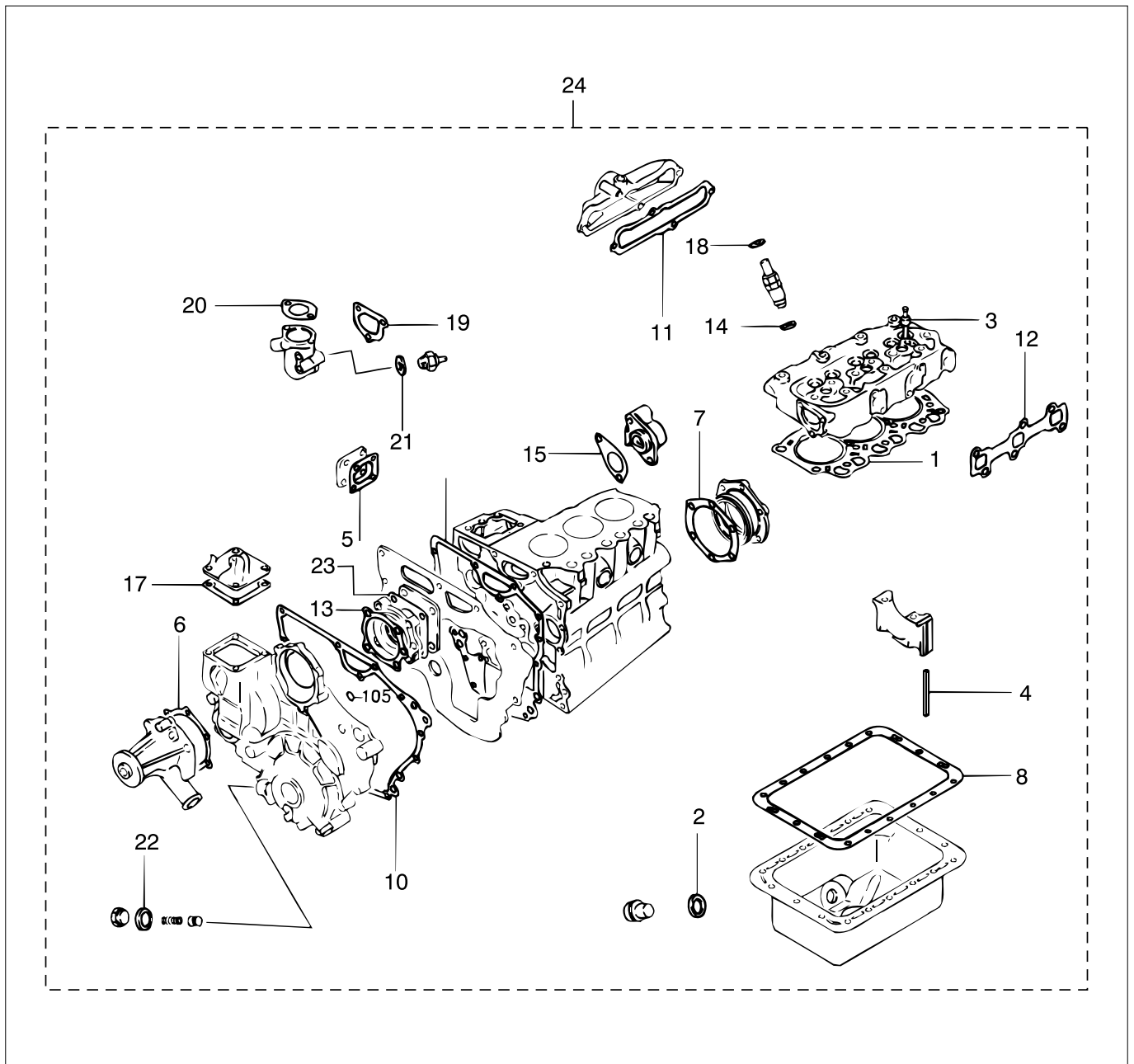


M3.28 M3.29

Distributie

Time Gear

pos.	qty	part	benaming	description
32	2	STM3614	Borg ring	Snap ring
33	2	STM9813	Bout	Bolt
34	3	STM1219	Ring	Washer
35	3	STM1220	Ring	Washer
36	1	STM3925	Bout	Bolt

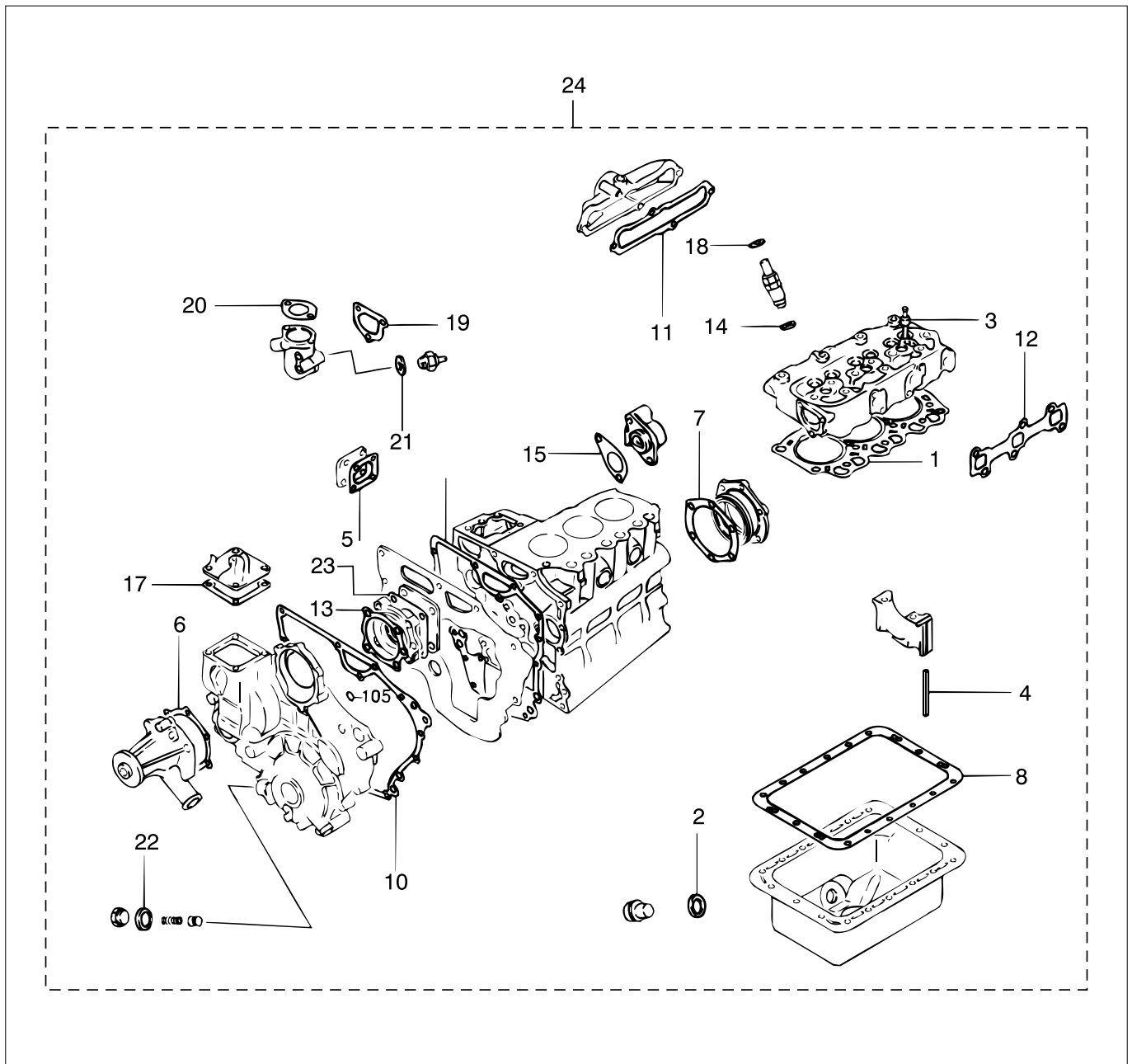


M3.28 M3.29

**Pakkingset**

**Gasket kit**

pos.	qty	part	benaming	description
1	1	STM3915	Cilinderkoppakking	Cylinder head gasket
2	2	STM1133	Pakking aftap plug	Gasket drain plug
3	6	STM2589	Keerring	Seal
4	4	STM1101	Dichting	Seal
5	1	STM3925	Pakking pomp deksel	Gasket tie rod cover
6	1	STM3926	Pakking waterpomp	Gasket waterpump
7	1	STM3901	Pakking achterplaat	Gasket oilcase
8	1	STM3908	Pakking carterpan	Gasket oilpan
9	1	STM3903	Pakking voorplaat	Gasket frontplate
10	1	STM3910	Pakking distributie deksel	Gasket gearcase
11	1	STM3927	Pakking luchtinlaat	Gasket air intake
12	1	STM9832	Pakking uitlaat	Gasket exhaust
13	1	STM3911	Pakking	Gasket
14	3	STM1299	Pakking verstuurhouder	Gasket nozzle holder
15	1	STM1114	Pakking	Gasket
16	2	STM1155	O-ring	O-ring

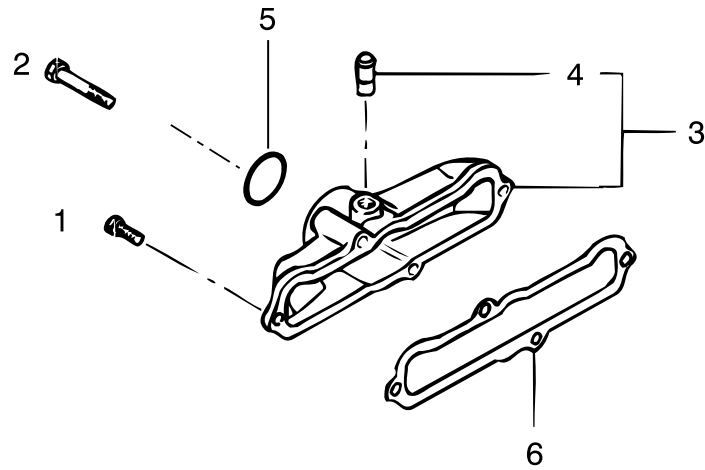


M3.28 M3.29

**Pakkingset**

**Gasket kit**

pos.	qty	part	benaming	description
17	1	STM1354	Pakking	Gasket
18	3	STM1303	Pakking	Gasket
19	1	STM3967	Pakking	Gasket
20	1	STM6251	Pakking thermostaathuis	Gasket thermostate housing
21	1	STM6269	Ring	Ring
22	1	STM1141	Pakking	Gasket
23	1	STM2526	Pakking oliepompdeksel	Gasket oil pump cover
24	1	STM3900	Pakkingset	Gasket kit



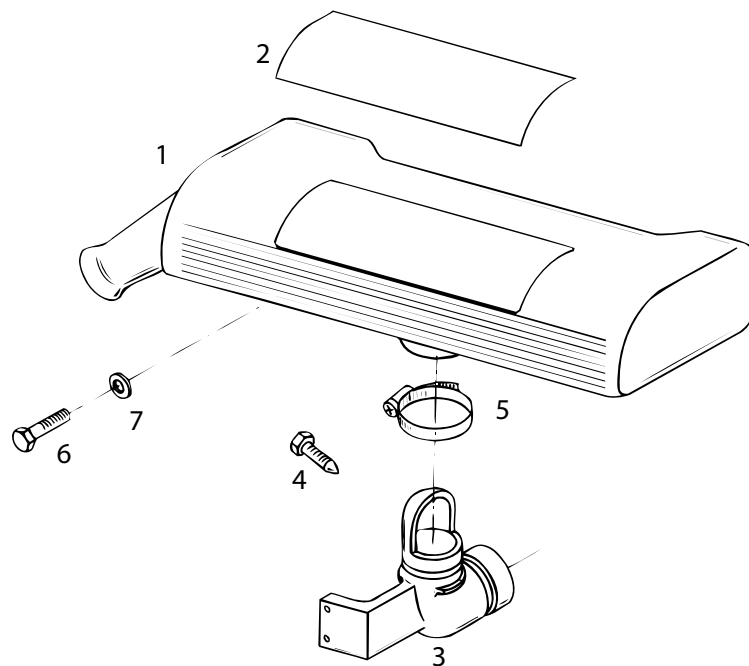
**M3.28 M3.29**

**Luchtinlaat**

**Air intake**

pos.	qty	part	benaming	description
1	2	STM1222	Bout	Bolt
2	2	STM1223	Bout	Bolt
3	1	STM3929	Deksel inlaat	Cover inlet
4	1	STM1225	Pijp	Pipe
5	1	STM6120	O-ring 36x3,5	O-ring 36x3,5
6	1	STM3927	Pakking inlaat	Gasket intake



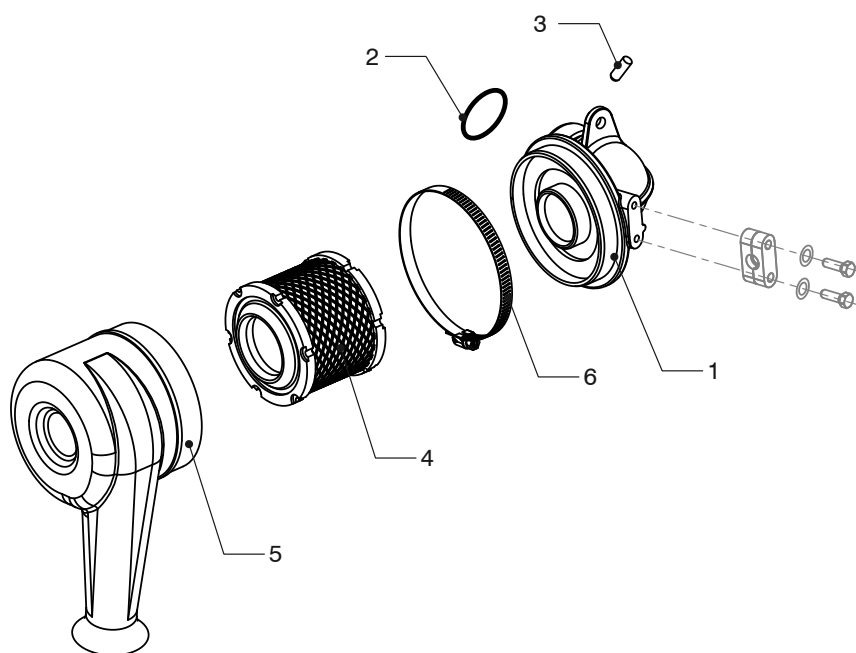


**M3.28**

**Luchtinlaatkast 2014 <-**

**Air intake housing 2014 <-**

pos.	qty	part	benaming	description
1	1	STM6289	Luchtinlaatkast	Air intake housing
2	1	STM6099	Sticker	Sticker
3	1	STM6114	Luchtinlaat bocht	Air intake bend
4	1	STM6139	Stelschroef M6x12	Setting screw M6x12
5	1	STM3012	Slangklem 38x50	Hose clamp 38x50
6	1	STM3355	Bout M8x20	Bolt M8x20
7	1	STM3749	Ring	Washer

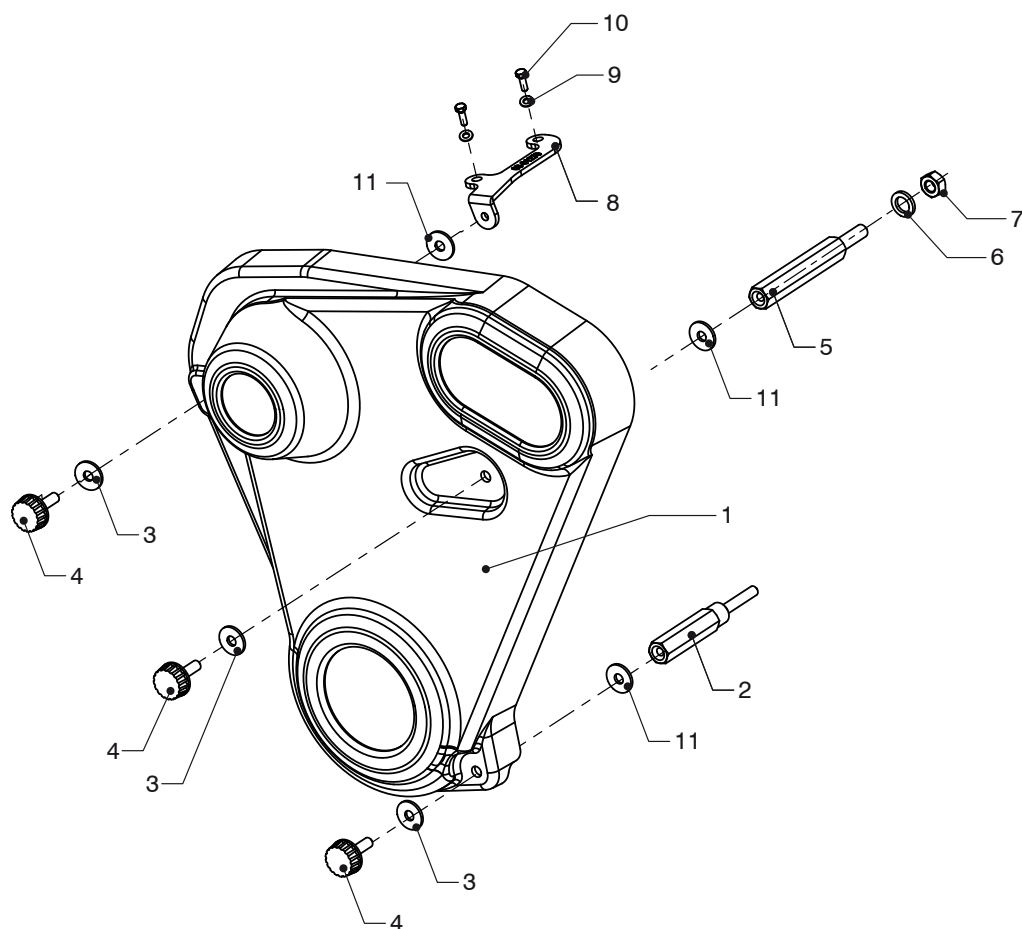


**M3.29**

**Luchtfilter**

**Air cleaner**

pos.	qty	part	benaming	description
1	1	08-01266	Luchtinlaat bocht	Air intake elbow
2	1	STM6120	O-ring 36x3,5	O-ring 36x3,5
3	1	STM6139	Stelschroef M6x12	Setting screw M6x12
4	1	08-01308	Luchtfilter element	Air cleaner element
5	1	08-01267	Luchtfilter behuizing	Air cleaner case
6	1	08-01330	Slangklem 70-90	Hose clamp 70-90



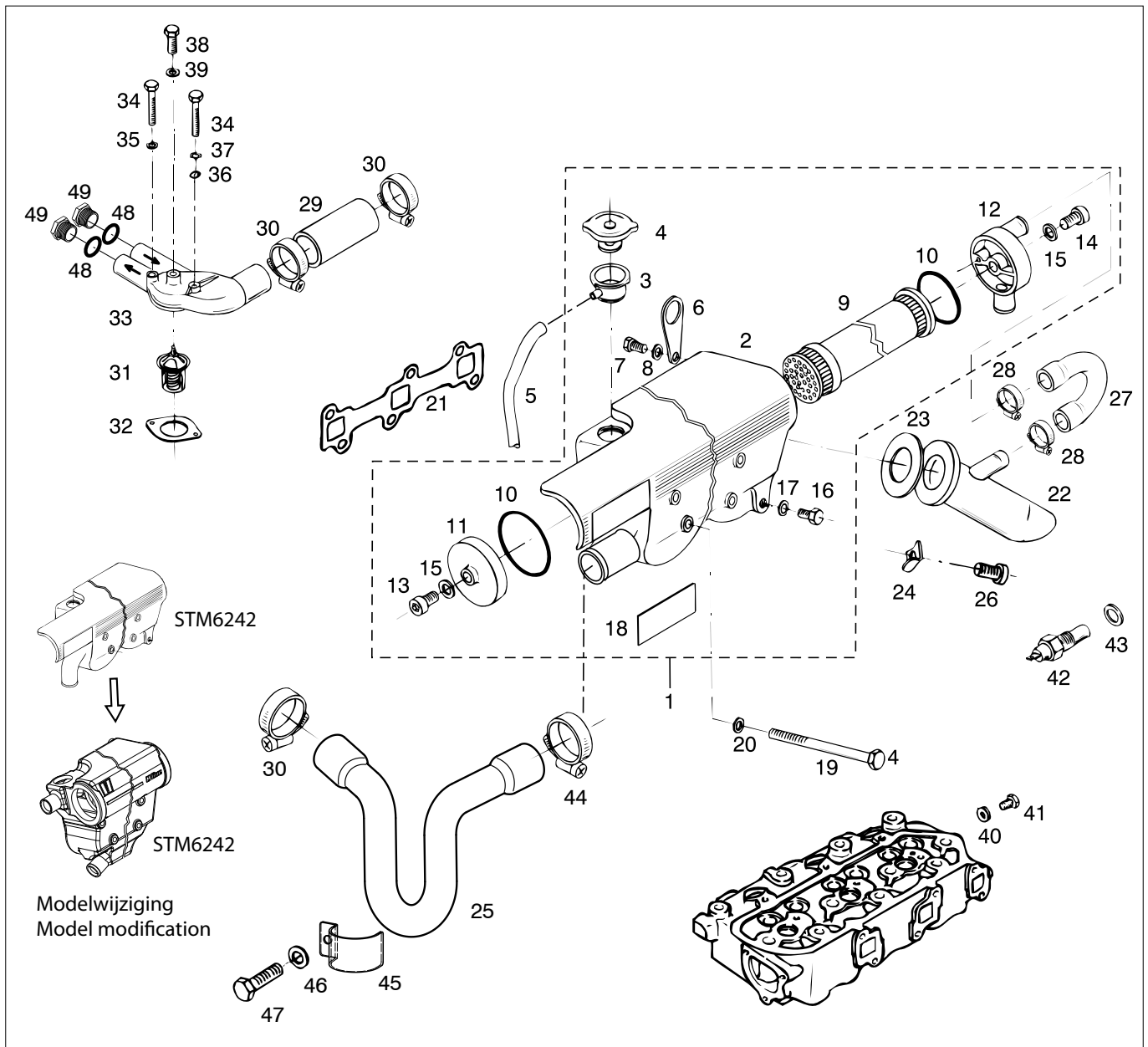
**M3.29**

**Afschermkap**

**Protection cover**

pos.	qty	part	benaming	description
1	1	08-01275	Afschermkap	Protection cover
2	1	08-01276	Afstandsstuk L=61 (10 Nm)	Spacer L=61 (10 Nm)
3	3	STM8726	Ring M6 3D	Washer M6 3D
4	3	08-01277	Draaiknop	Turning knob
5	1	08-01278	Afstandsstuk L=77	Spacer L=77
6	1	STM1056	Veerring M8	Spring washer M8
7	1	STM2005	Moer M8	Nut M8
8	1	08-01279	Steun	Support
9	2	STM8568	Gegolfde veerring M6	Wave spring washer M6
10	2	STM1024	Bout M6x16 (5 Nm)	Bolt M6x16 (5 Nm)
11	3	08-01292	Antiverliesring	Anti-loss ring



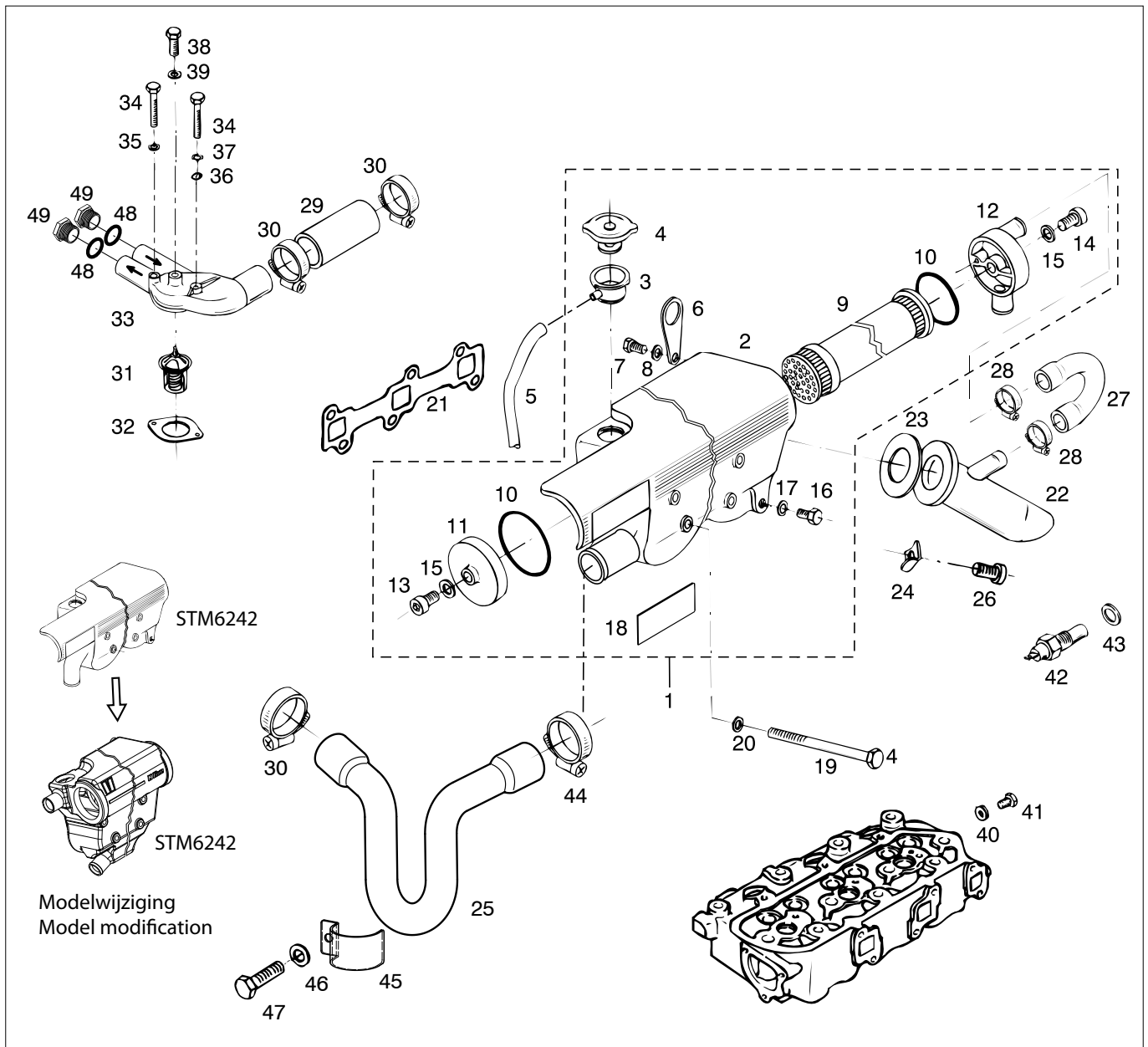


**M3.28**

**Warmtewisselaar units**

**Heat exchanger units**

pos.	qty	part	benaming	description
1	1	STM6243	Warmtewisselaar compl.	Heatexchanger housing compl.
2	1	STM6242	Warmtewisselaar huis	Heatexchanger housing
3	1	STM1515	Vulnek	Filler neck
4	1	STM1017	Vuldop 0,5 Bar	Filler cap 0.5 Bar
5	1	STM1027	Slang	Hose
6	1	STM6254	Hijsoog	Lifting eye
7	1	STM3355	Bout M8x20	Bolt M8x20
8	1	STM1056	Ring	Washer
9	1	STM6281	Pijpenbundel	Tube stack
10	2	STM6113	O-ring 61x2,5	O-ring 61x2.5
11	1	STM7446	Deksel	Cover
12	1	STM6131	Deksel	Cover
13	1	STM7648	Inbusbout M8x20, lage kop	Allen screw M8x20 low head
14	1	STM1006	Inbus bout M8x30	Allen screw M8x30
15	2	08-01108	Ring, fiber	Washer, fibre
16	1	STM1059	Plug M14x1,5	Plug M14x1.5
17	1	STM1062	Ring	Washer

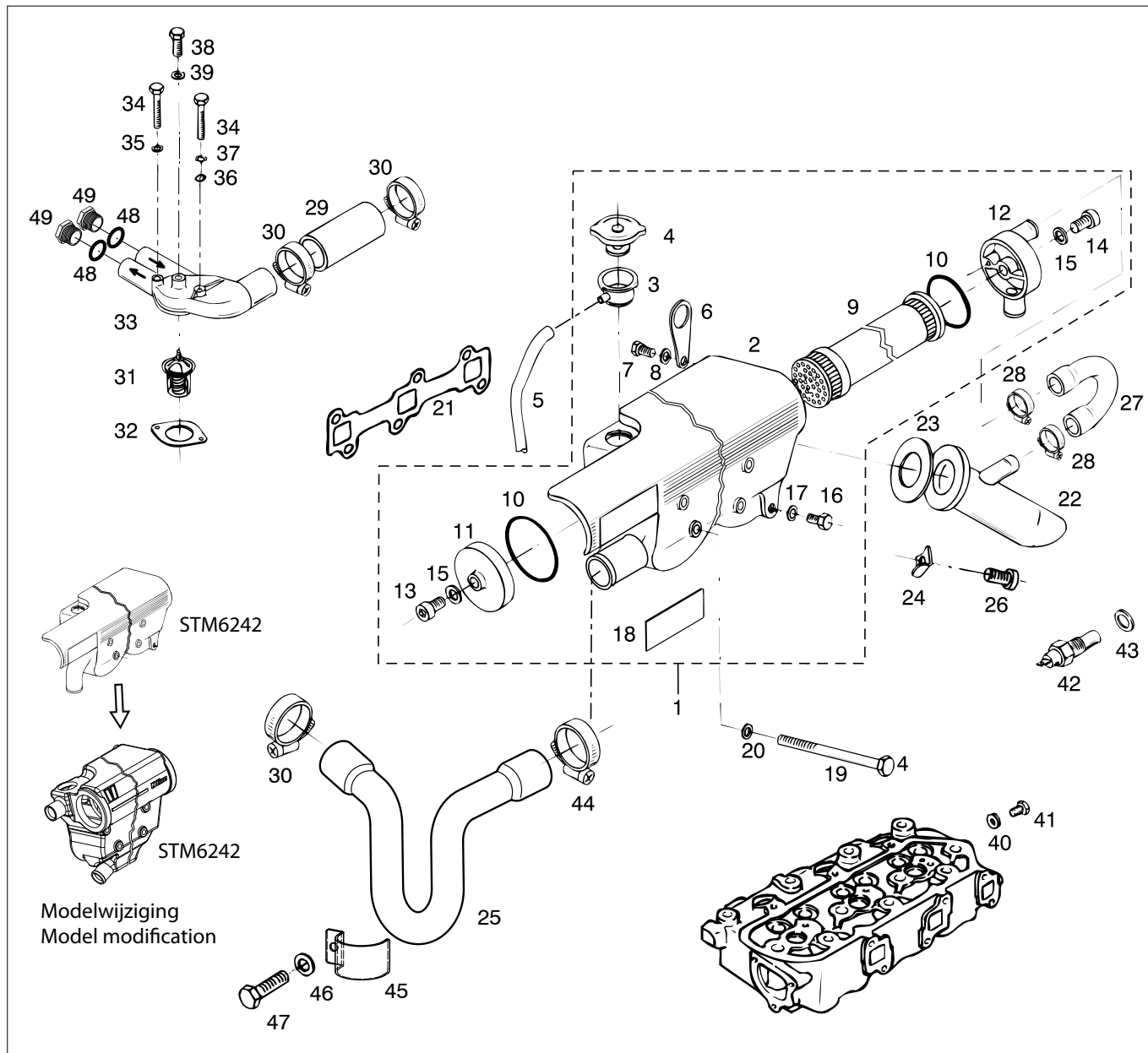


### M3.28

### Warmtewisselaar units

### Heat exchanger units

pos.	qty	part	benaming	description
18	1	STM6157	Logoplaatje	Logo plate
19	6	STM6121	Bout M8x110	Bolt M8x110
20	6	STM1019	Ring	Washer
21	1	STM9832	Uitlaatpakking	Exhaust gasket
22	1	STM6117	Uitlaat inject. bocht ø 40	Exhaust injection bend ø 40
23	1	STM6152	Pakking	Gasket
24	3	STM6126	Kikkerplaatje	Clamp plate
25	1	STM6178	Slang	Hose
26	3	STM6299	Inbusbout M8x20	Allen screw M8x20
27	1	STM6124	Rubber bocht	Rubber bend
28	2	STM2012	Slangklem 19-28	Hose clamp 19-28
29	1	STM6138	Slang	Hose
30	3	STM6116	Slangklem 26-38	Hose clamp 26-38
31	1	STM6250	Thermostaat 82°C	Thermostat 82°C
32	1	STM6251	Pakking	Gasket
33	1	STM6112	Thermostaat huis	Thermostat housing
34	2	STM6155	Bout M6x35	Bolt M6x35

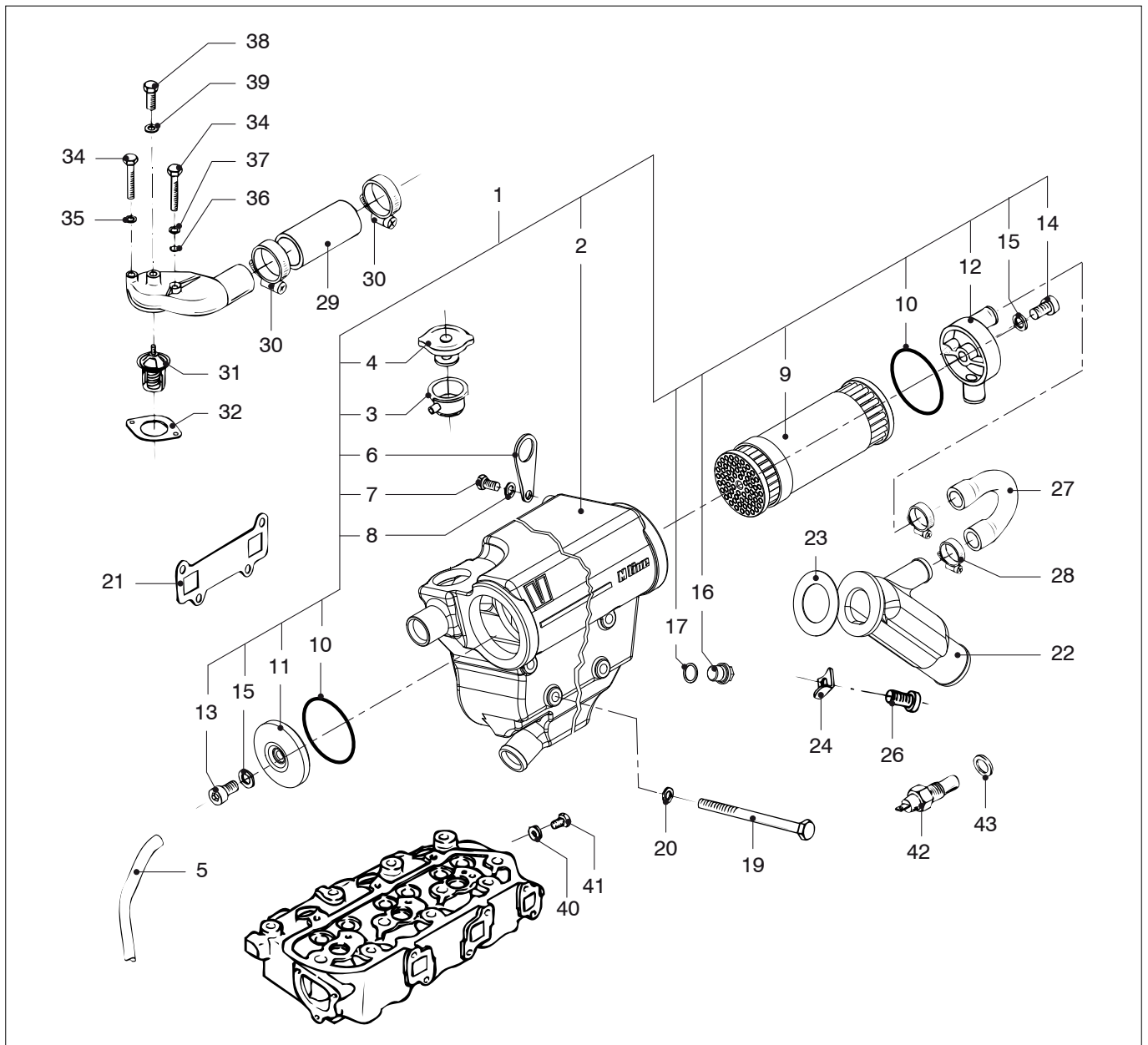


### M3.28

### Warmtewisselaar units

### Heat exchanger units

pos.	qty	part	benaming	description
35	1	STM1025	Ring	Washer
36	1	STM6118	O-ring 6x2	O-ring 6x2
37	1	STM6156	Ring	Washer
38	1	STM6147	Bout M10x1,5x12	Bolt M10x1.5x12
39	1	STM2018	Ring	Washer
40	1	STM1007	Ring	Washer
41	1	STM3796	Bout M8x1,25x10	Bolt M8x1.25x10
42	1	STM2006	Temperatuur schakelaar 75°C M18x1,5 1p	Thermoswitch 75°C M18x1.5 1p
43	1	STM2019	Ring	Washer
44	1	STM6262	Slangklem 25-40 mm	Hose clamp 25-40 mm
45	1	STM6346	Zadel	Clamp
46	1	STM8568	Gegolfde veerring M6	Wave spring washer M6
47	1	STM1029	Bout M6	Bolt M6
48	2	STM6617	Afdichtring	Seal washer
49	2	STM7285	Plug G 3/8	Plug G 3/8



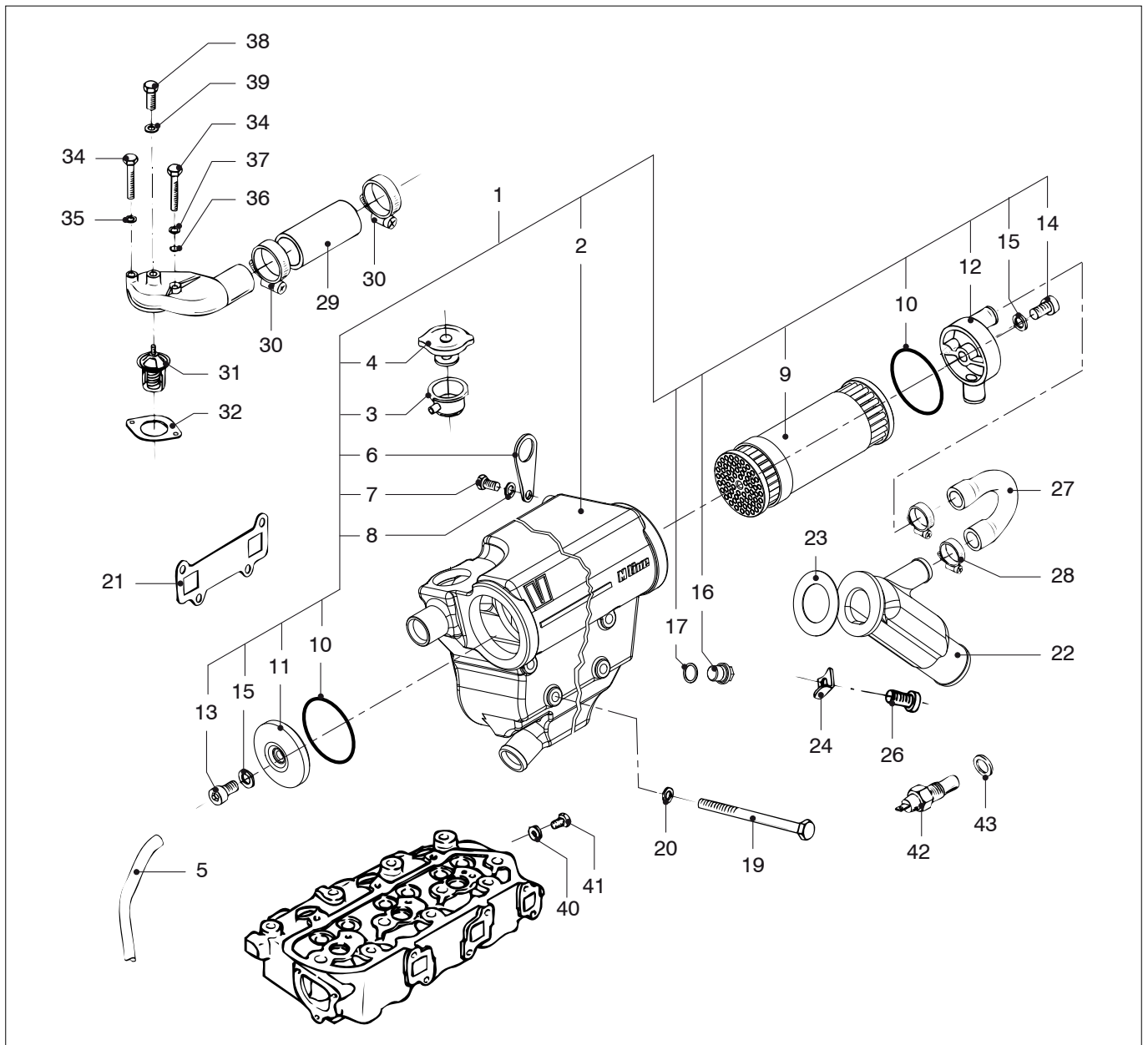
**M3.28 M3.29**

**Warmtewisselaar units**

**Heat exchanger units**

pos.	qty	part	benaming	description
1	1	STM6243	Warmtewisselaar compl.	Heatexchanger housing compl.
2	1	STM6242	Warmtewisselaar huis	Heatexchanger housing
3	1	STM1515	Vulnek	Filler neck
4	1	STM1017	Vuldop 0,5 Bar	Filler cap 0.5 Bar
5	1	STM1027	Slang	Hose
6	1	STM6254	Hijsoog	Lifting eye
7	1	STM3355	Bout M8x20	Bolt M8x20
8	1	STM1056	Ring	Washer
9	1	STM6128	Pijpenbundel	Tube stack
10	1	STM6113	O-ring 61x2,5	O-ring 61x2.5
11	1	STM7446	Deksel (metaal)	Cover (metal)
12	1	STM6131	Deksel (metaal)	Cover (metal)
13	1	STM7648	Inbus bout M8x20, lage kop	Allen screw M8x20, low head
14	1	STM1006	Inbus bout M8x30	Allen screw M8x30
15	2	08-01108	Ring, fiber	Washer, fibre
16	1	STM1059	Plug M14x1,5	Plug M14x1.5
17	1	STM1062	Ring	Washer



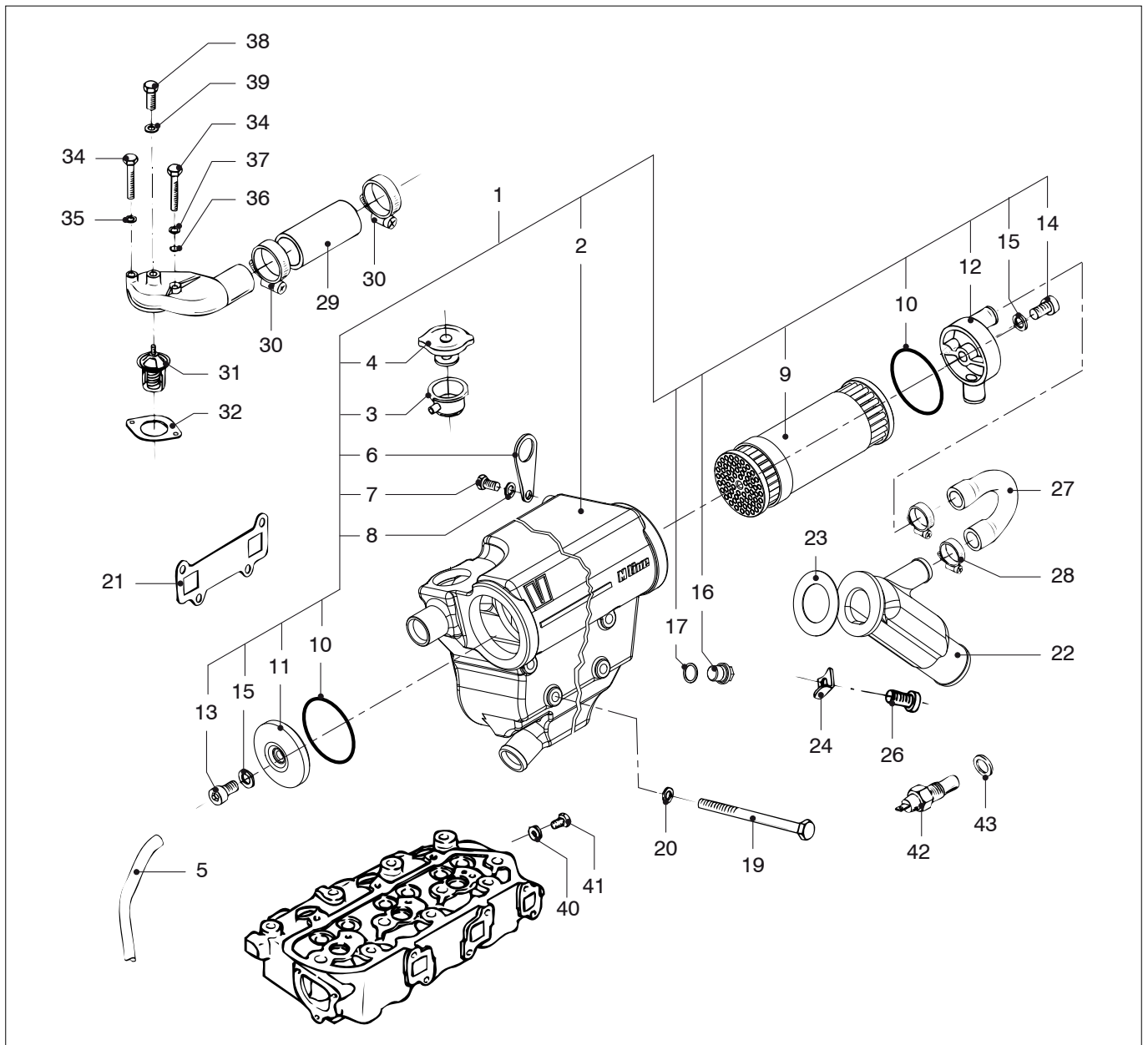


M3.28 M3.29

Warmtewisselaar units

Heat exchanger units

pos.	qty	part	benaming	description
18	1	STM6157	Logoplaatje	Logo plate
19	4	STM6121	Bout M8x110	Bolt M8x110
20	4	STM1019	Ring	Washer
21	1	STM6252	Pakking	Gasket
22	1	STM6117	Uitlaat inject. bocht ø40	Exhaust injection bend ø40
23	1	STM6152	Pakking	Gasket
24	3	STM6126	Kikkerplaatje	Clamp plate
26	3	STM6299	Inbusbout M8x20	Allen screw M8x20
27	1	STM6124	Rubber bocht	Rubber bend
28	2	STM2012	Slangklem 19-28	Hose clamp 19-28
29	1	STM6138	Slang	Hose
30	2	STM6116	Slangklem 26-38	Hose clamp 26-38
31	1	STM6250	Thermostaat 71°C	Thermostat 71°C
32	1	STM6251	Pakking	Gasket
33	1	STM6112	Thermostaat huis	Thermostat housing
34	2	STM6155	Bout M6x35	Bolt M6x35
35	1	STM1025	Ring	Washer

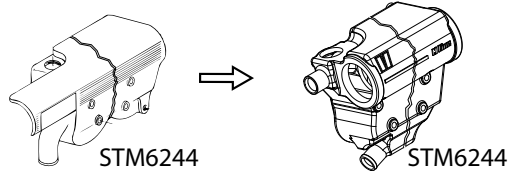
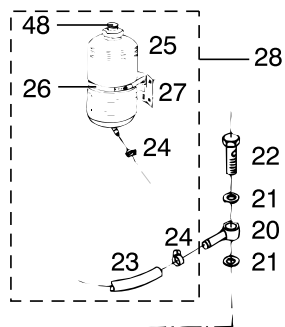


M3.28 M3.29

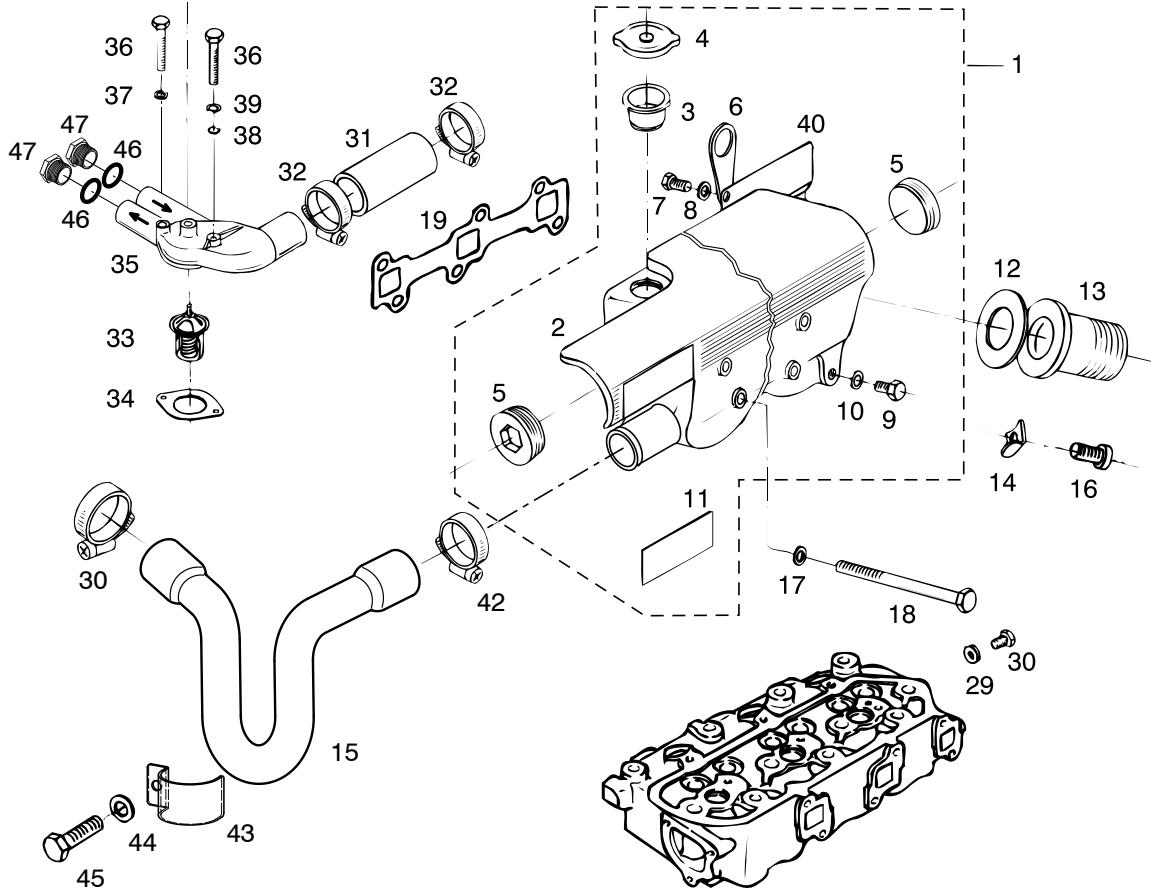
Warmtewisselaar units

Heat exchanger units

pos.	qty	part	benaming	description
36	1	STM6118	O-ring 6x2	O-ring 6x2
37	1	STM6156	Ring	Washer
38	1	STM6147	Bout M10x1,5x12	Bolt M10x1.5x12
39	1	STM2018	Ring	Washer
40	1	STM1007	Ring	Washer
41	1	STM3796	Bout M8x1,25x10	Bolt M8x1.25x10
42	1	STM2006	Temperatuur schakelaar 75°C M18x1,5 1p	Thermoswitch 75°C M18x1.5 1p
43	1	STM2019	Ring	Washer



Modelwijziging  
Model modification

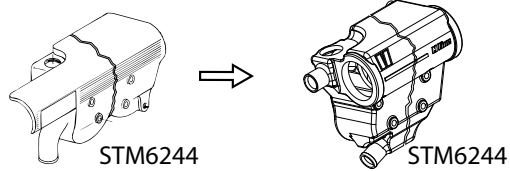
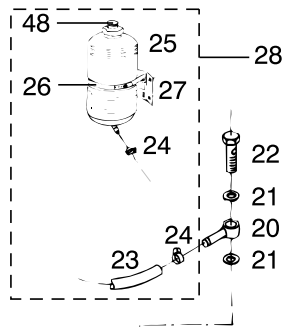


M3.28 M3.29

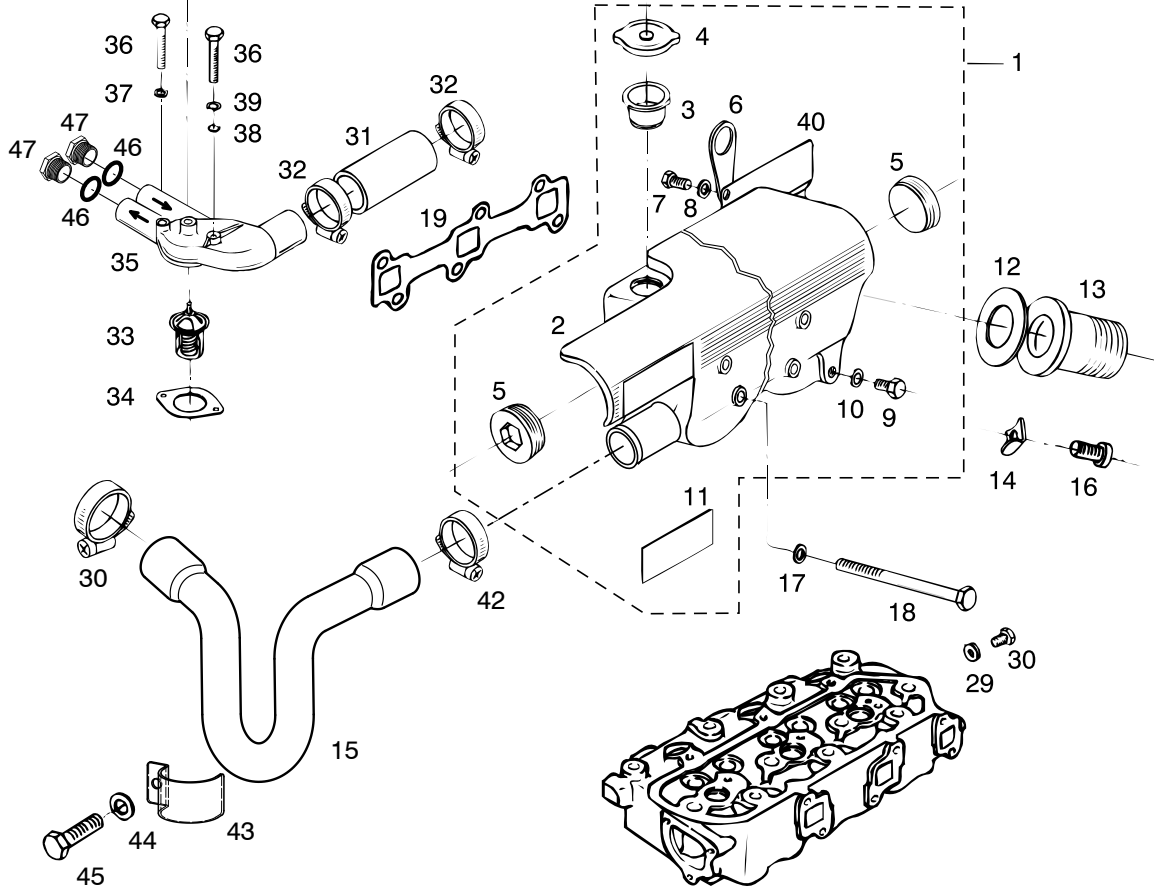
Kielkoelspruitstuk

Keelcooler manifold

pos.	qty	part	benaming	description
1	1	STM6245	Kielkoelspruitstuk compl.	Keelcooler manifold compl.
2	1	STM6244	Kielkoelspruitstuk	Keelcooler manifold
3	1	STM3750	Vulnek	Filler neck
4	1	STM9507	Vuldop 'do not open'	Filler cap 'do not open'
5	2	STM4043	Plug G 1,5	Plug G 1.5
6	1	STM6254	Hijsoog	Lifting eye
7	1	STM3355	Bout M8x20	Bolt M8x20
8	1	STM1056	Ring	Washer
9	1	STM1059	Plug M14x1.5	Plug M14x1.5
10	2	STM1062	Ring	Washer
11	1	STM6157	Logo plaatje	Logo plate
12	1	STM6152	Pakking	Gasket
13	1	STM6179	Uitlaatflens G 1 1/4	Exhaust flange G 1 1/4
14	3	STM6126	Kikkerplaatje	Clamp plate
15	1	STM6178	Slang	Hose
16	3	STM6299	Inbusbout M8x20	Allen screw M8x20



Modelwijziging  
Model modification

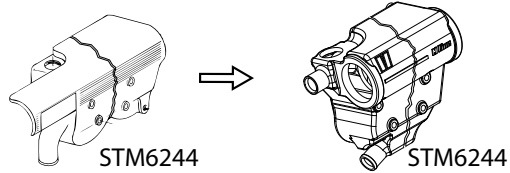
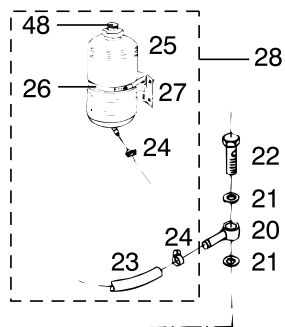


M3.28 M3.29

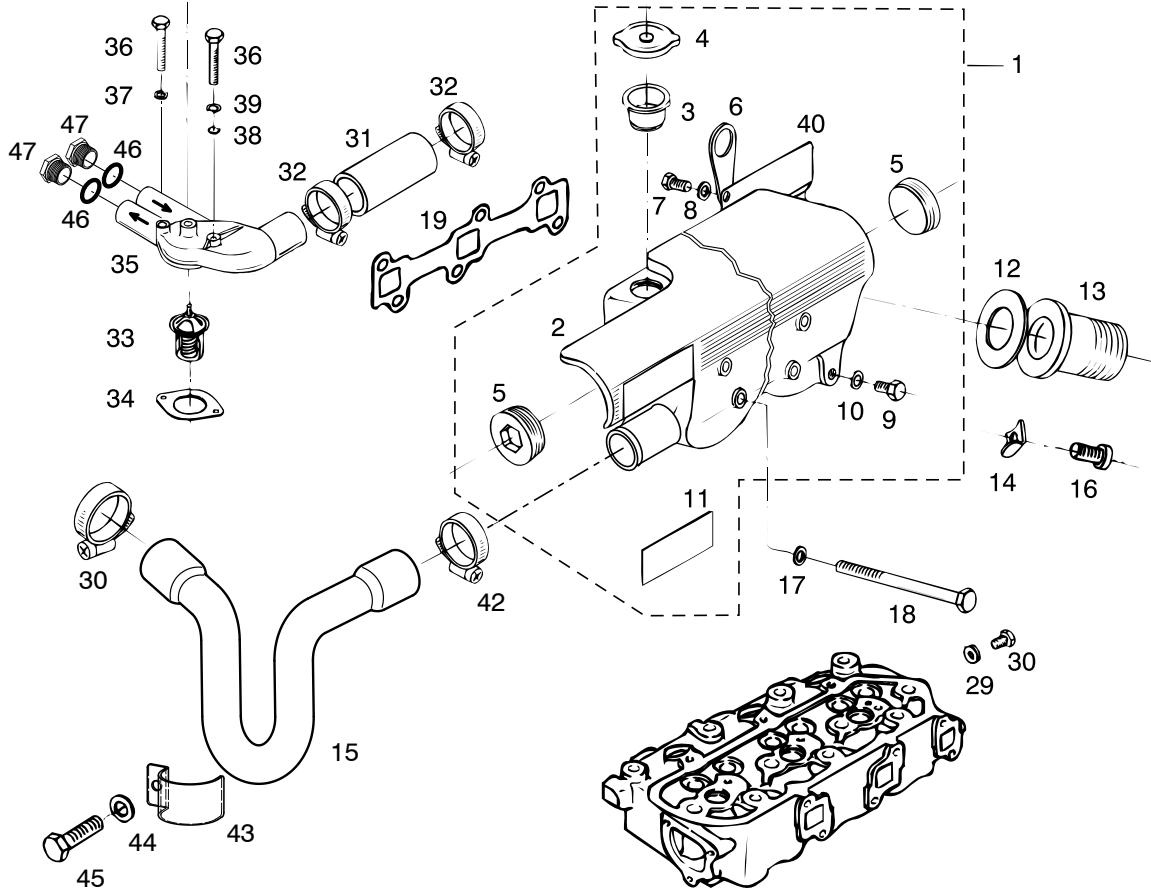
Kielkoelspruitstuk

Keelcooler manifold

pos.	qty	part	benaming	description
17	6	STM1019	Ring	Washer
18	6	STM6122	Bout M8x110	Bolt M8x110
19	1	STM9832	Uitlaatpakking	Exhaust gasket
20	1	STM6198	Banjo oog	Banjo eye
21	2	STM2018	Ring	Washer
22	1	STM6199	Banjo bout	Banjo bolt
23	1	STM9504	Slang L=1,5 mtr.	Hose L=1,5 mtr.
24	2	STM9505	Slangklem	Hose clamp
25	1	STM9501	Expansie tank	Headertank
26	1	STM9503	Slangklem	Hose clamp
27	1	STM9502	Bevestigingsbeugel	Support
28	1	STM9500	Expansietank compl. (23 t/m. 27 + 48)	Headertank compl. (23 till 27 + 48)
29	1	STM1007	Ring	Washer
30	1	STM3796	Bout M8x1,25x10	Bolt M8x1.25x10
31	1	STM6138	Slang	Hose
32	2	STM6116	Slangklem 26-38	Hose clamp 26-38



Modelwijziging  
Model modification

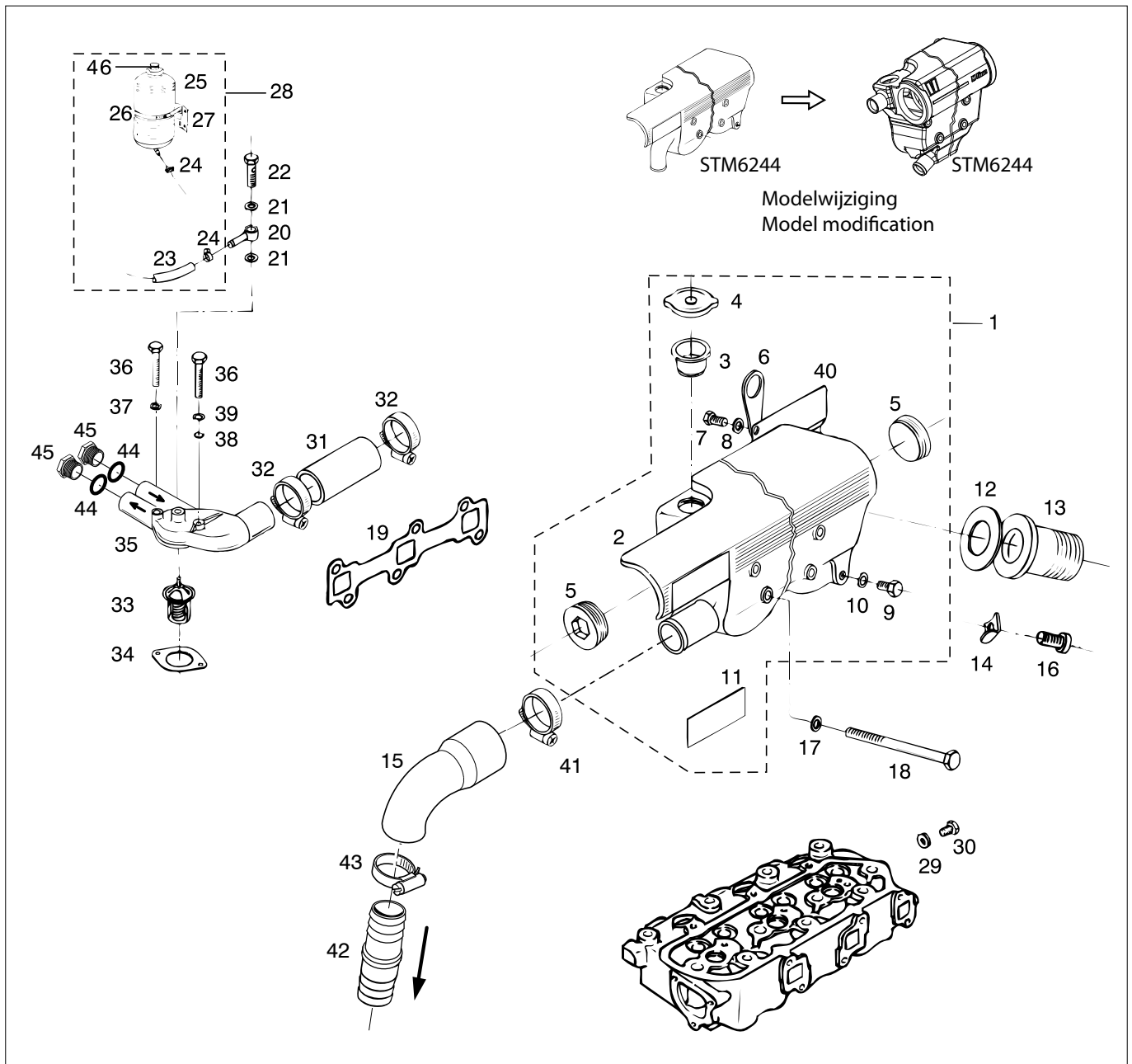


M3.28 M3.29

Kielkoelspruitstuk

Keelcooler manifold

pos.	qty	part	benaming	description
33	1	STM6250	Thermostaat 82°C	Thermostat 82°C
34	1	STM6251	Pakking	Gasket
35	1	STM6112	Thermostaat huis	Thermostat housing
36	2	STM6155	Bolt M6x35	Bolt M6x35
37	1	STM1025	Ring	Washer
38	1	STM6118	O-ring 6x2	O-ring
39	1	STM6156	Ring	Washer
40	1	STM6236	Afschermplaat	Protection plate
41	1	STM6116	Slangklem 26-38	Hoseclamp 26-38
42	1	STM6262	Slangklem 25-40 mm	Hose clamp 25-40 mm
43	1	STM6346	Zadel	Clamp
44	1	STM8568	Gegolfde veerring M6	Wave spring washer M6
45	1	STM1029	Bout M6	Bolt M6
46	2	STM6617	Afdichtring	Seal washer
47	2	STM7285	Plug G 3/8	Plug G 3/8
48	1	08-01141	Drukdop	Pressure cap

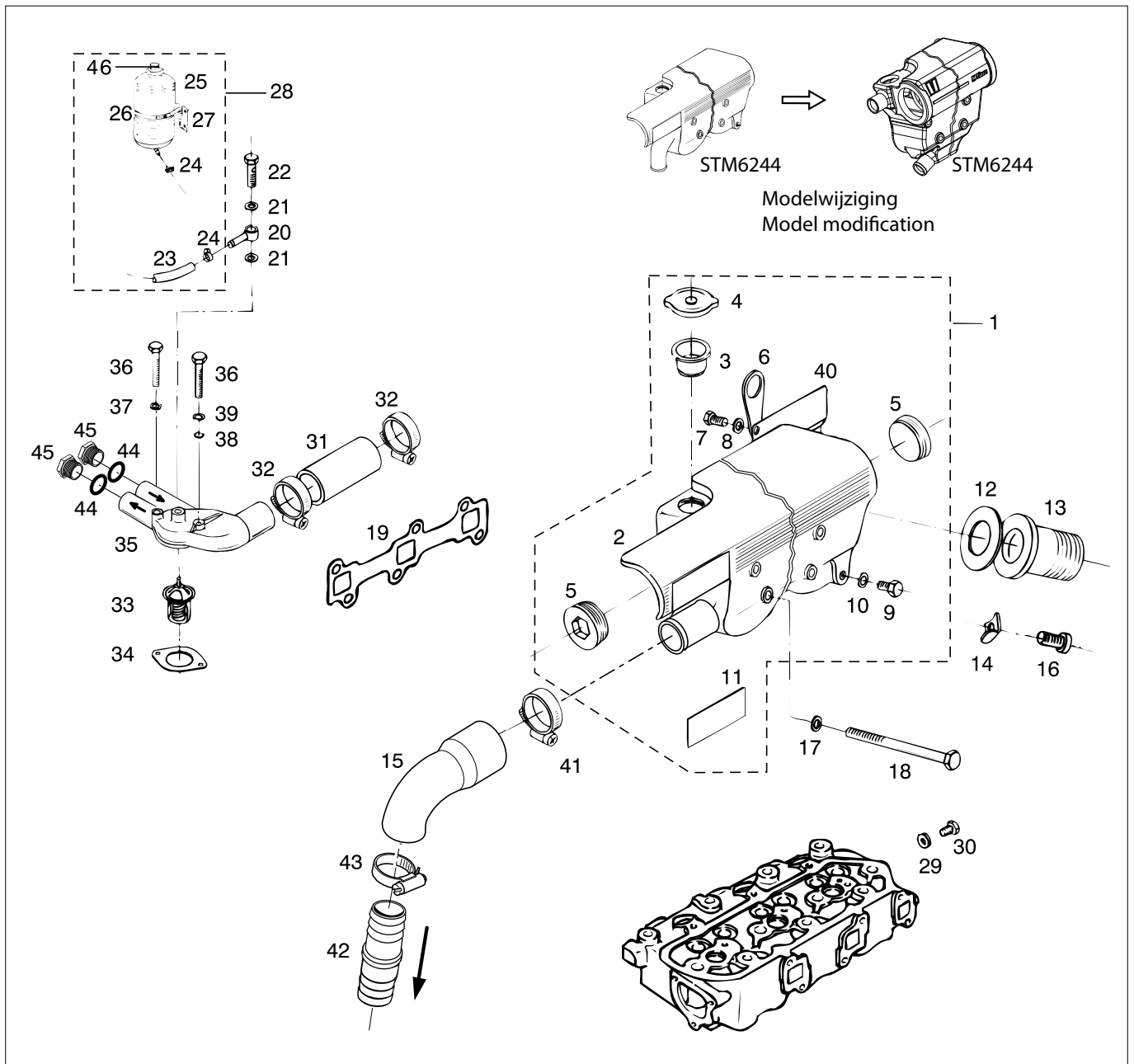


**M3.28**

**Kielkoelspruitstuk PRM**

**Keelcooler manifold PRM**

pos.	qty	part	benaming	description
1	1	STM6245	Kielkoelspruitstuk compl.	Keelcooler manifold compl.
2	1	STM6244	Kielkoelspruitstuk	Keelcooler manifold
3	1	STM3750	Vulnek	Filler neck
4	1	STM9507	Vuldop 'do not open'	Filler cap 'do not open'
5	2	STM4043	Plug G 1,5	Plug G 1.5
6	1	STM6254	Hijsoog	Lifting eye
7	1	STM3355	Bout M8x20	Bolt M8x20
8	1	STM1056	Ring	Washer
9	1	STM1059	Plug M14x1.5	Plug M14x1.5
10	2	STM1062	Ring	Washer
11	1	STM6157	Logo plaatje	Logo plate
12	1	STM6152	Pakking	Gasket
13	1	STM6179	Uitlaatflens G 1 1/4	Exhaust flange G 1 1/4
14	3	STM6126	Kikkerplaatje	Clamp plate
15	1	STM4674	Slang	Hose
16	3	STM6299	Inbusbout M8x20	Allen screw M8x20

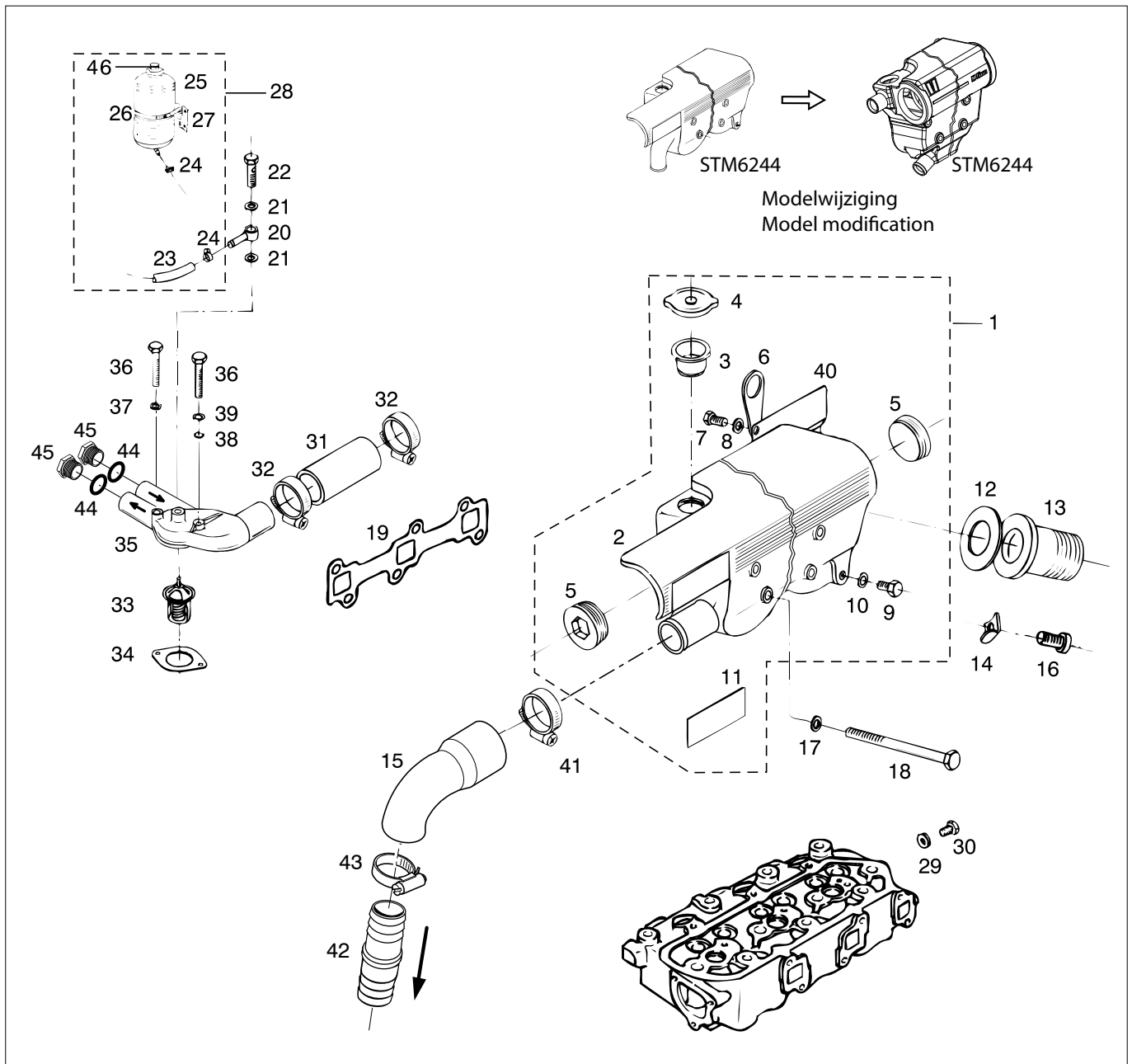


**M3.28**

**Kielkoelspruitstuk PRM**

**Keelcooler manifold PRM**

pos.	qty	part	benaming	description
17	6	STM1019	Ring	Washer
18	6	STM6122	Bout M8x110	Bolt M8x110
19	1	STM9832	Uitlaatpakking	Exhaust gasket
20	1	STM6198	Banjo oog	Banjo eye
21	2	STM2018	Ring	Washer
22	1	STM6199	Banjo bout	Banjo bolt
23	1	STM9504	Slang L=1,5 mtr.	Hose L=1,5 mtr.
24	2	STM9505	Slangklem	Hose clamp
25	1	STM9501	Expansie tank	Headertank
26	1	STM9503	Slangklem	Hose clamp
27	1	STM9502	Bevestigingsbeugel	Support
28	1	STM9500	Expansietank compl. (23 t/m. 27)	Headertank compl. (23 till 27)
29	1	STM1007	Ring	Washer
30	1	STM3796	Bout M8x1,25x10	Bolt M8x1.25x10
31	1	STM6138	Slang	Hose
32	2	STM6116	Slangklem 26-38	Hose clamp 26-38



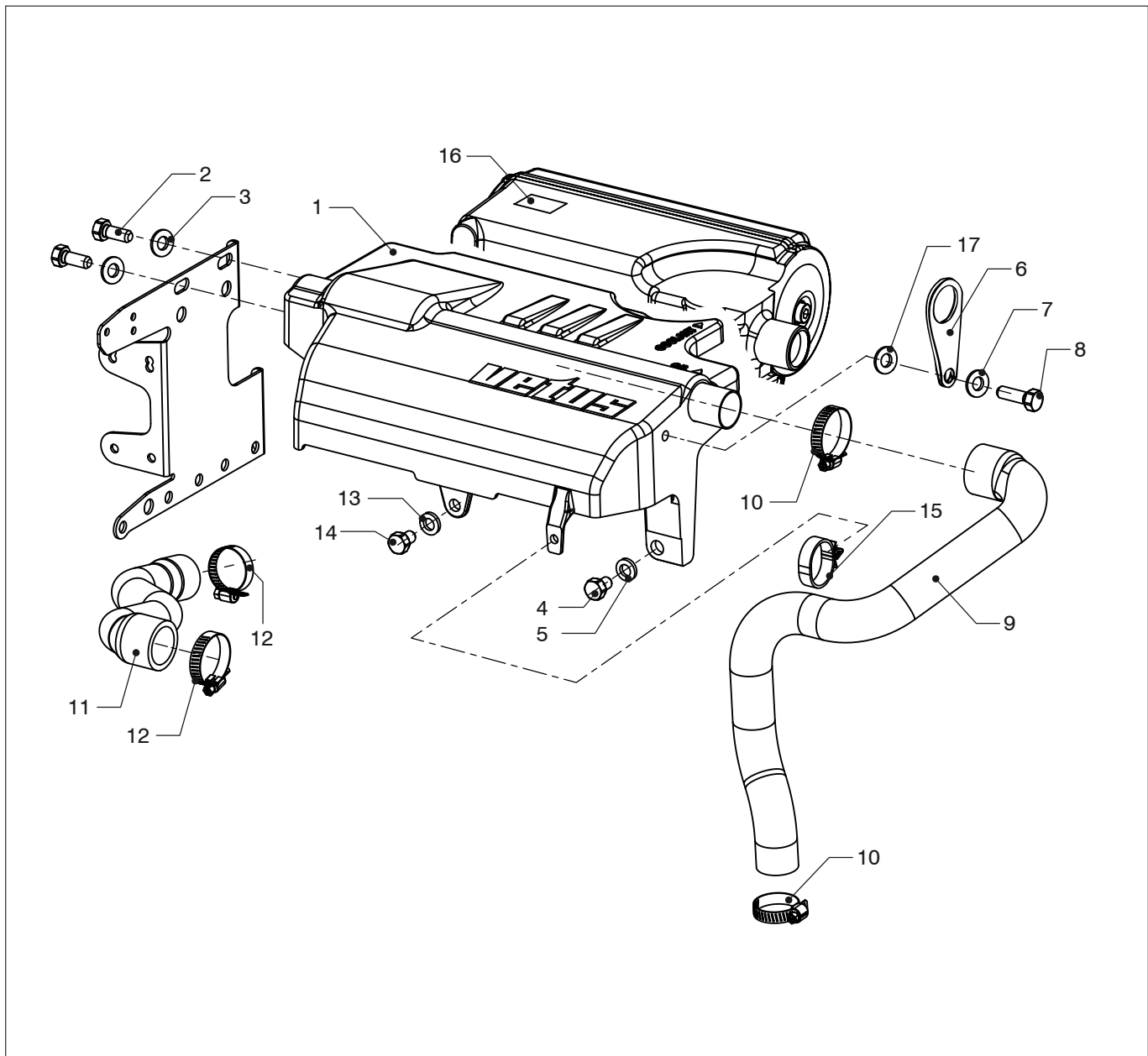
**M3.28**

**Kielkoelspruitstuk PRM**

**Keelcooler manifold PRM**

pos.	qty	part	benaming	description
33	1	STM6250	Thermostaat 82°C	Thermostat 82°C
34	1	STM6251	Pakking	Gasket
35	1	STM6112	Thermostaat huis	Thermostat housing
36	2	STM6155	Bolt M6x35	Bolt M6x35
37	1	STM1025	Ring	Washer
38	1	STM6118	O-ring 6x2	O-ring
39	1	STM6156	Ring	Washer
40	1	STM6236	Afschermplaat	Protection plate
41	1	STM6116	Slangklem 26-38	Hoseclamp 26-38
42	1	STM4675	Pijp	Pipe
43	1	STM3005	Slangklem	Hoseclamp
44	2	STM6617	Afdichtring	Seal washer
45	2	STM7285	Plug G 3/8	Plug G 3/8
46	1	08-01141	Drukdop	Pressure cap



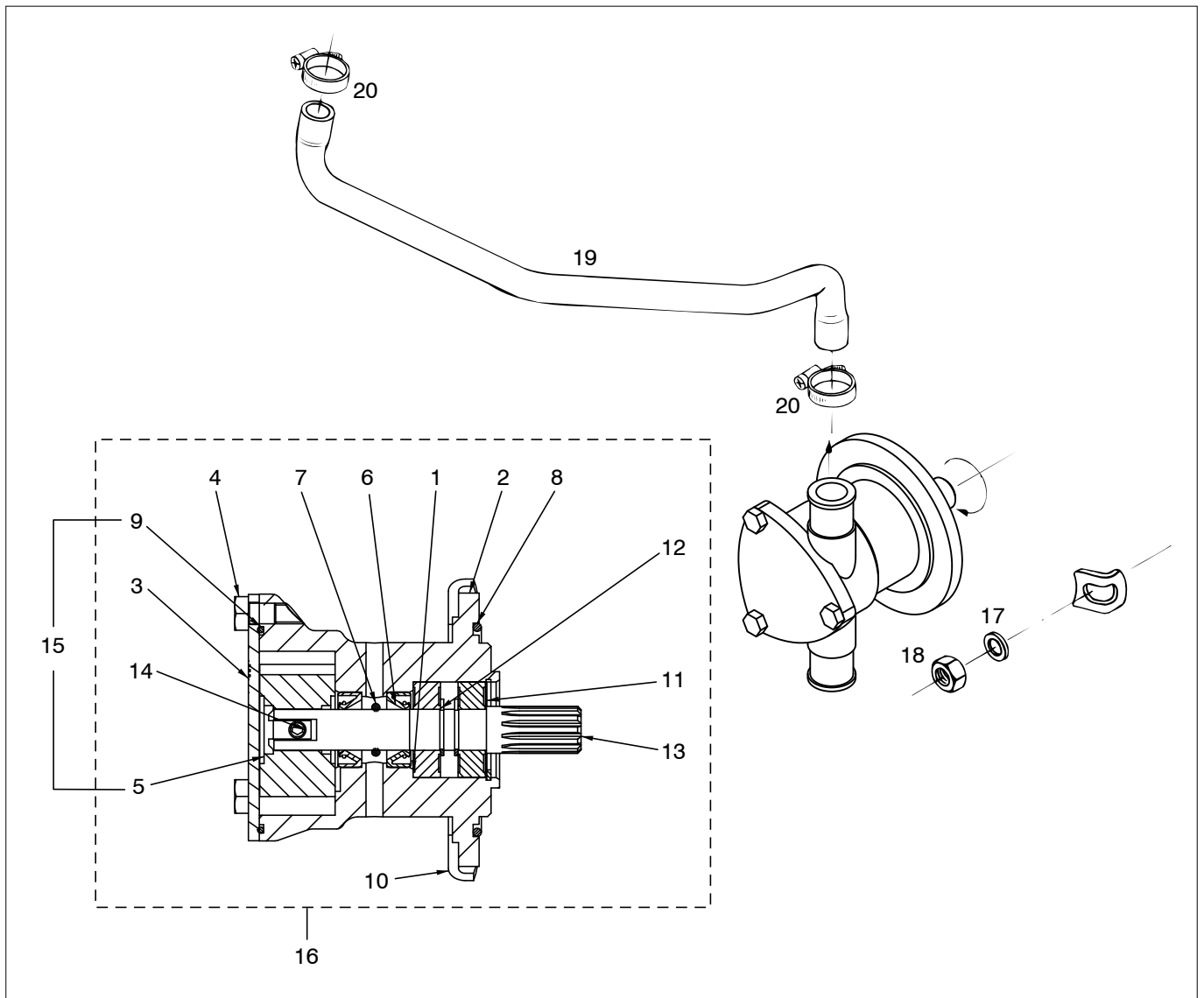


**M3.29**

**Bovenkap**

**Upper cover**

pos.	qty	part	benaming	description
1	1	08-01284	Bovenkap M3	Upper cover M2
2	2	STM4055	Bout M8x16	Bolt M8x16
3	2	STM1019	Gegolfde veerring M8	Wave spring washer M8
4	1	STM3355	Bout M8x20	Bolt M8x20
5	1	STM1019	Gegolfde veerring M8	Wave spring washer M8
6	1	STM6254	Hijsoog	Lifting eye
7	1	STM1019	Gegolfde veerring M8	Wave spring washer M8
8	1	STM7059	Bout M8x30	Bolt M8x30
9	1	08-01280	Slang buitenwaterpomp	Hose sea water pump
10	2	STM2012	Slangklem 19-28	Hose clamp 19-28
11	1	08-01281	Slang aansluitdeksel	Hose connection cover
12	2	STM2012	Slangklem 19-28	Hose clamp 19-28
13	1	STM1019	Gegolfde veerring M8	Wave spring washer M8
14	1	STM4055	Bout M8x16	Bolt M8x16
15	1	08-01320	Klem	Clip
16	1	08-01356	Motortypeplaat	Engine type plate
17	1	08-01371	Ring	Washer

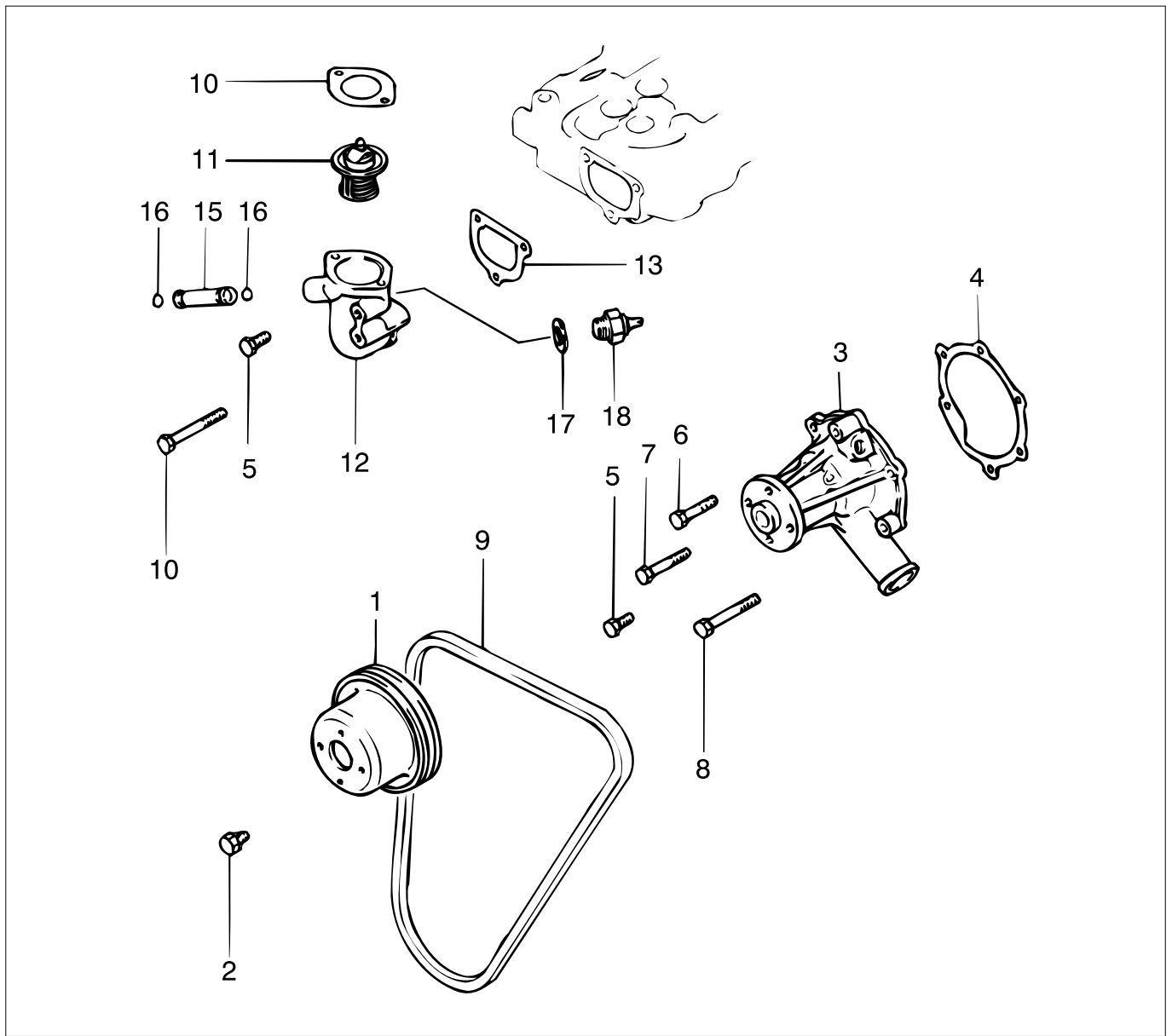


**M3.28 M3.29**

**Zeewaterpomp**

**Seawater pump**

pos.	qty	part	benaming	description
1	2	STM6171	Lager	Bearing
2	1	STM6249	Huis 1/2 kam	Housing 1/2 cam
3	1	STM7688	Deksel	Cover
4	3	STM7689	Schroef	Screw
5	1	STM6161	Impeller	Impeller
6	2	STM6169	Keerring	Lip seal
7	1	STM6168	O-ring	O-ring
8	1	STM6127	O-ring	O-ring
9	1	STM7696	O-ring	O-ring
10	4	STM6126	Kikkerplaatje	Clamp plate
11	1	STM6172	Borgring	Retaining ring
12	2	STM6170	Borgring	Retaining ring
13	1	STM6173	As	Shaft
14	1	STM6162	Schroef	Screw
15	1	STM7691	Rep.set 5+9	Repair kit 5+9
16	1	STM6109	Pomp 1/2 kam	Pump 1/2 cam
17	4	STM1056	Veerring M8	Spring washer M8
18	4	STM2005	Moer M8	Nut M8
19	1	STM6247	Slang M3.28	Hose M3.28
20	2	STM2012	Slangklem 19-28 M3.28	Hose clamp 19-28 M3.28

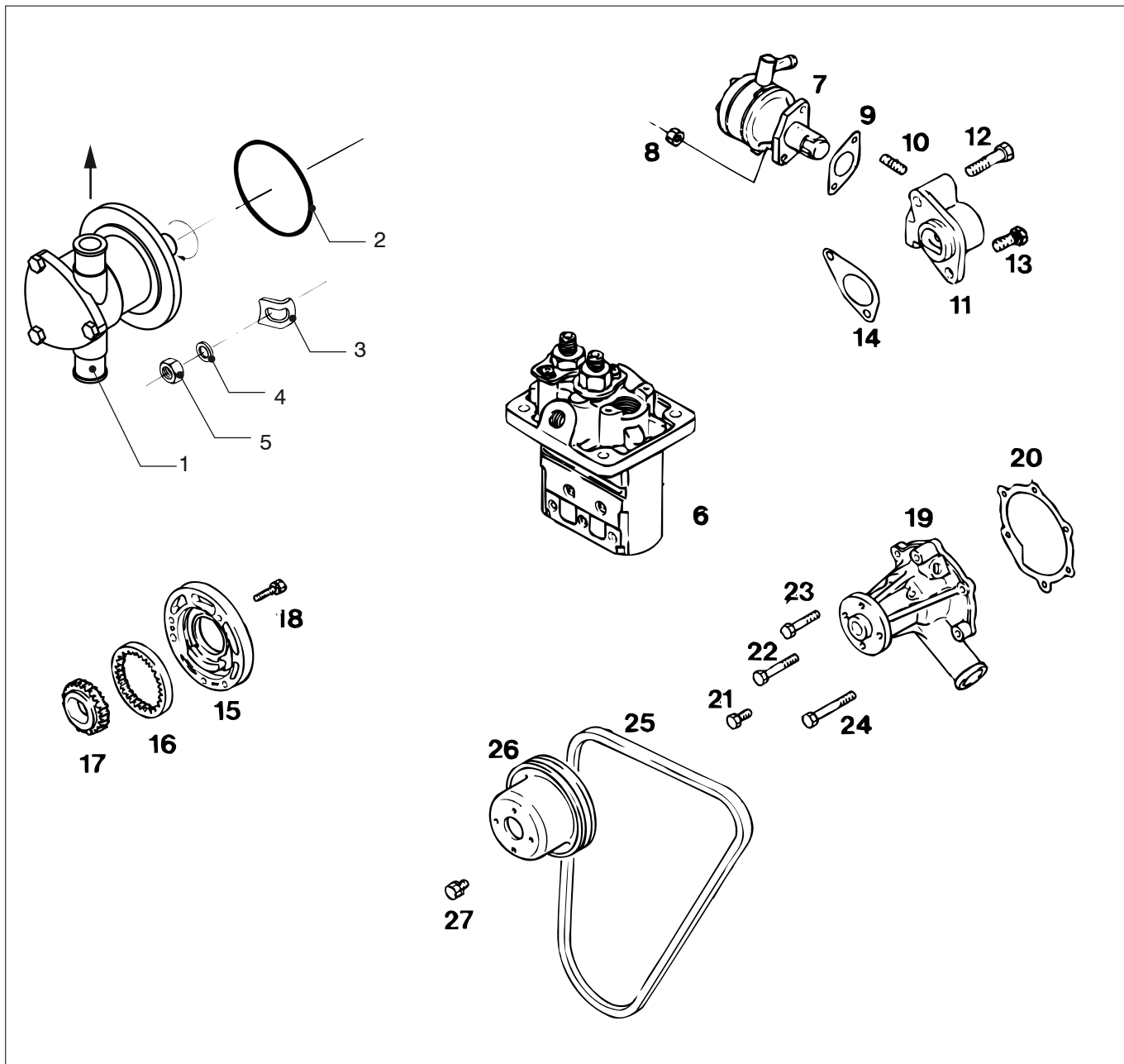


M3.28 M3.29

Circulatiepomp

Circulation pump

pos.	qty	part	benaming	description
1	1	STM1227	Pulley waterpomp	Pulley water pump
2	4	STM1228	Bout	Bolt
3	1	STM1229	Circulatiepomp	Circulation pump
4	1	STM3926	Pakking	Gasket
5	2	STM1231	Bout	Bolt
6	2	STM6155	Bout	Bolt
7	1	STM1232	Bout	Bolt
8	2	STM1233	Bout	Bolt
9	1	STM7439	V-snaar	V-belt
10	1	STM6251	Pakking	Gasket
11	1	STM6250	Thermostaat 71°C	Thermostate 71°C
12	1	STM1234	Houder	Fitting
13	1	STM3967	Pakking	Gasket
14	1	STM1236	Bout	Bolt
15	1	STM1237	Pijp	Pipe
16	2	STM1238	O-ring	O-ring
17	1	STM6269	Dichtring	Seal washer
18	1	STM6268	Temperatuur schakelaar 111°C	Thermo switch 111°C

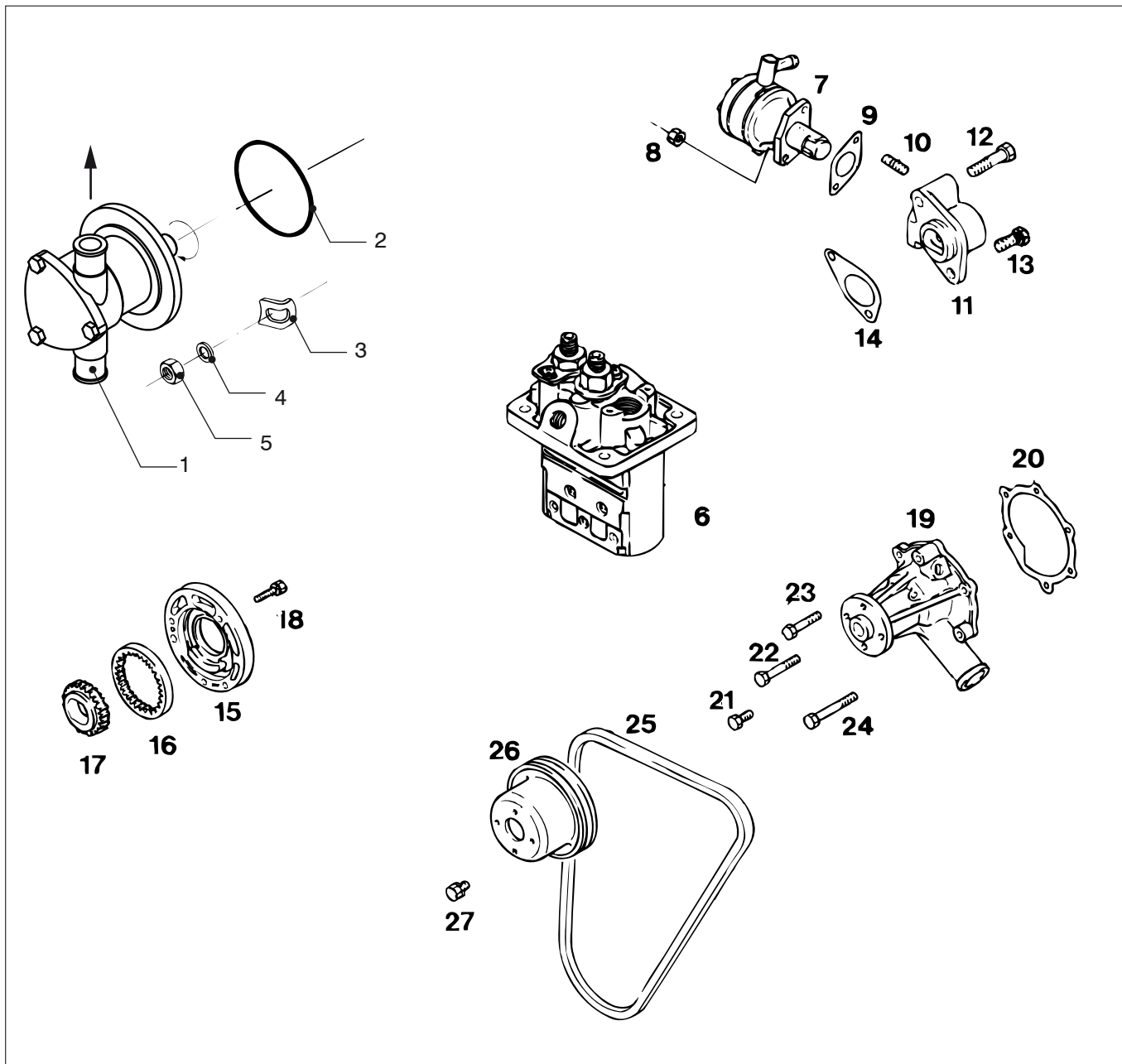


**M3.28**

**Pompen**

**Pumps**

pos.	qty	part	benaming	description
1	1	STM6109	Zeewaterpomp 1/2 kam	Seawater pump 1/2 cam
2	1	STM6127	O-ring	O-ring
3	4	STM6126	Kikkerplaatje	Clamp plate
4	4	STM1019	Ring	Washer
5	4	STM2005	Moer M8	Nut M8
6	1	STM6284	Brandstofpomp	Fuel pump
7	1	STM1127	Brandstofopvoerpomp	Fuel lifting pump
8	2	STM3260	Moer M6	Nut M6
9	1	STM1128	Pakking	Gasket
10	2	STM1130	Tapeind M6x14	Stud M6x14
11	1	STM1129	Adaptor	Adaptor
12	1	STM2258	Bout M8x45	Bolt M8x45
13	1	STM3255	Bout M8x20	Bolt M8x20
14	1	STM1114	Pakking	Gasket
15	1	STM1145	Oliepomp huis	Oil pump housing
16	1	STM1144	Tandwiel buiten	Gear outer

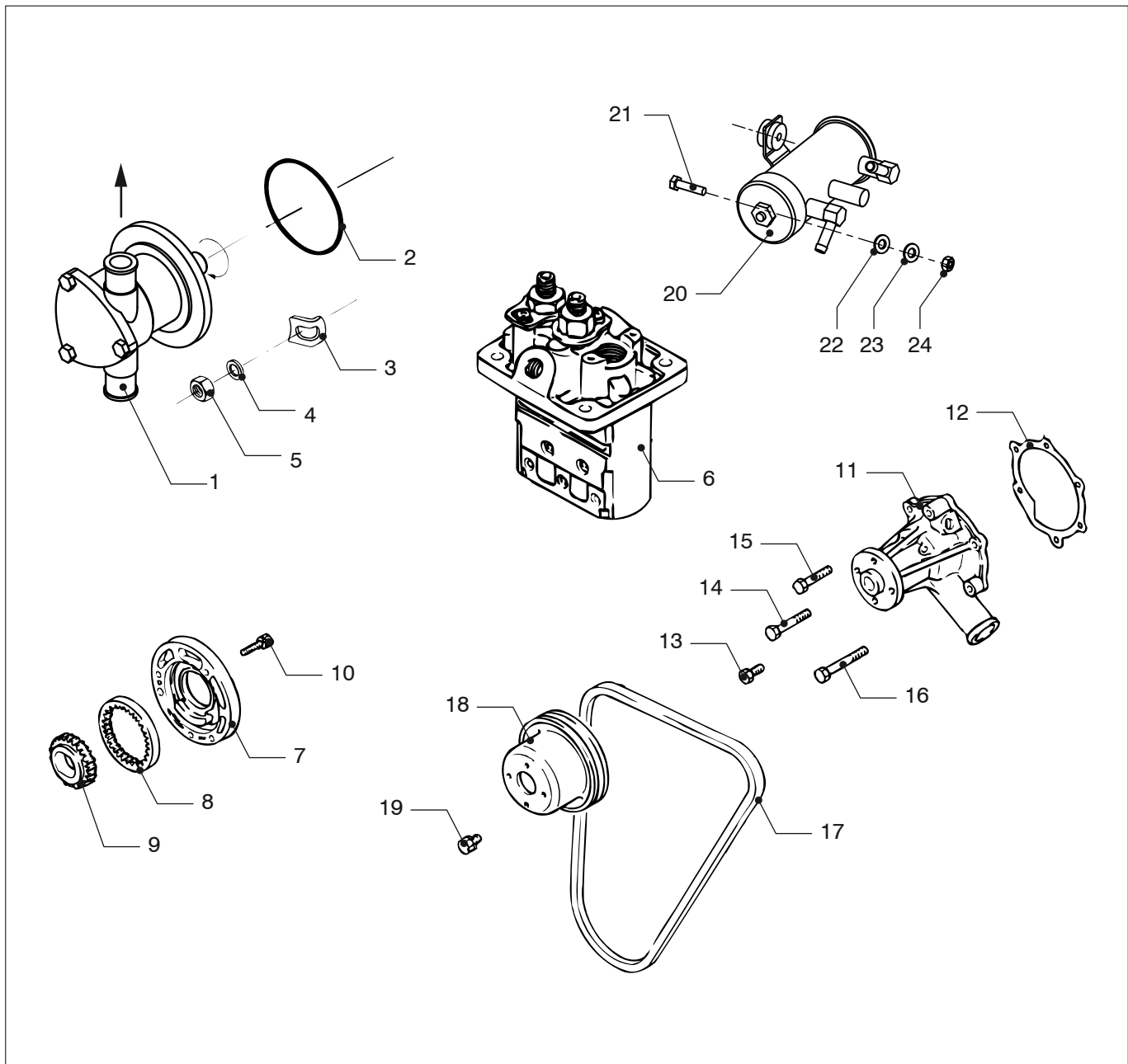


**M3.28**

**Pompen**

**Pumps**

pos.	qty	part	benaming	description
17	1	STM1143	Tandwiel binnen	Gear inner
18	3	STM2260	Bout M6x30	Bolt M6x30
19	1	STM1229	Waterpomp binnenwater	Waterpump coolant
20	1	STM1230	Pakking	Gasket
21	2	STM1231	Bout M6x18	Bolt M6x18
22	1	STM6155	Bout M6x35	Bolt M6x35
23	1	STM1232	Bout M6x45	Bolt M6x45
24	2	STM1233	Bout M6x55	Bolt M6x55
25	1	STM7439	V-snaar L=925 mm, 75 A dynamo	V-belt L=925 mm, 75 A dynamo
26	1	STM1227	Pulley waterpomp	Pulley waterpump
27	4	STM1228	Bout M6x12	Bolt M6x12

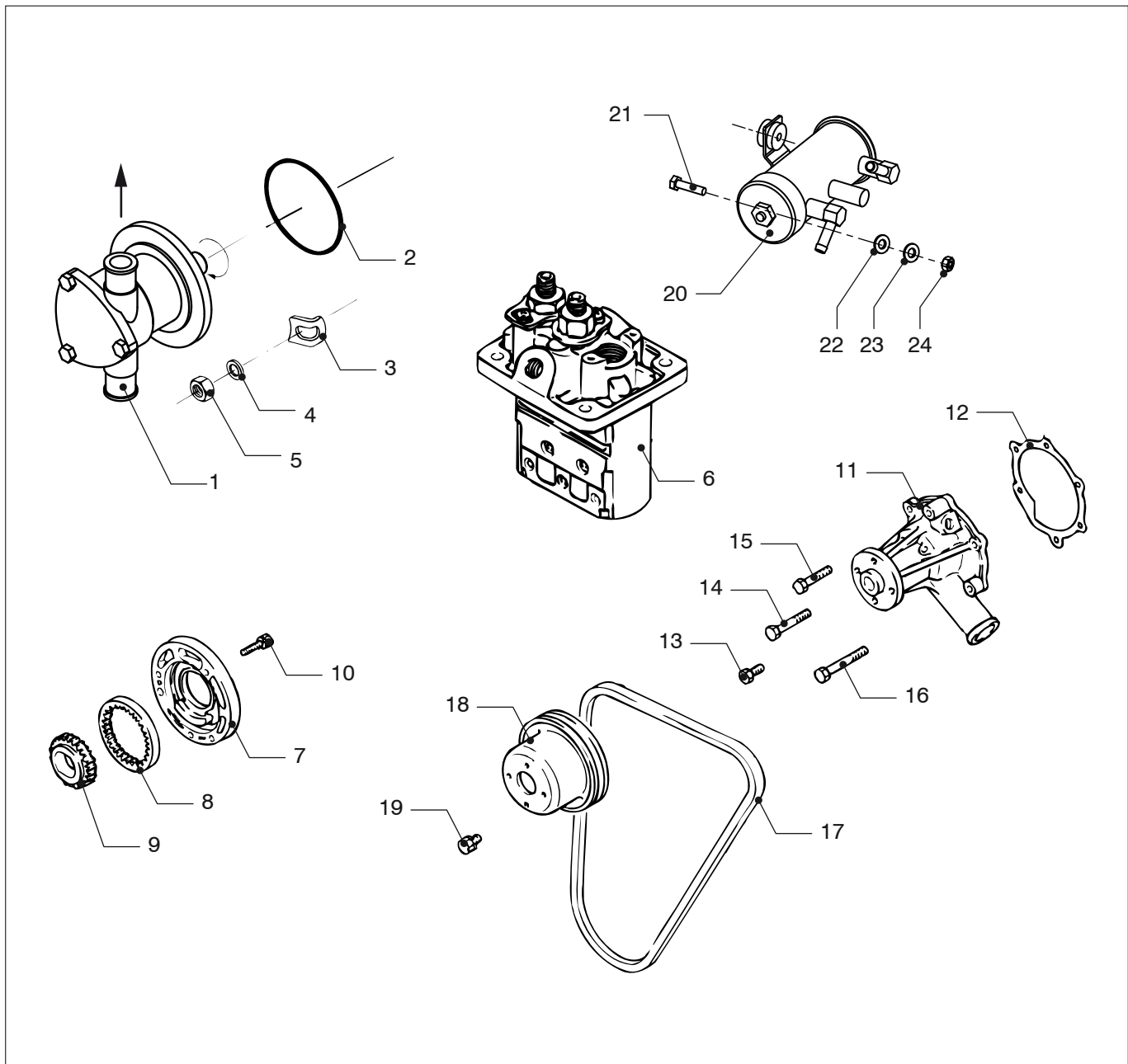


**M3.29**

**Pompen**

**Pumps**

pos.	qty	part	benaming	description
1	1	STM6109	Zeewaterpomp	Seawater pump
2	1	STM6127	O-ring	O-ring
3	4	STM6126	Kikkerplaatje	Clamp plate
4	4	STM1019	Ring	Washer
5	4	STM2005	Moer M8	Nut M8
6	1	STM1426	Brandstofpomp M2.13/M2.18	Fuel pump M2.06
7	1	STM1145	Oliepomp huis	Oil pump housing
8	1	STM1144	Tandwiel buiten	Gear outer
9	1	STM1143	Tandwiel binnen	Gear inner
10	3	STM2260	Bout M6x30	Bolt M6x30
11	1	STM1229	Waterpomp binnenwater	Waterpump coolant
12	1	STM1230	Pakking	Gasket
13	2	STM1231	Bout M6x18	Bolt M6x18
14	1	STM6155	Bout M6x35	Bolt M6x35
15	1	STM1232	Bout M6x45	Bolt M6x45
16	2	STM1233	Bout M6x55	Bolt M6x55



**M3.29**

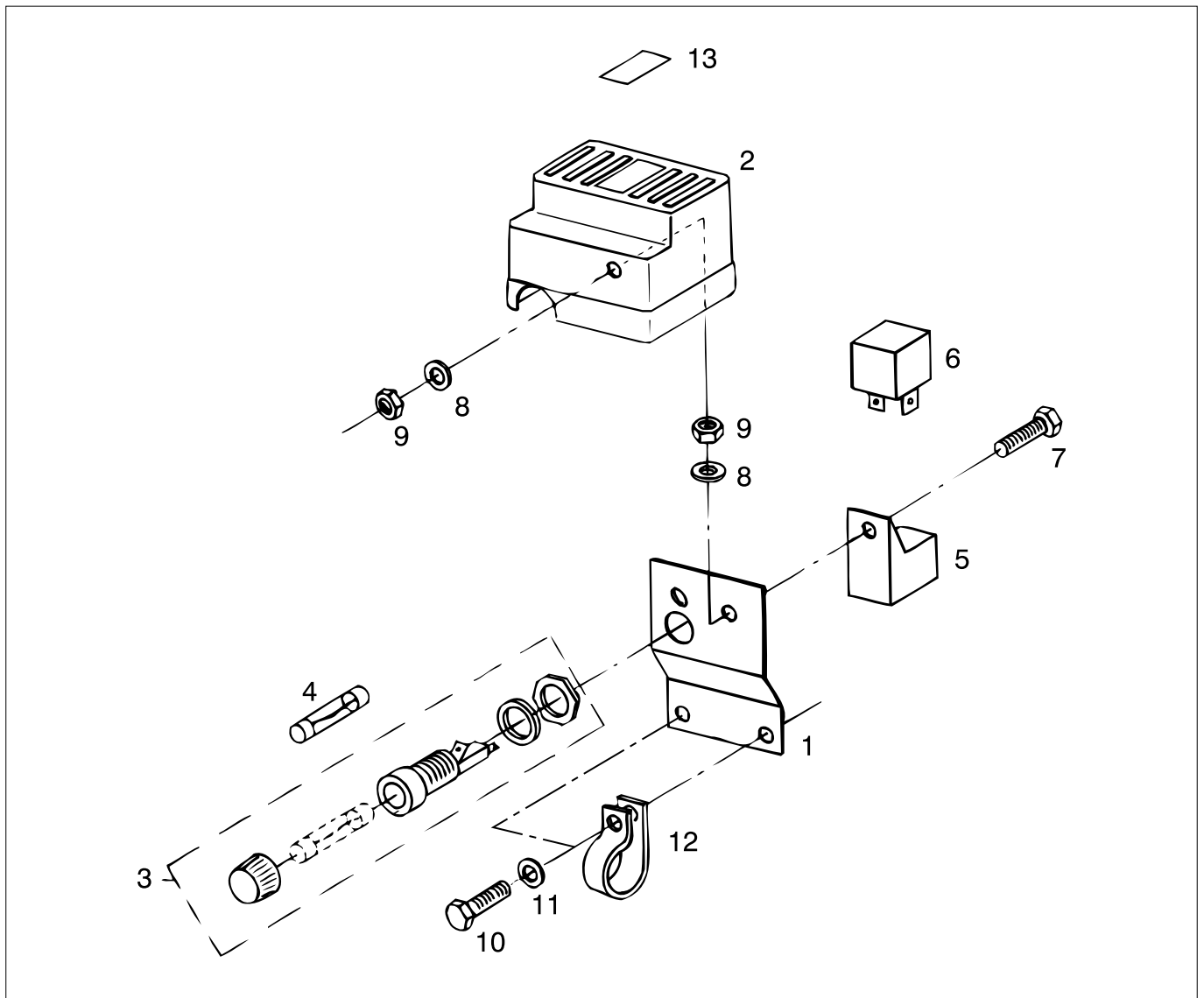
**Pompen**

**Pumps**

pos.	qty	part	benaming	description
17	1	STM7439	V-snaar L=925 mm, 75 A dynamo	V-belt L=925 mm, 75 A dynamo
18	1	STM1227	Pulley waterpomp	Pulley water pump
19	4	STM1228	Bout M6x12	Bolt M6x12
20	1	08-01297	Elektrische brandstofopvoerpomp	Electric fuel lift pump
21	2	STM8372	Bout M6x25	Bolt M6x25
22	2	STM8726	Sluitring M6	Plain washer M6
23	2	STM1025	Gegolfde veerring M6	Wave spring washer M6
24	2	STM8569	Moer M6	Nut M6





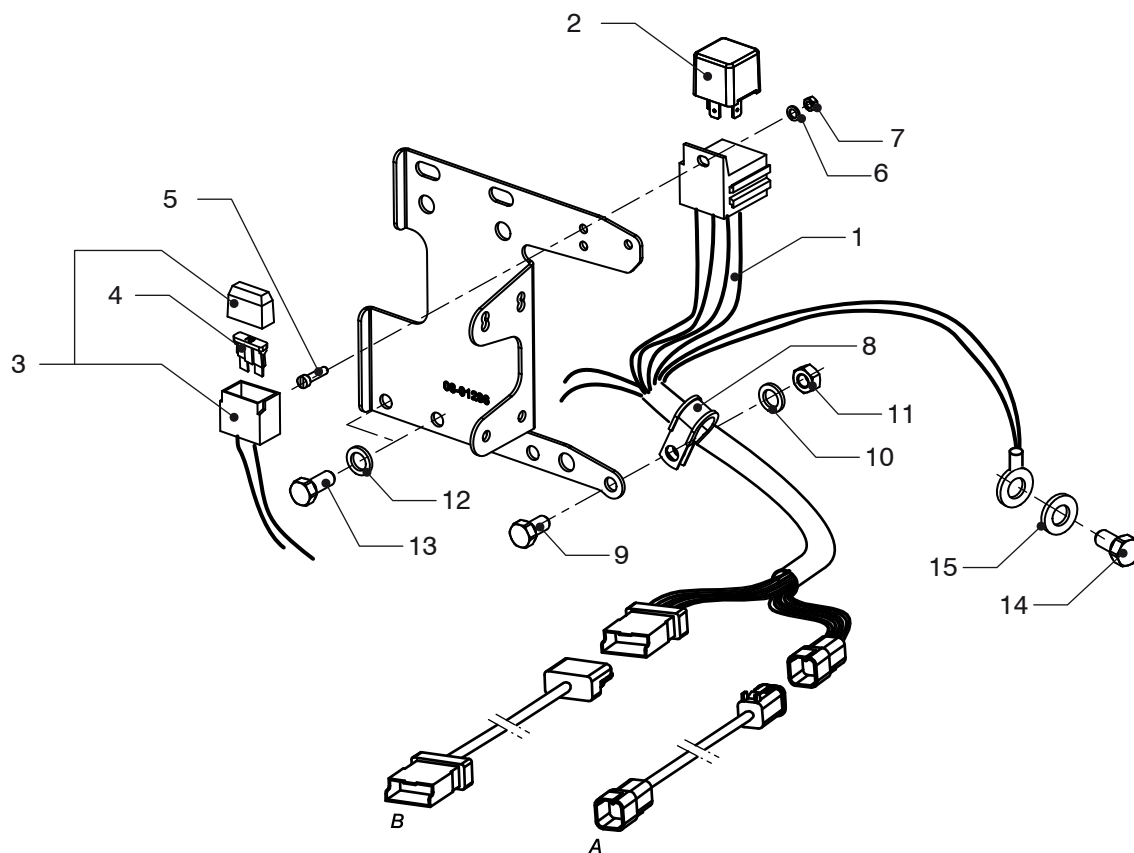


**M3.28**

**Bedradingskast**

**Terminal box**

pos.	qty	part	benaming	description
1	1	STM6246	Bedradingssteun	Wiring support
2	1	STM6248	Deksel	Cover
3	1	STM9184	Zekeringhouder	Fuse support
4	1	STM9185	Zekering 10A traag $\varnothing 6,3 \times 32$	Fuse 10A slow $\varnothing 6,3 \times 32$
5	1	STM9052	Insteekvoet	Relay foot
6	1	STM9050	Relais	Relay
7	1	CT40075	Bout M5x16	Bolt M5x16
8	2	STM8177	Gegolfde veerring M5	Wave spring washer M5
9	2	STM1705	Moer M5	Nut M5
10	2	STM3355	Bout M8x20	Bolt M8x20
11	2	STM1019	Ring	Washer
12	1	STM3066	Leidingklem	Pipe Clamp
13	1	STM7591	Sticker	Sticker

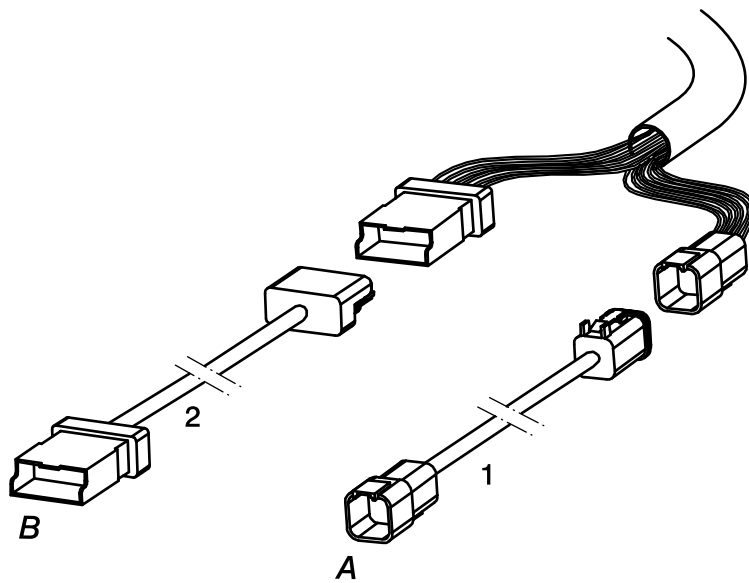


**M3.28 M3.29**

**Motorbedrading 2014 ->**

**Engine wiring 2014 ->**

pos.	qty	part	benaming	description
1	1	08-01310	Motor bedrading	Engine wiring
2	1	STM9050	Relais 12V-30A	Relay 12V-30A
3	1	08-01290	Zekering houder	Relay holder
4	1	STM4614	Steek zekering ATO 10A	ATO fuse 10A
5	1	08-01303	Schroef M4x16	Screw M4x16
6	1	CT40042	Gegolfde veerring M4	Wave spring washer M4
7	1	STM9113	Zelfborgende moer M4	Nyloc nut M4
8	1	STM4593	Klem Ø 14	Clamp Ø 14
9	1	STM3355	Bout M8x20	Bolt M8x20
10	1	STM1019	Gegolfde veerring M8	Wave spring washer M8
11	1	STM2005	Moer M8	Nut M8
12	2	STM1019	Gegolfde veerring M8	Wave spring washer M8
13	2	STM4055	Bout M8x16	Bolt M8x16
14	1	STM3705	Bout M10x1,25x25	Bolt M10x1,25x25
15	1	STM8390	Sluitring M10	Washer M10

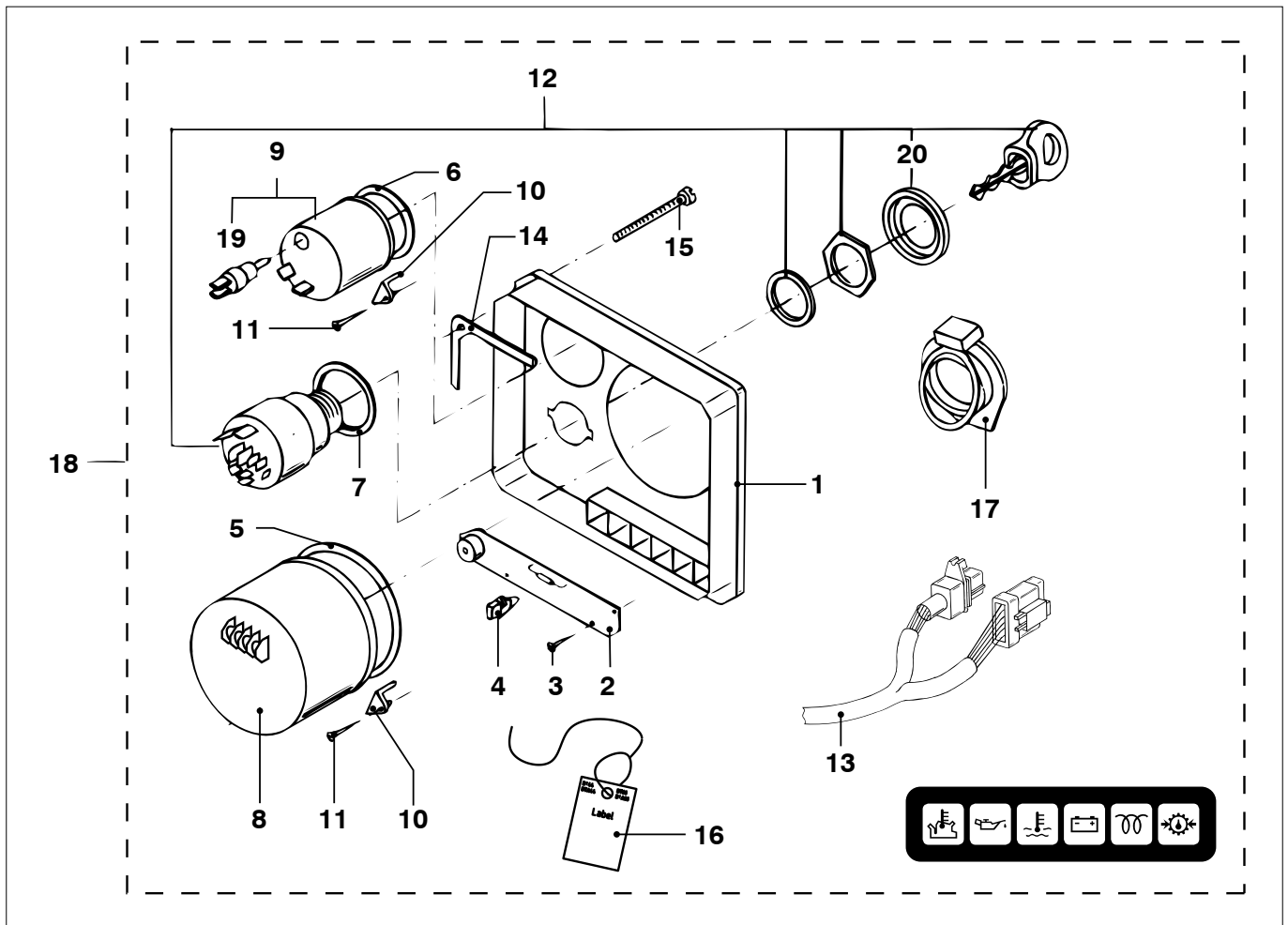


**M3.28 M3.29**

**Kabels en hoofdschakelaar**

**Cables and main switch**

pos.	qty	part	benaming	description
1	1	STM6941	Tussenkabel A, 2mtr grijs 6polig	Intermediate cable A, 2mtr grey 6 pole
	1	STM6942	Tussenkabel A, 4mtr grijs 6polig	Intermediate cable A, 4mtr grey 6 pole
	1	STM6943	Tussenkabel A, 6mtr grijs 6polig	Intermediate cable A, 6mtr grey 6 pole
	1	STM6944	Tussenkabel A, 12mtr grijs 6polig	Intermediate cable A, 12mtr grey 6 pole
2	1	STM6945	Tussenkabel B, 2mtr zwart 6polig	Intermediate cable B, 2mtr black 6 pole
	1	STM6946	Tussenkabel B, 4mtr zwart 6polig	Intermediate cable B, 4mtr black 6 pole
	1	STM6947	Tussenkabel B, 6mtr zwart 6polig	Intermediate cable B, 6mtr black 6 pole
	1	STM6948	Tussenkabel B, 12mtr zwart 6polig	Intermediate cable B, 12mtr black 6 pole
6	1	STM3712	Hoofdschakelaar	Main switch
7	1	STM3762	Steutel	Key

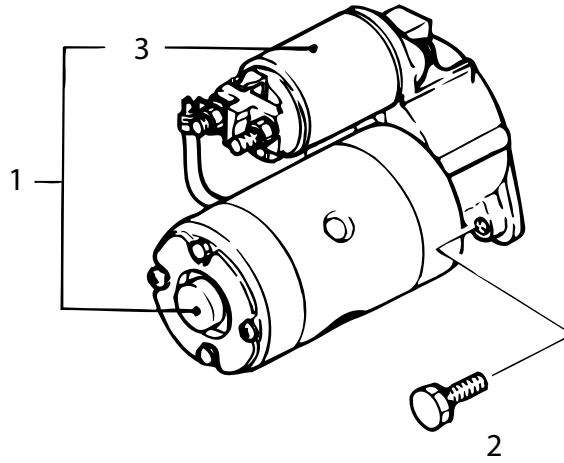


M3.28 M3.29

Instrumentenpaneel

Instrument panel

pos.	qty	part	benaming	description
1	1	STM9186	Paneel incl. frontfolie	Panel incl. overlay
2	1	STM6912	Print MP20, 21, 22 cpl. 12 V	PCB MP20, 21, 22 cpl. 12 V
3	4	P2295RKP	Plaatschroef	Screw
4	6	STM9169	Gloeilamp 12 V	Bulb 12 V
5	1	STM9170	Pakking	Gasket
6	1	STM9171	Pakking	Gasket
7	1	STM9172	Pakking	Gasket
8	1	STM9176	Toeren/urenteller, zwart, 0-4000 rpm	Tachometer/hour counter, black, 0-4000 rpm
	1	LNTACHU	Toeren/urenteller, beige, 0-4000 rpm	Tachometer/hour counter, beige, 0-4000 rpm
9	1	STM9177	Voltmeter, zwart, 12 V	Voltmeter, zwart, 12 V
	1	LNVOLT12U	Voltmeter, beige, 12 V	Voltmeter, beige, 12 V
10	6	PA6488	Beugel	Bracket
11	6	P35134RKP	Plaatschroef	Screw
12	1	STM9215	Contactslot + sleutel	Key switch + key
13	1	STM6978	Paneelbedrading	Wiring
14	1	STM9180	Pakking	Gasket
15	4	P35254ZKP	Plaatschroef	Screw
16	1	STM9731	Label 'Afregele toerenteller'	Label 'Adjusting tachometer'
17	1	STM9188	Contactslot deksel	Key switch cover
18	1	MP22BS12A	Instr.paneel cpl. zwarte instr. 0-4000 rpm 12 V	Instr.panel cpl. black instr. 0-4000 rpm 12 V
	1	MP22BN12A	Instr.paneel cpl. beige instr. 0-4000 rpm 12 V	Instr.panel cpl. beige instr. 0-4000 rpm 12 V
19	1	CT40133	Gloeilamp 12 V	Bulb 12 V
20	1	STM9888	Kap	Cover

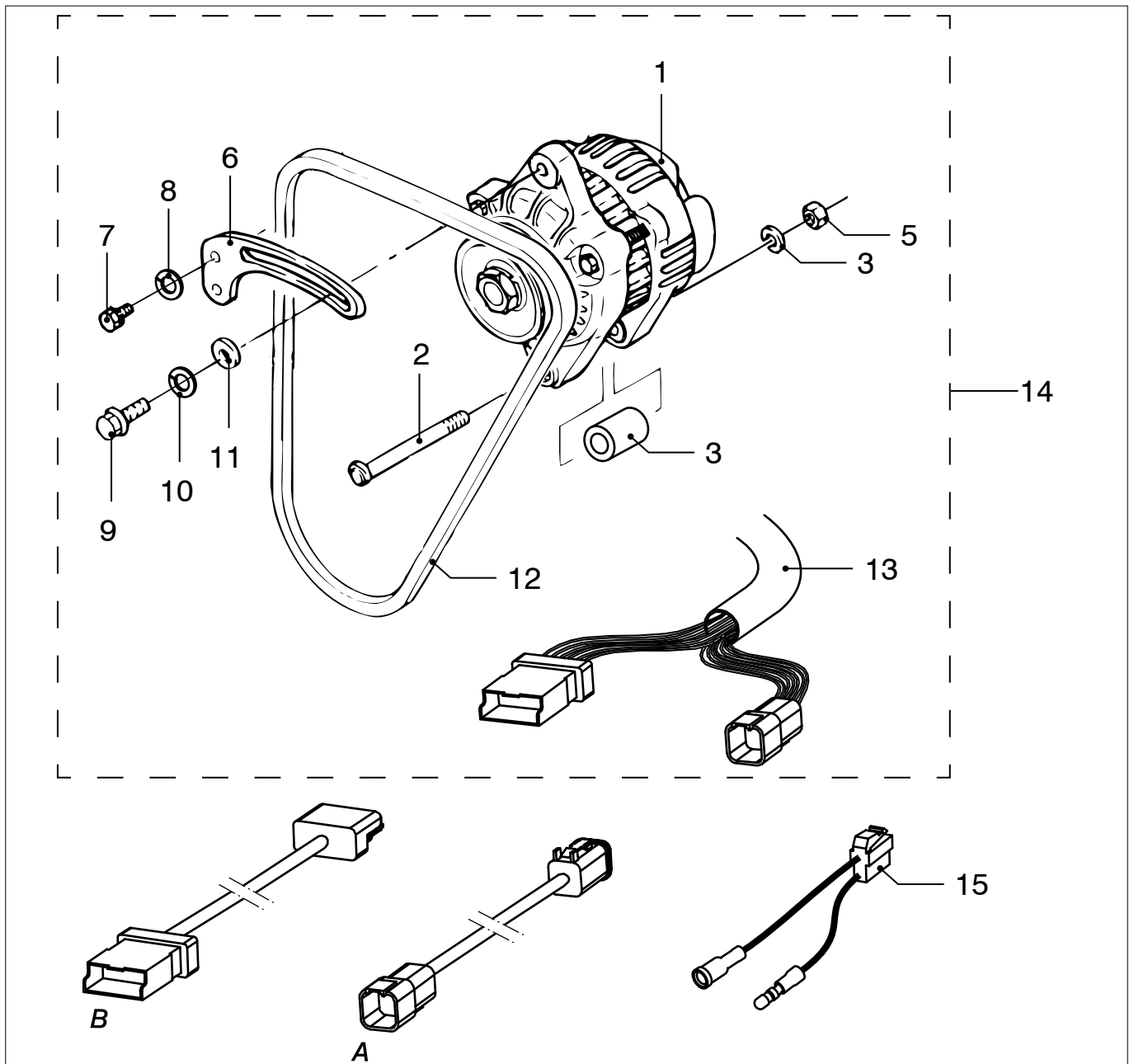


M3.28 M3.29

Startmotor

Starter motor

pos.	qty	part	benaming	description
1	1	STM1241	Starter	Starter assy
2	2	STM4013	Bout	Bolt
3	1	STM1250	Relais	Switch assy

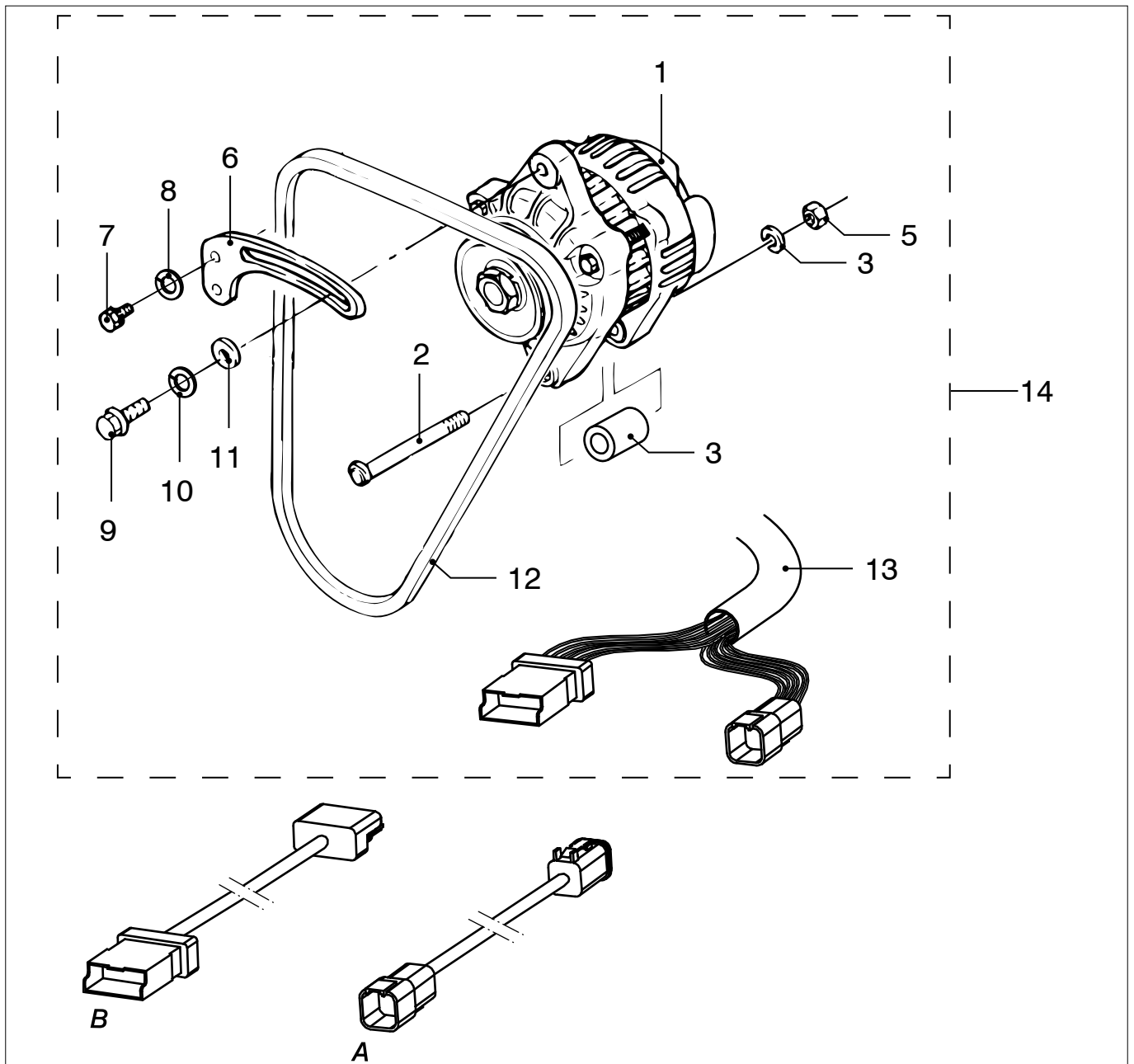


**M3.28**

**Dynamo 12 V - 75 A 1p**

**Alternator 12 V - 75 A Earth return**

pos.	qty	part	benaming	description
1	1	STM7437	Dynamo 12V-75A 1p	Alternator 12V-75A 1p
2	1	STM6121	Bout M8x110	Bolt M8x110
3	1	STM4537	Bus l=30	Bush l=30
4	1	STM1056	Veerring M8	Spring washer M8
5	1	STM2005	Moer M8	Nut M8
6	1	STM7438	Spansteun	Tension support
7	1	STM1024	Bout M6x15	Bolt M6x15
8	1	CT40029	Veerring M6	Spring washer M6
9	1	STM3355	Bout M8x20	Bolt M8x20
10	1	STM1056	Veerring M8	Spring washer M8
11	1	STM3749	Ring M8	Washer M8
12	1	STM7439	V-snaar L=925 mm, 75 A dynamo	V-belt L=925 mm, 75 A dynamo
13	1	STM7440	Motorbedrading	Engine wiring loom
14	1	STM9563	Set 12V - 75 A 1 p dynamo L-serie	Set 12V - 75 A 1 p alternator L-series
15	1	08-01095	Verloopstekker STM1243 -> STM7437	Adaptor STM1243 -> STM7437

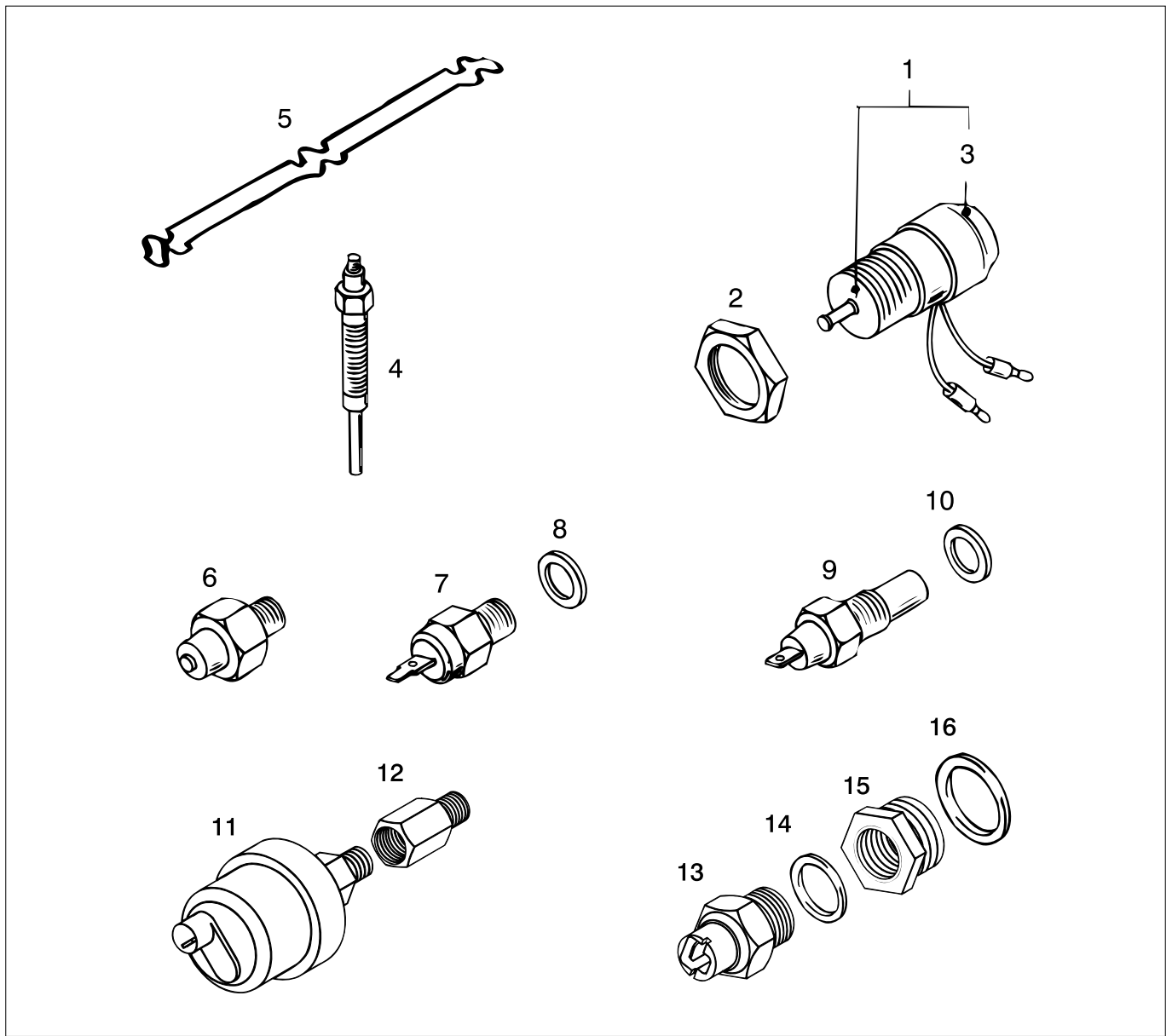


**M3.29**

**Dynamo 12 V - 75 A 1p**

**Alternator 12 V - 75 A Earth return**

pos.	qty	part	benaming	description
1	1	STM7437	Dynamo 12V-75A 1p	Alternator 12V-75A 1p
2	1	STM6121	Bout M8x110	Bolt M8x110
3	1	STM4537	Bus l=30	Bush l=30
4	1	STM1056	Veerring M8	Spring washer M8
5	1	STM2005	Moer M8	Nut M8
6	1	STM7438	Spansteun	Tension support
7	1	STM1024	Bout M6x15	Bolt M6x15
8	1	CT40029	Veerring M6	Spring washer M6
9	1	STM3355	Bout M8x20	Bolt M8x20
10	1	STM1056	Veerring M8	Spring washer M8
11	1	STM3749	Ring M8	Washer M8
12	1	STM7439	V-snaar L=925 mm, 75 A dynamo	V-belt L=925 mm, 75 A dynamo
13	1	08-01310	Motorbedrading	Engine wiring loom
14	1	STM9563	Set 12V - 75 A 1 p dynamo L-serie	Set 12V - 75 A 1 p alternator L-series



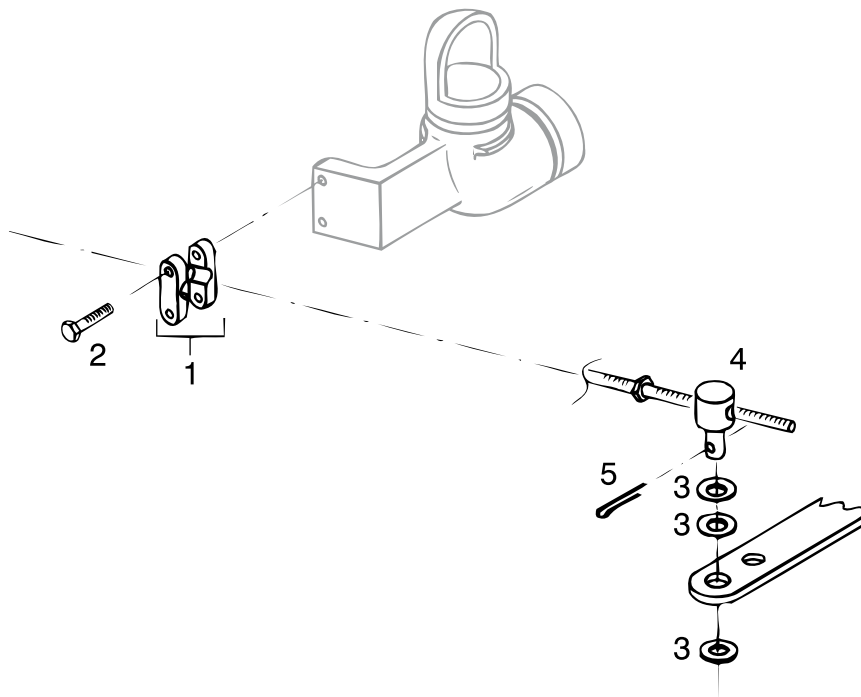
M3.28 M3.29

Zenders+schakelaars

Sender units+switches

pos.	qty	part	benaming	description
1	1	STM6264	Stopmagneet	Solenoid
2	1	STM2742	Moer	Nut
3	1	STM3650	Rubber kap	Rubber cap
4	3	STM6265	Gloeiplug	Glow plug
5	1	STM3932	Strip	Plate
6	1	STM6267	Oliedrukschakelaar M10x1k	Oil pressure switch M10x1k
7	1	STM6268	Temp. schak. 111°C binnenwater M16x1,5 1p	Thermo switch 111°C coolant M16x1,5 1p
8	1	STM7953	Afdichtring	Sealing
9	1	STM2006	Temp. schak. 75°C buitenwater M18x1,5 1p	Thermo switch 75°C rawwater M18x1,5 1p
10	1	STM2019	Afdichtring	Sealing
11	1	CT40083	Oliedrukzender (OILSR08) M10x1k 12-24 V 0-8 bar	Oilpressure sender (OILSR08) M10x1k 12-24 V 0-8 bar
12	1	STM6341	Verloop M10x1 -> M10x1k	Adaptor M10x1 -> M10x1k
13	1	STM8326	Binnenwatertemperatuur zender (TEMPSR120) M14x1,5 12-24 V 40-120°C	Coolant temp. Sender (TEMPSR120) M14x1.5 12-24 V 40-120°C
14	1	STM1062	Afdichtring M14	Sealing M14
15	1	AD14-16	Verloop	Adaptor
16	1	STM6269	Afdichtring M16	Sealing M16



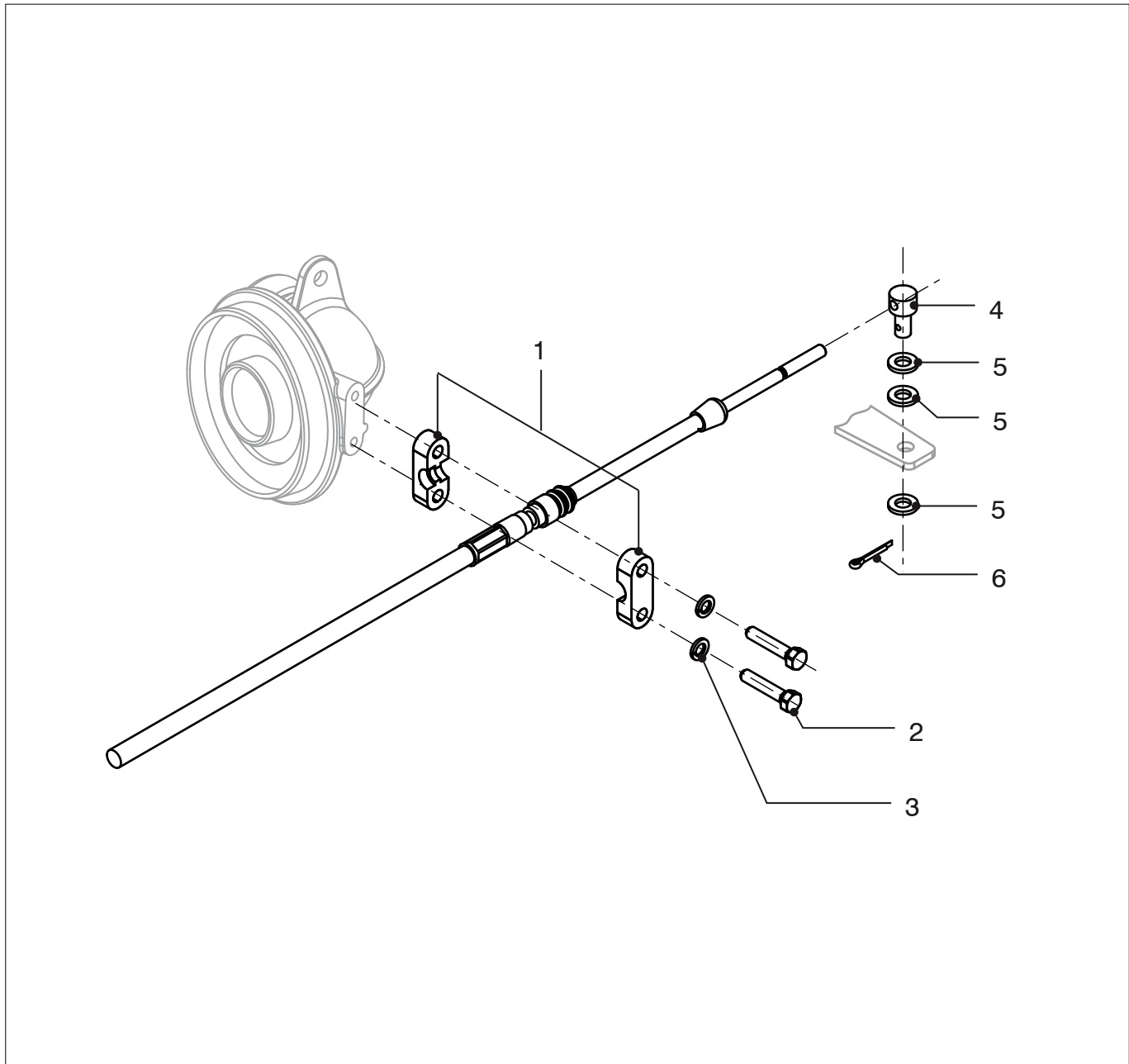


**M3.28**

**Bediening, Gas**

**Control, Throttle**

pos.	qty	part	benaming	description
1	1	STM1703	Kabelklem	Cable clamp
2	2	STM1704	Bout M5x25	Bolt M5x25
3	3	STM1807	Ring	Washer
4	1	STM1806	Nippel	Nipple
5	1	STM1808	Splitpen 2x25	Split pin 2x25

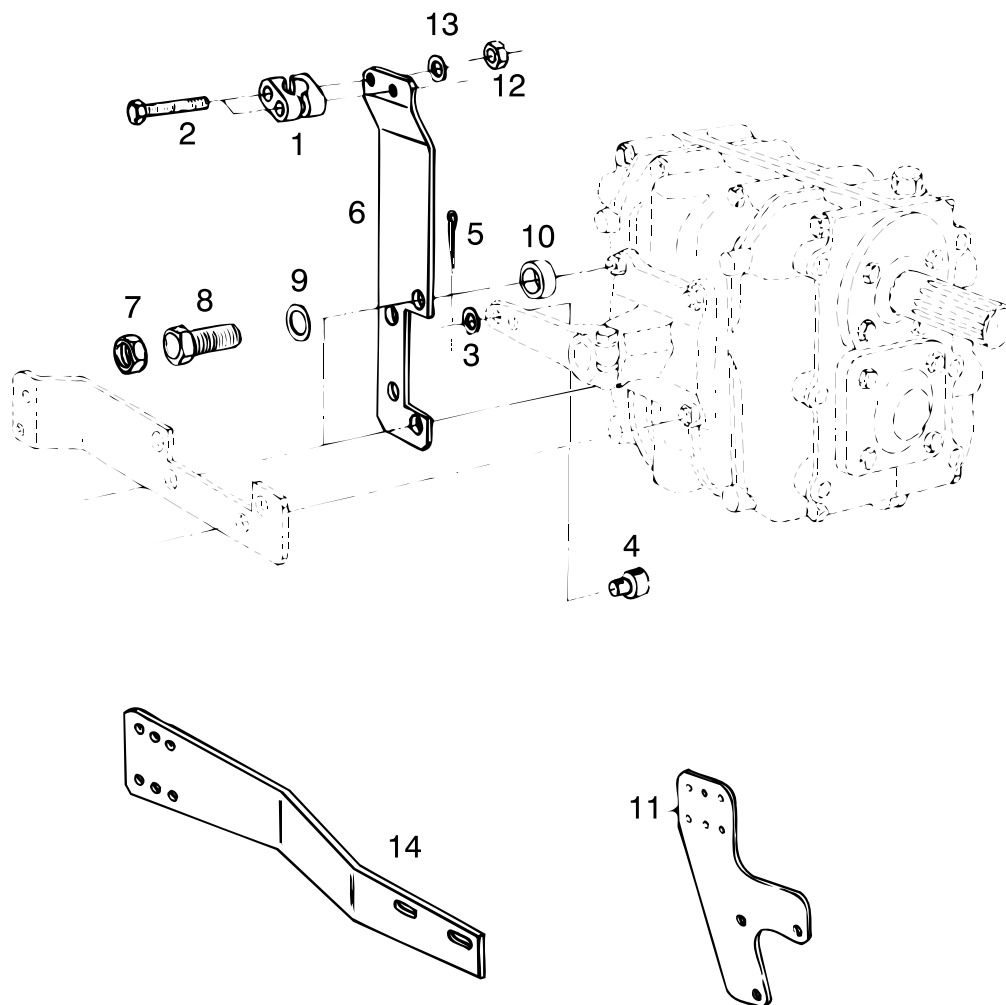


**M3.29**

**Bediening, Gas**

**Control, Throttle**

pos.	qty	part	benaming	description
1	1	STM1703	Kabelklem	Cable clamp
2	2	STM1704	Bout M5x25	Bolt M5x25
3	2	STM7294	Gegolfde veerring M5	Wave spring washer M5
4	1	STM1806	Nippel	Nipple
5	3	STM1807	Ring	Washer
6	1	STM1808	Splitpen 2x25	Split pin 2x25



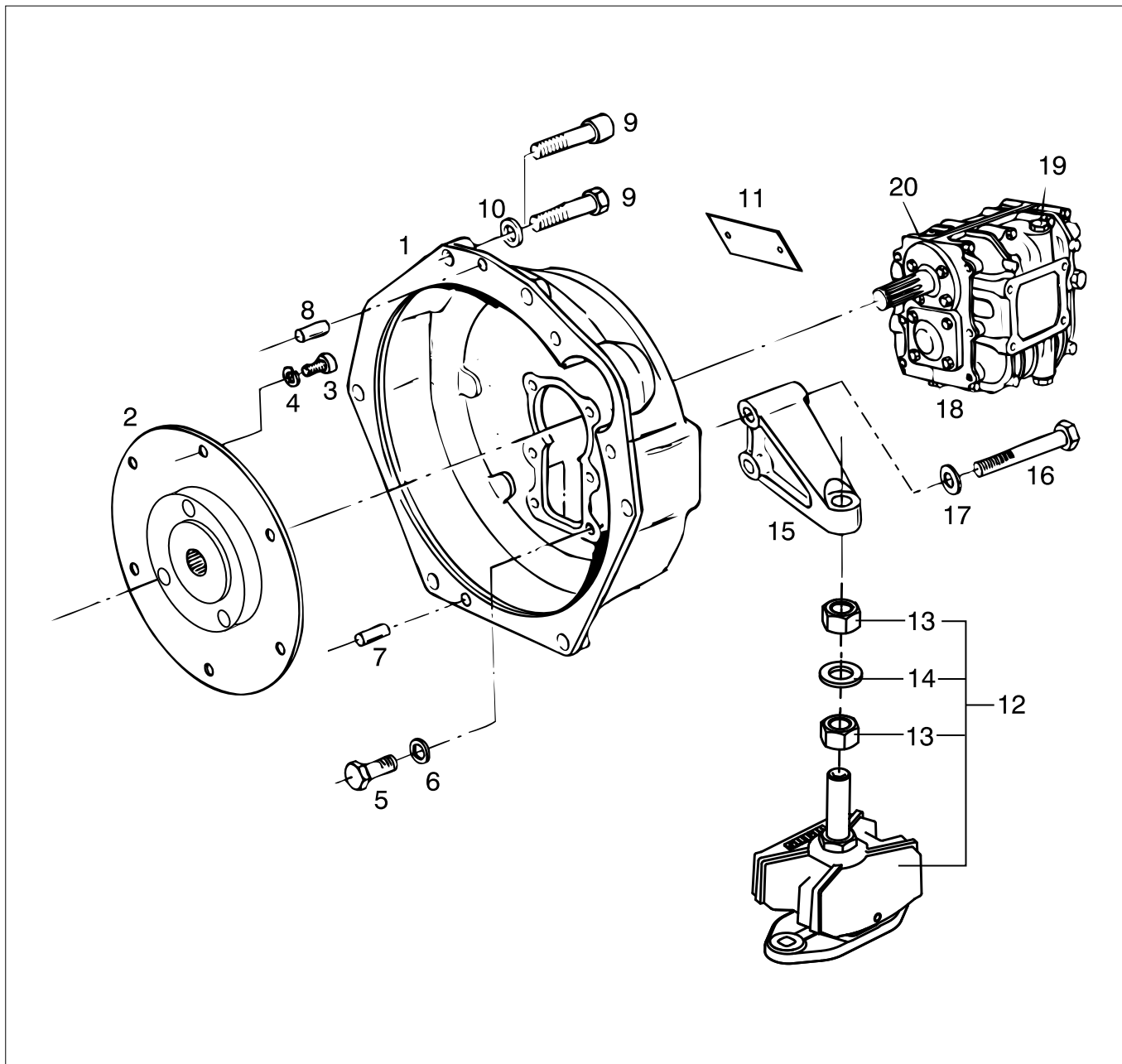
M3.28 M3.29

Bediening, keerkoppeling

Controls, gearbox

pos.	qty	part	benaming	description
1	1	STM1703	Kabelklem	Cable clamp
2	2	STM1704	Bout M5x25	Bolt M5x25
3	1	STM1807	Ring	Washer
4	1	STM1806	Nippel	Nipple
5	1	STM1808	Splitpen 2x25	Split pin 2x25
6	1	STM1851	Steun Hurth	Support Hurth
7	2	STM2005	Moer M8	Nut M8
8	2	STM1610	Bout M8x25	Bolt M8x25
9	2	STM1019	Ring	Washer
10	2	STM1852	Afstandbus	Distance washer
11	1	STM3767	Steun PRM	Support PRM
12	2	STM1705	Moer M5	Nut M5
13	2	STM1707	Ring M5	Washer M5
14	1	STM6238	Steun TMC40	Support TMC40



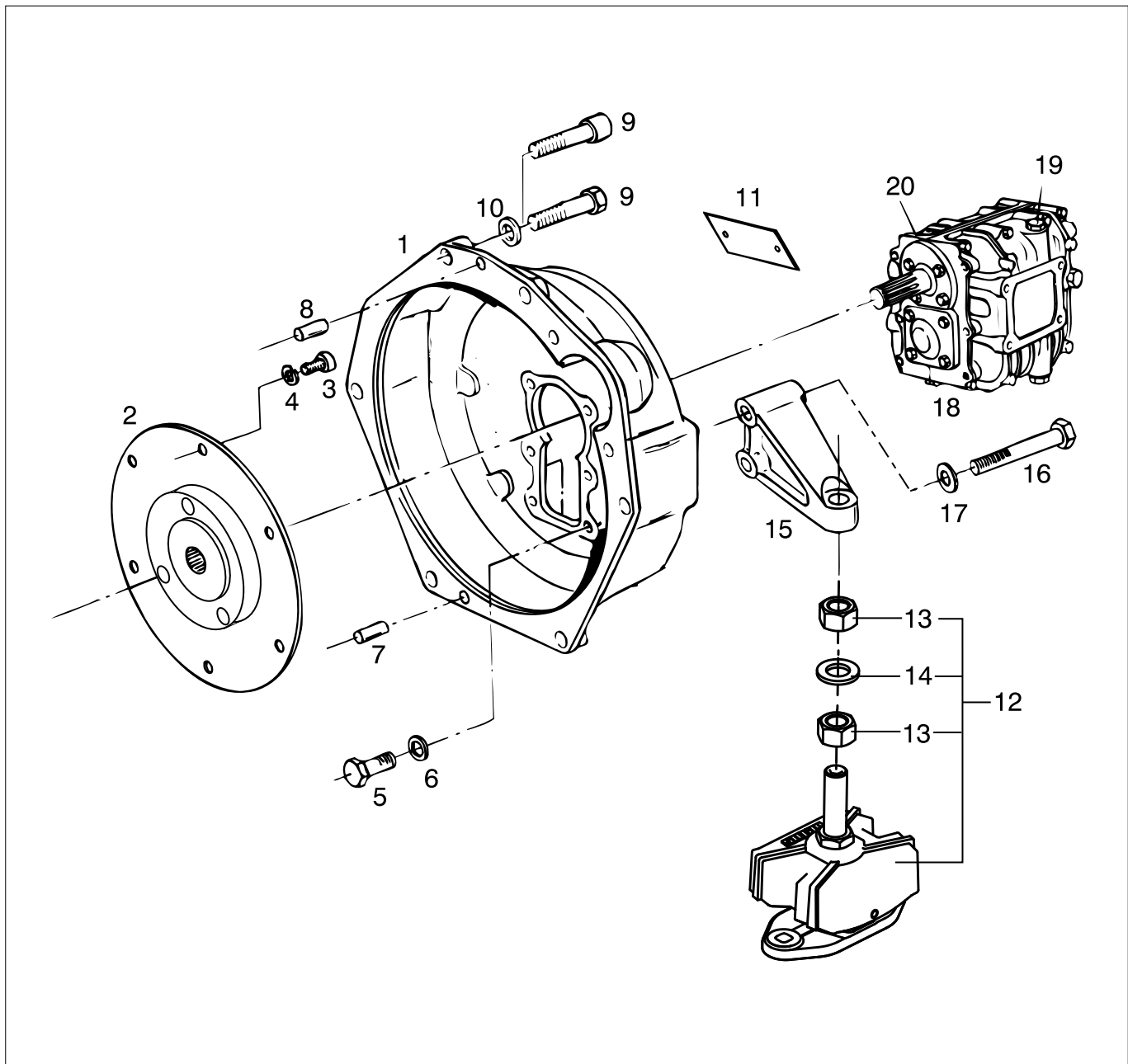


M3.28 M3.29

Vliegwielhuis

Flywheel housing

pos.	qty	part	benaming	description
1	1	STM6293	Vliegwielhuis	Flywheel housing
2	1	STM6106	Demperplaat DIN5464 Z=10 Volvo 110S-120S-120SB	Damperplate DIN5464 Z=10 Volvo 110S-120S-120SB
	1	STM6107	Demperplaat SAE Z=17	Damperplate SAE Z=17
	1	STM4033	Demperplaat TMC kielkoeling	Damperplate TMC keel cooling
3	6	STM6111	Inbusbout M8x16	Allen screw M8x16
4	6	STM1056	Veerring M8	Spring washer M8
5	6	STM1610	Bout M8x25	Allen screw M8x25
6	6	STM1019	Gegolfde veerring M8	Wave spring washer M8
7	1	STM2507	Paspen 8x10 DIN6325	Pin 8x10 DIN6325
8	1	STM6279	Paspen 8x18 DIN6325	Pin 8x18 DIN6325
9	6	STM6345	Inbusbout M12x1,25x70	Allen screw M12x1.25x70
10	6	STM4056	Gegolfde veerring M12	Wave spring washer M12
11	1	STM1054	Type plaatje	Model plate
12	4	K40	Flexibele motorsteun	Flexible engine mount
13	8	STM4010	Moer M16x1,5	Nut M16x1.5

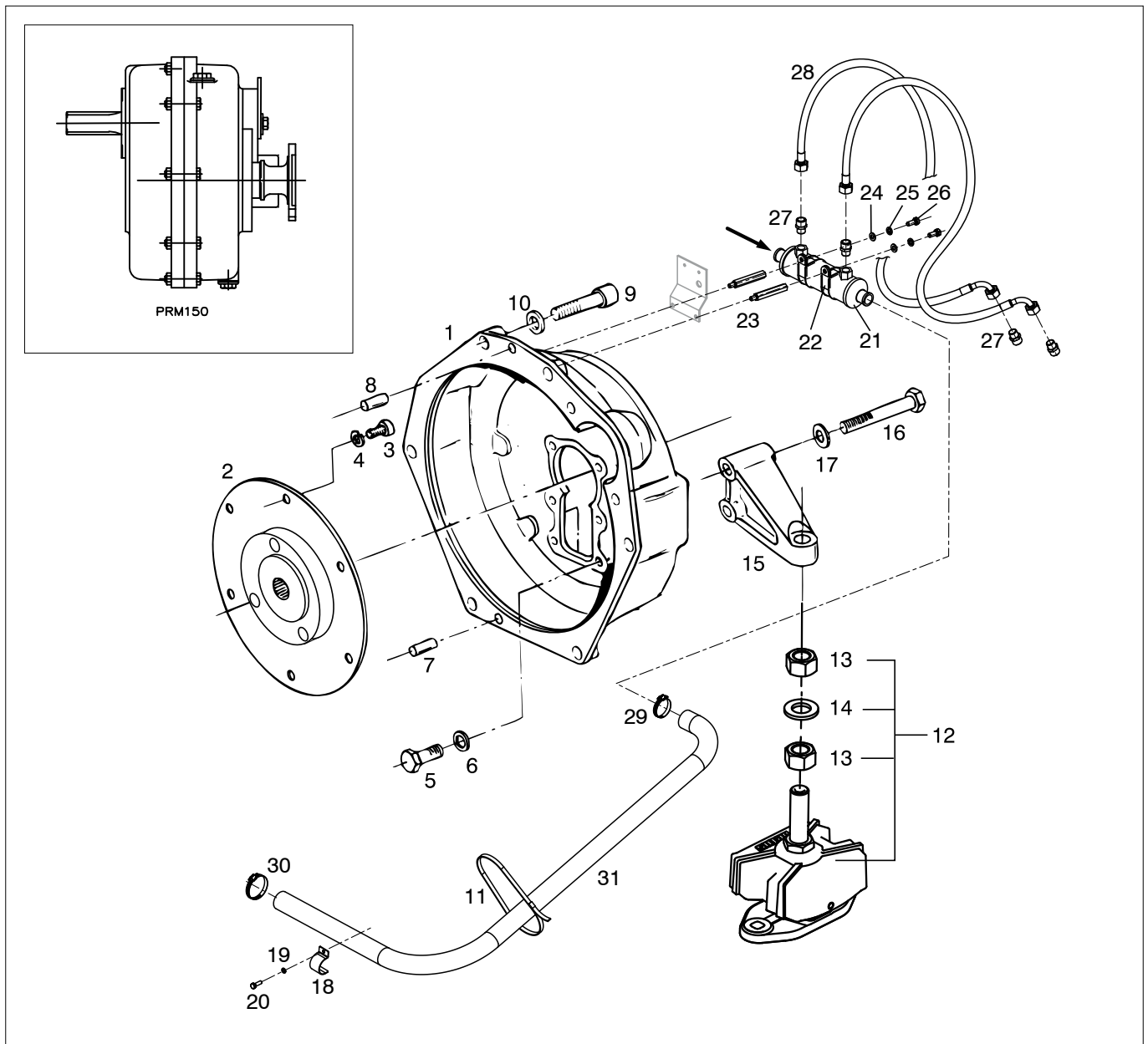


M3.28 M3.29

Vliegwielhuis

Flywheel housing

pos.	qty	part	benaming	description
14	4	STM4011	Ring M16	Washer M16
15	2	STM7584	Motorsteun SB-BB	Enging support SB-PS
16	4	STM7595	Bout M12x1,75x65	Bolt M12x1.75x65
17	4	STM4056	Gegolfde veerring M12	Wave spring washer M12
18	1	STM5352	HBW 35 2R	HBW 35 2R
	1	STM5353	HBW 35 3R	HBW 35 3R
	1	STM5103	HBW 100 3R	HBW 100 3R
	1	STM5162	HBW 150 V2	HBW 150 V2
	1	STM5163	HBW 150 V3	HBW 150 V3
	1	STM5402	TMC40 2:1	TMC40 2:1
	1	STM5403	TMC40 2,6:1	TMC40 2.6:1
19	1	STM5176	Peilstok HBW 35-100	Dipstick HBW 35-100
	1	STM5177	Peilstok HBW 150-125	Dipstick HBW 150-125
20	1	STM5171	Pakkingset HBW100	Gasketset HBW100

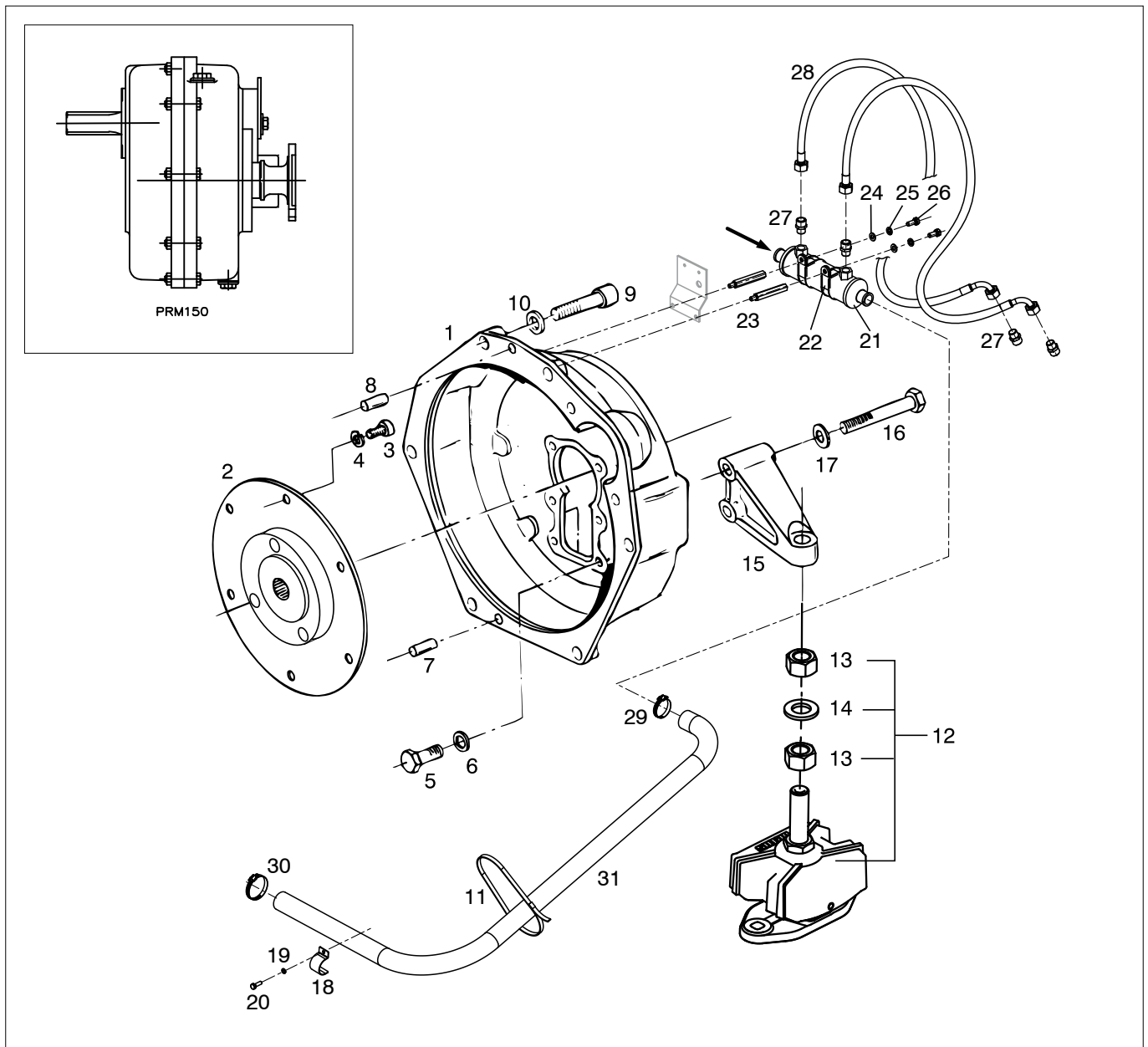


**M3.28**

**Vliegwielhuis PRM150, kielkoeling**

**Flywheel housing PRM150, keelcooling**

pos.	qty	part	benaming	description
1	1	STM6293	Vliegwielhuis	Flywheel housing
2	1	STM4033	Demperplaat TMC40 kielkoeling	Damperplate TMC40 keelcooling
		STM4033	Demperplaat PRM150 kielkoeling	Damperplate PRM150 keelcooling
3	6	STM6111	Inbusbout M8x16	Allen screw M8x16
4	6	STM1056	Veerring M8	Spring washer M8
5	6	STM1610	Bout M8x25	Allen screw M8x25
6	6	STM1019	Gegolfde veerring M8	Wave spring washer M8
7	1	STM2507	Paspen 8x10 DIN6325	Pin 8x10 DIN6325
8	1	STM6279	Paspen 8x18 DIN6325	Pin 8x18 DIN6325
9	6	STM6345	Inbusbout M12x1,25x70	Allen screw M12x1.25x70
10	6	STM4056	Gegolfde veerring M12	Wave spring washer M12
11	1	STM9678	Kabelbundelband	Cable ty
12	4	KSTEUN40	Flexibele motorsteun	Flexible engine Mount
13	8	STM4010	Moer M16x1,5	Nut M16x1.5
14	4	STM4011	Ring M16	Washer M16
15	2	STM7584	Motorsteun SB-BB	Enging support SB-PS



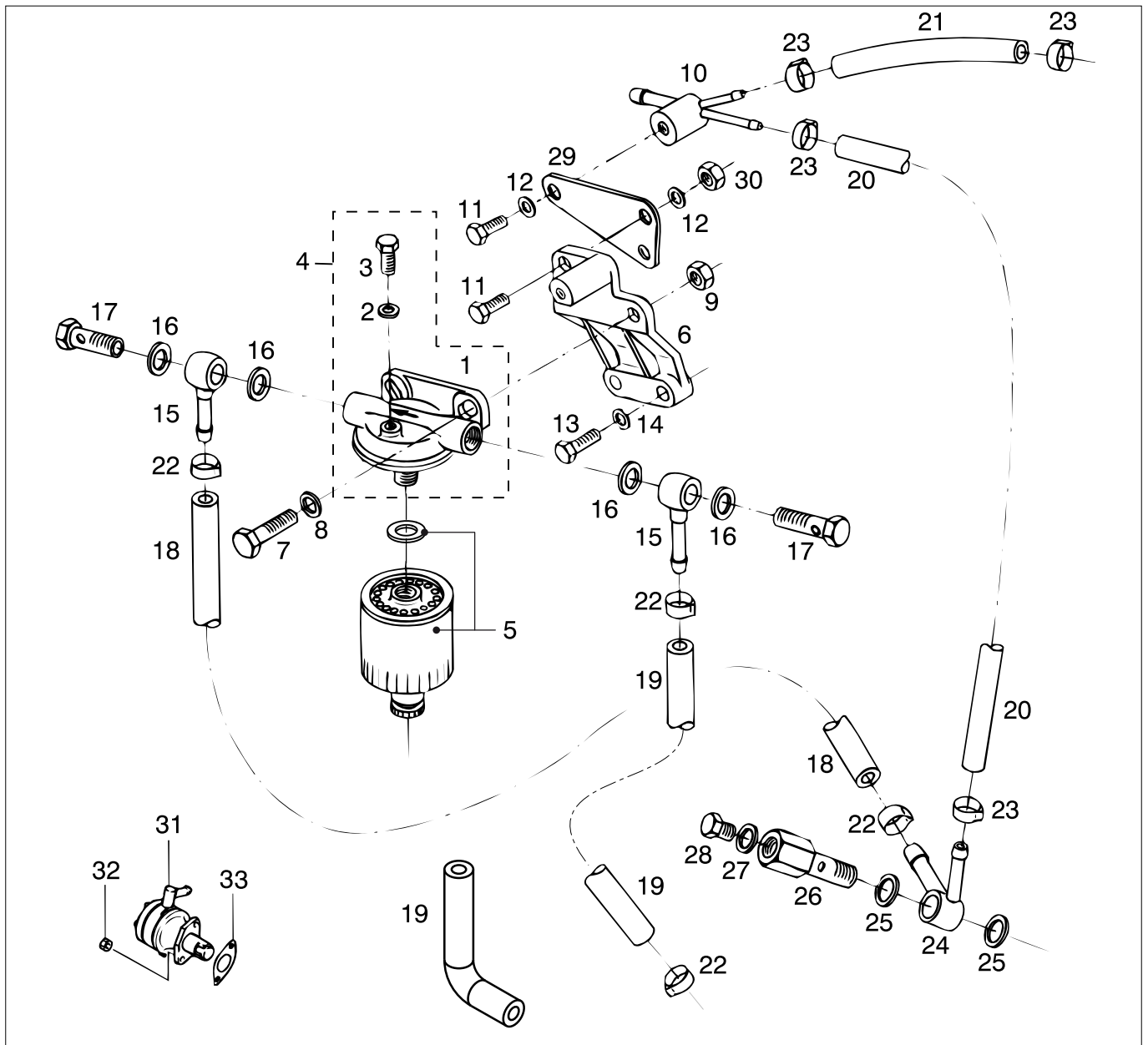
**M3.28**

**Vliegwielhuis PRM150, kielkoeling**

**Flywheel housing PRM150, keelcooling**

pos.	qty	part	benaming	description
16	4	STM7595	Bout M12x1,75x65	Bolt M12x1.75x65
17	4	STM4056	Gegolfde veerring M12	Wave spring washer M12
18	1	STM6346	Zadel	Clamp
19	1	STM8568	Gegolfde veerring M6	Wave spring washer M6
20	1	STM1029	Bout M6 x 12	Bolt M6 x 12
21	1	STM5007	Oliekoeler 7" x ø 55 - G 3/8 slangaansl. ø 25	Oil cooler 7" x ø 55 - G 3/8 hose conn. ø 25
22	2	STM8208	Klem ø 55	Clamp ø 55
23	2	08-01032	Afstandsstuk L = 77	Stud L = 77
24	2	STM1653	Ring	Washer
25	2	STM1056	Veerring M8	Spring washer M8
26	2	STM3355	Bout M8 x 20	Bolt M8 x 20
27	4	STM3491	Nippel M16 - G 3/8	Nipple M16 - G 3/8
28	2	CT50079	Slang L = 550	Hose L = 550
29	1	STM6116	Slangklem	Hose clamp
30	1	STM6116	Slangklem	Hose clamp
31	1	08-01033	Slang ø 25 L = 740	Hose ø 25 L = 740



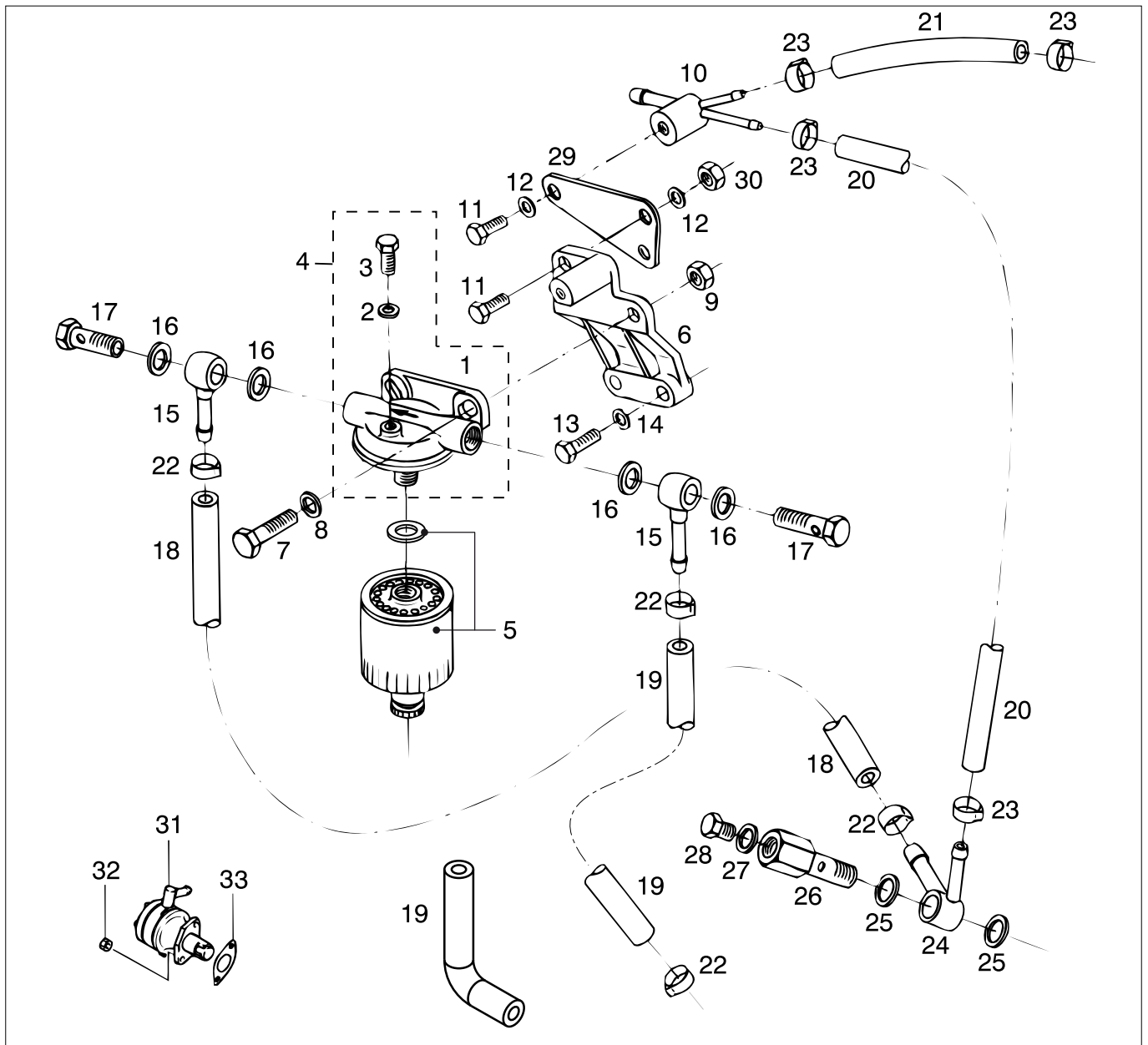


**M3.28**

**Brandstoffilter**

**Fuel filter**

pos.	qty	part	benaming	description
1	1	STM6050	Filterkop	Filter head
2	1	STM3797	Ring	Washer
3	1	STM3696	Bout M8x10	Bolt M8x10
4	1	STM6049	Filterkop compl. 1+2+3	Filter head complete 1+2+3
5	1	STM3690	Brandstoffilter	Fuelfilter
6	1	STM6115	Steun	Support
7	2	STM4013	Bout M10x30	Bolt M10x30
8	2	STM4061	Ring	Washer
9	2	STM4018	Moer M10	Bolt M10
10	1	STM6180	Nippel	Nipple
11	2	STM1030	Bout M6x20	Bolt M6x20
12	2	STM1025	Ring	Washer
13	2	STM7059	Bout M8x30	Bolt M8x30
14	2	STM1019	Ring	Washer
15	2	STM9262	Banjo oog	Banjo eye
16	4	STM7056	Ring	Washer
17	2	STM8057	Banjo bout M12x1	Banjo bolt M12x1

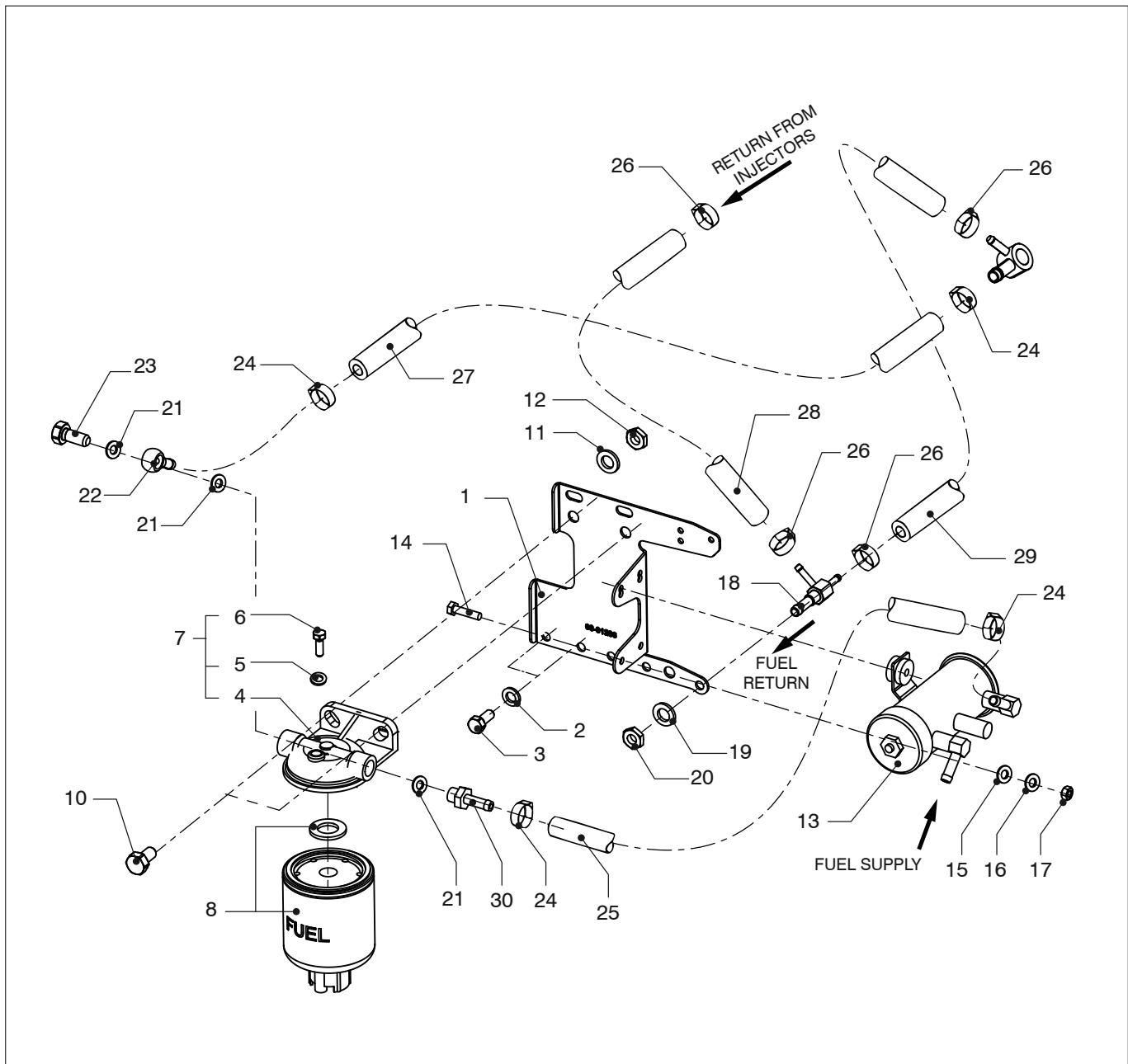


**M3.28**

**Brandstoffilter**

**Fuel filter**

pos.	qty	part	benaming	description
18	1	STM6189	Brandstofslang Ø8 L=0,28 mtr	Fuel hose Ø8 L=0.28 mtr
19	1	STM6190	Brandstofslang Ø8 L=0,20mtr 2008<-	Fuel hose Ø8 L=0.20mtr 2008<-
	1	STM9468	Brandstofslang, voorgevormd 2008->	Fuel hose, pre shaped 2008->
20	1	STM6285	Brandstofslang Ø5 L=0,29 mtr	Fuel hose Ø5 L=0.29 mtr
21	1	STM6192	Brandstofslang Ø5 L=0,08 mtr	Fuel hose Ø5 L=0.08 mtr
22	4	STM6185	Klem	Clamp
23	4	STM6186	Klem	Clamp
24	1	STM6256	Banjo oog ø 8 mm	Banjo eye 8 mm dia.
25	2	STM6255	Ring	Washer
26	1	STM6257	Banjo bout	Banjo bolt
27	1	STM6258	Ring	Washer
28	1	STM6259	Bout	Bolt
29	1	STM6291	Steun	Support
30	1	STM3260	Moer M6	Nut M6
31	1	STM1127	Brandstofopvoer pomp	Pump assy fuel
32	2	STM3260	Moer	Nut
33	1	STM1128	Pakking	Gasket

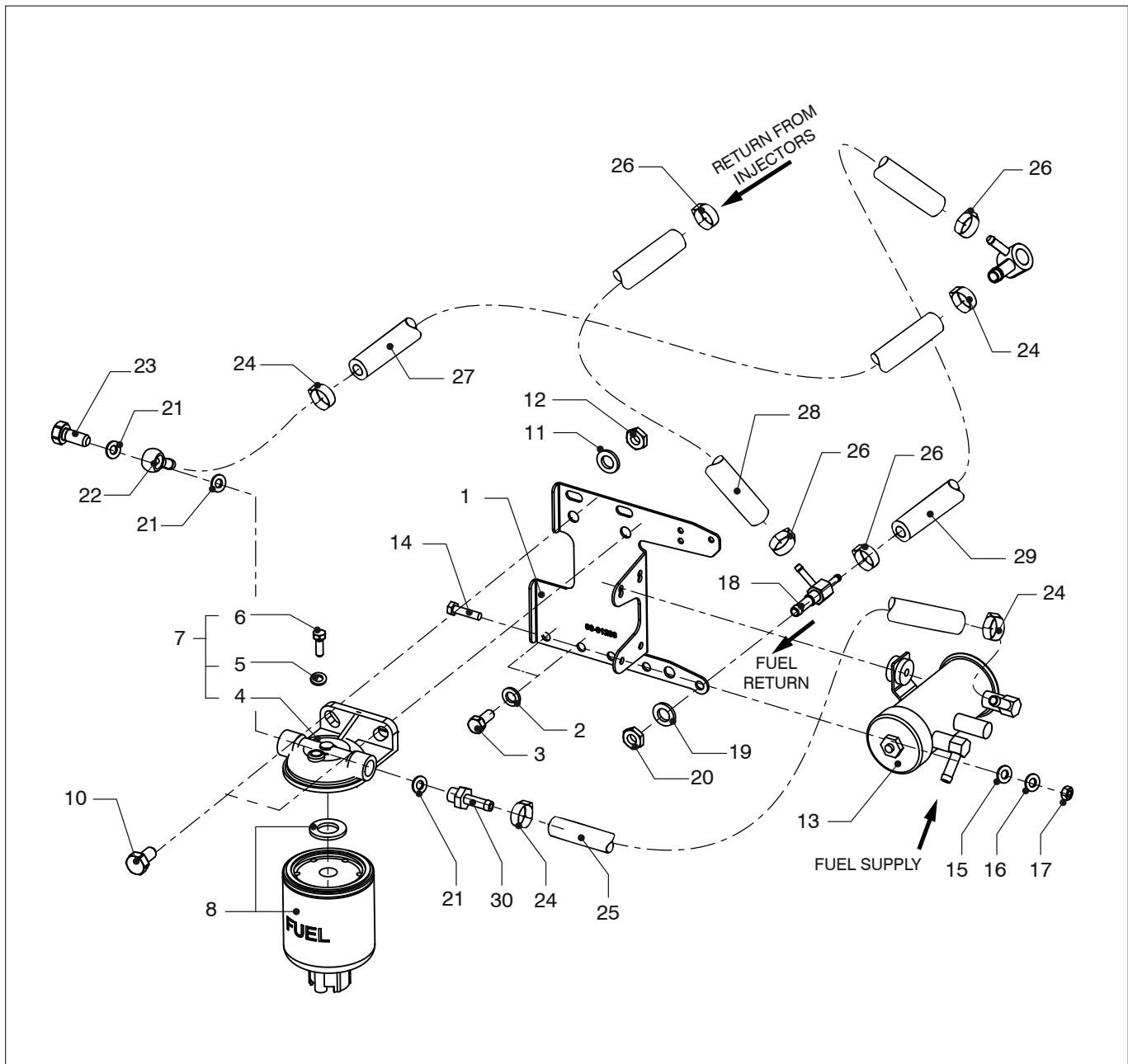


**M3.29**

**Brandstoffilter**

**Fuel filter**

pos.	qty	part	benaming	description
1	1	08-01286	Steun	Support
2	2	STM1056	Veerring M8	Spring washer M8
3	2	STM4055	Bout M8x16	Bolt M8x16
4	1	STM6050	Filterkop	Filter head
5	1	STM3779	Afdichtring	Seal washer
6	1	STM3796	Bout M8x1,25x10	Bolt M8x1,25x10
7	1	STM6049	Filterkop compleet 4+5+6	Filter heat cpl. 4+5+6
8	1	STM3690	Brandstof filter	Fuel filter
10	2	STM4016	Bout M10x1,5x20	Bolt M10x1,5x20
11	2	STM4061	Gegolfde veerring M10	Wave spring washer M10
12	2	STM4018	Moer M10	Nut M10
13	1	08-01297	Electrische brandstofopvoerpomp	Electric fuel lift pump
14	2	STM8372	Bout M6x25	Bolt M6x25
15	2	STM8726	Sluitring M6	Plain washer M6
16	2	STM1025	Gegolfde veerring M6	Wave spring washer M6
17	2	STM8569	Moer M6	Nut M6

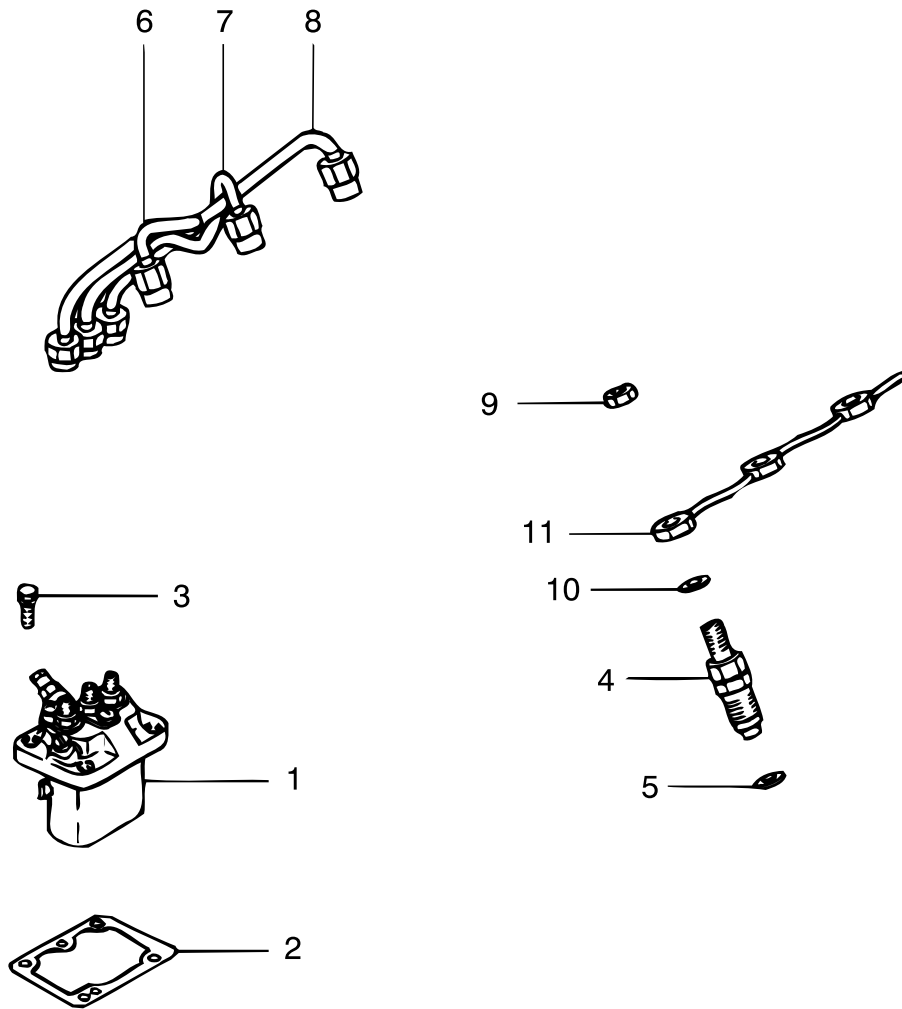


**M3.29**

**Brandstoffilter**

**Fuel filter**

pos.	qty	part	benaming	description
18	1	08-01302	Brandstof retour nippel Ø8mm	Fuel return nipple Ø8mm
19	1	STM2022	Gegolfde veerring M10	Wave spring washer M10
20	1	08-01289	Lage moer M10x1	Thin nut M10x1
21	3	STM7056	Afdichtring M12	Seal washer M12
22	1	STM9262	Banjo-oog	Banjo eye
23	1	STM8057	Banjo bout M12x1	Banjo bolt M12x1
24	4	STM6185	Klem	Clamp
25	1	08-01304	Slang ø8 L=170 mm	Hose ø8 L=170 mm
26	4	STM6186	Klem	Clamp
27	1	08-01381	Slang ø8 L=475 mm	Hose ø8 L=475 mm
28	1	08-01379	Slang ø5 L=170 mm	Hose ø8 L=170 mm
29	1	08-01380	Slang ø5 L=330 mm	Hose ø8 L=330 mm
30	1	STM4591	Slangpilaar M12x1-ø8	Hose pillar M12x1-ø8

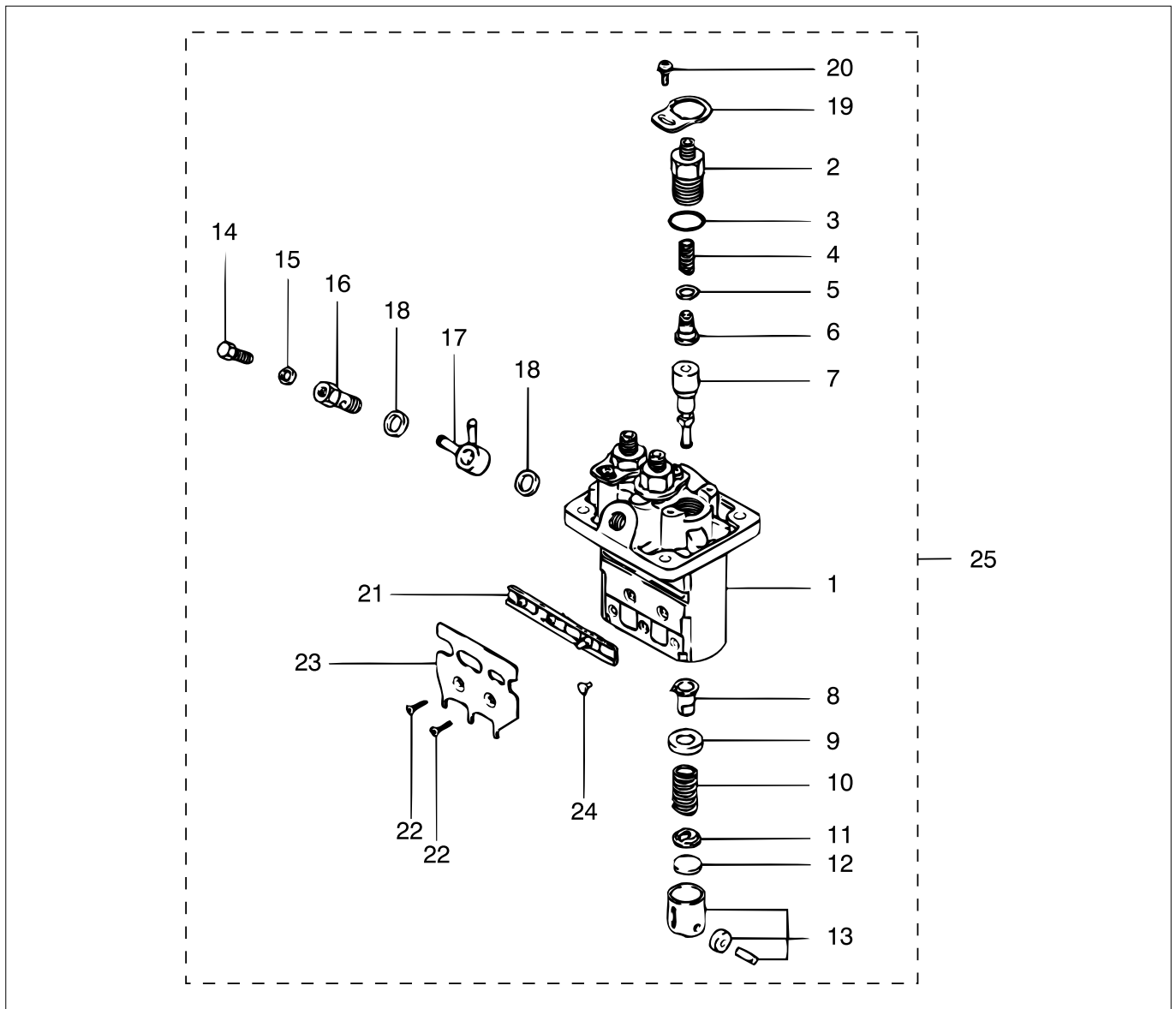


M3.28 M3.29

Brandstofsysteem

Fuel system

pos.	qty	part	benaming	description
1	1	STM6284	Brandstofpomp	Fuel pump
2	1	STM3946	Shim 0,2	Shim 0.2
	1	STM3947	Shim 0,3	Shim 0.3
	1	STM3948	Shim 0,4	Shim 0.4
	1	STM3949	Shim 0,5	Shim 0.5
	1	STM3950	Shim 0,6	Shim 0.6
	1	STM3951	Shim 0,7	Shim 0.7
	1	STM3952	Shim 0,8	Shim 0.8
	1	STM3953	Shim 0,9	Shim 0.9
	1	STM3954	Shim 1,0	Shim 1.0
3	4	STM1297	Bout	Bolt
4	3	STM9833	Verstuiver & houder	Nozzle & holder
5	3	STM1299	Pakking	Gasket
6	1	STM3955	Brandstofleiding no.1	Fuel pipe no.1
7	1	STM3956	Brandstofleiding no.2	Fuel pipe no.2
8	1	STM3957	Brandstofleiding no.3	Fuel pipe no.3
9	1	STM1302	Moer	Nut
10	3	STM1303	Pakking	Gasket
11	1	STM3958	Retourleiding	Return pipe

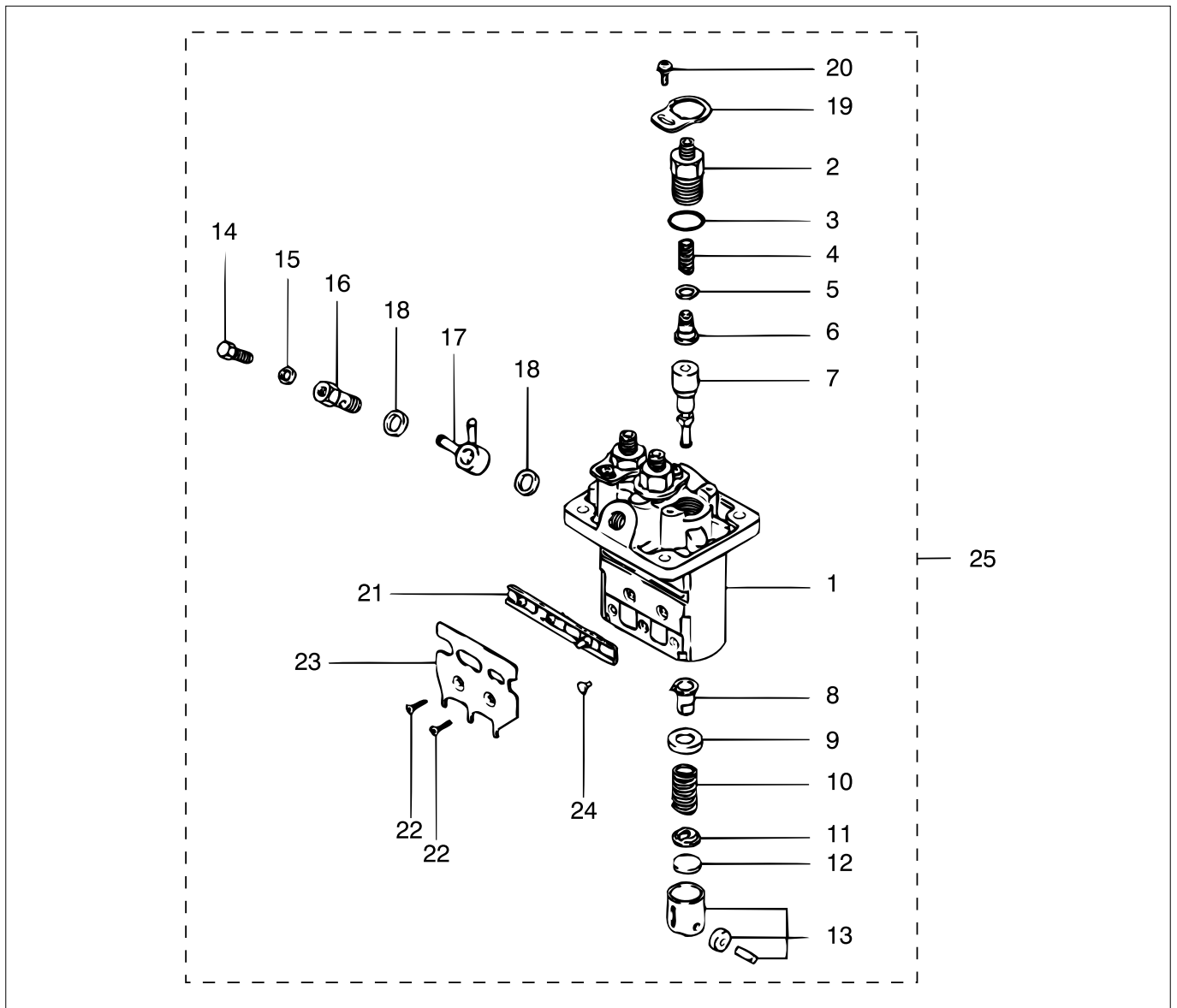


M3.28 M3.29

Brandstofpomp

Fuel pump

pos.	qty	part	benaming	description
1	1	STM3959	Huis	House sub assy
2	3	STM1306	Houder	Holder
3	3	STM1307	O-ring	O-ring
4	3	STM1308	Veer	Spring
5	3	STM1309	Afdichting	Gasket
6	3	STM1310	Klep onder	Valve sub assy
7	3	STM1428	Element onder	Element sub assy
8	3	STM1312	Bus	Sleeve
9	3	STM1313	Zitting	Seat
10	3	STM1314	Veer	Spring
11	3	STM1315	Veer	Spring
12	1	STM1316	Shim 1,85	Shim 1,85
	1	STM1317	Shim 1,9	Shim 1,9
	1	STM1318	Shim 1,95	Shim 1,95
	1	STM1319	Shim 2,0	Shim 2,0
	1	STM1320	Shim 2,05	Shim 2,05
	1	STM1321	Shim 2,1	Shim 2,1
	1	STM1322	Shim 2,15	Shim 2,15
	1	STM1323	Shim 2,2	Shim 2,2

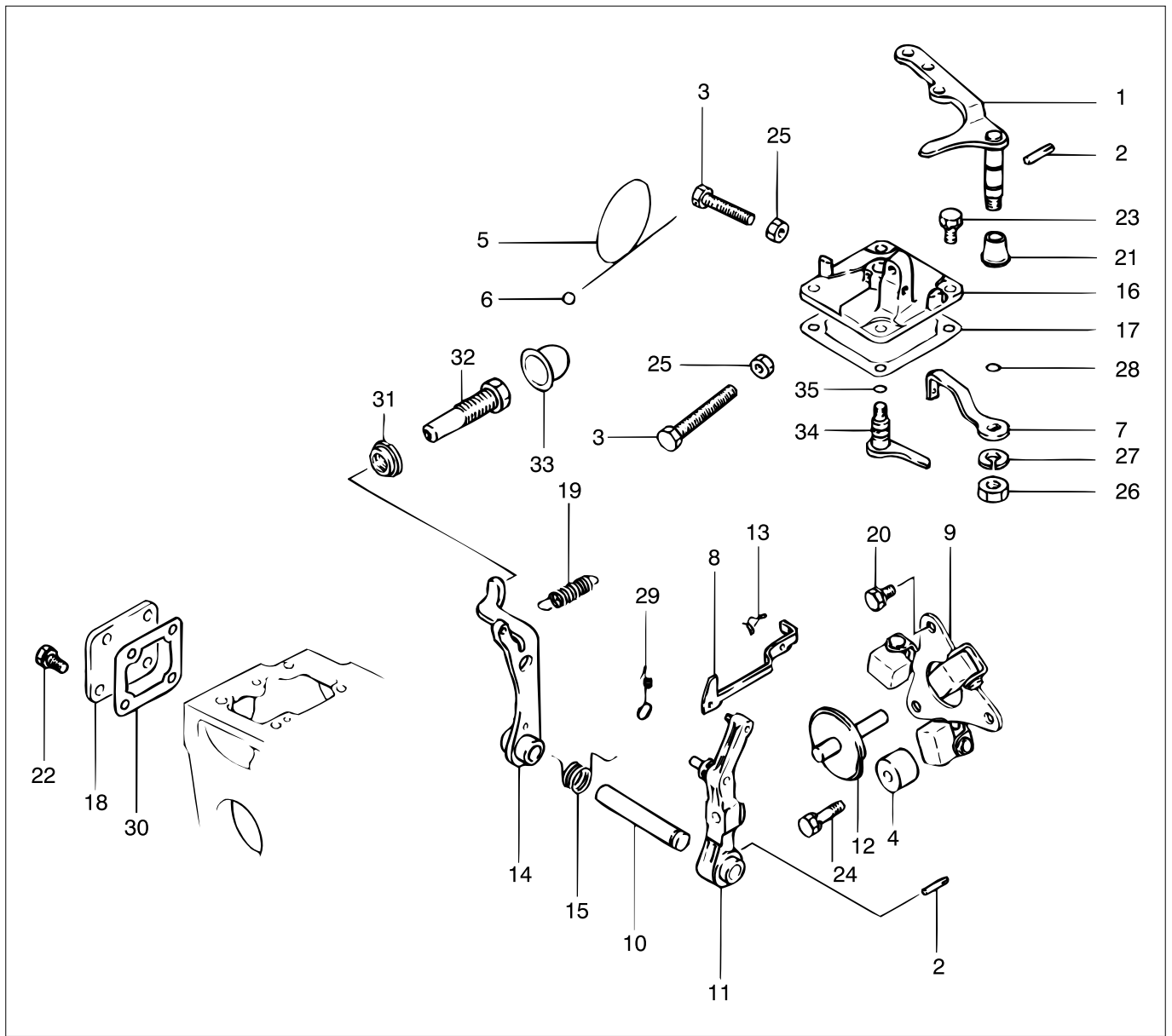


M3.28 M3.29

Brandstofpomp

Fuel pump

pos.	qty	part	benaming	description
	1	STM1324	Shim 2,25	Shim 2,25
	1	STM1325	Shim 2,3	Shim 2,3
	1	STM1326	Shim 2,35	Shim 2,35
	1	STM1327	Shim 2,4	Shim 2,4
	1	STM1328	Shim 2,45	Shim 2,45
	1	STM1329	Shim 2,5	Shim 2,5
13	3	STM1330	Klepstoter	Tappet assy
14	1	STM6259	Bout	Bolt
15	1	STM6258	Ring	Washer
16	1	STM6257	Banjo bout	Hollow screw
17	1	STM3960	Banjo oog ø 8 mm	Banjo eye 8 mm
18	2	STM6255	Ring	Washer
19	3	STM1331	Borgplaat	Lock plate
20	3	STM1332	Schroef	Screw
21	1	STM3961	Heugel	Rack assy
22	2	STM1334	Schroef	Screw
23	1	STM3962	Beugel	Bracket
24	3	STM1336	Pen	Pin
25	1	STM6284	Brandstofpomp	Fuel pump



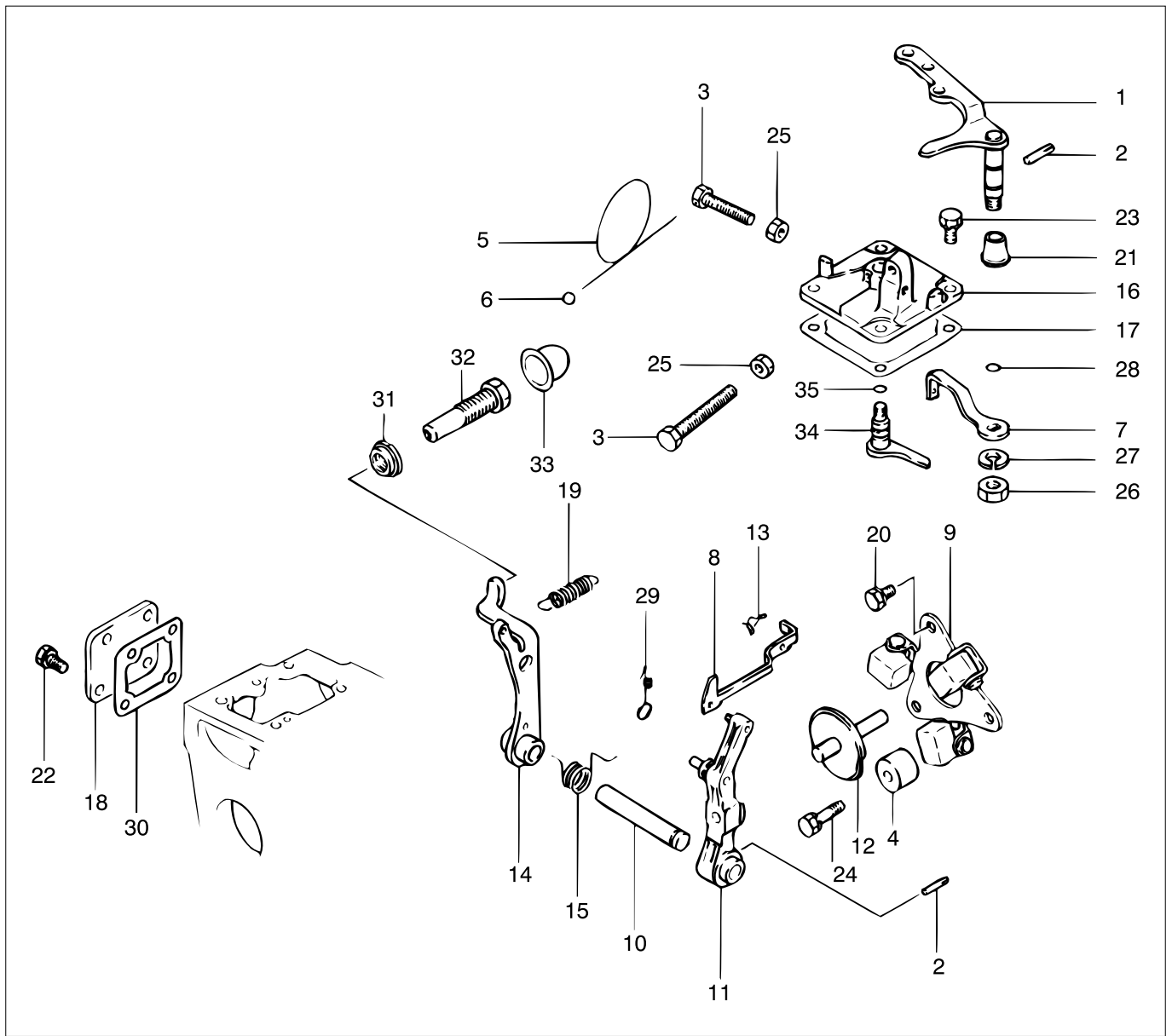
M3.28 M3.29

Regulateur

Regulator

pos.	qty	part	benaming	description
1	1	STM1337	Hefboom	Lever assy
2	2	STM1338	Pen	Pin
3	2	STM2720	Bout	Bolt
4	1	STM1339	Stop	Stopper
5	1	STM2719	Draad	Wire
6	1	STM1340	Zegellood	Metal sealing
7	1	STM1341	Hefboom	Lever
8	1	STM1342	Stang	Rod,tie
9	1	STM3964	Verzwaren	Weight assy
10	1	STM1344	As	Shaft
11	1	STM1345	Hefboom	Lever
12	1	STM1346	As	Shaft assy
13	1	STM3966	Clip	Clip
14	1	STM1348	Hefboom	Lever
15	1	STM1349	Veer	Spring
16	1	STM1352	Deksel	Cover
17	1	STM3928	Pakking	Gasket
18	1	STM1363	Deksel	Cover



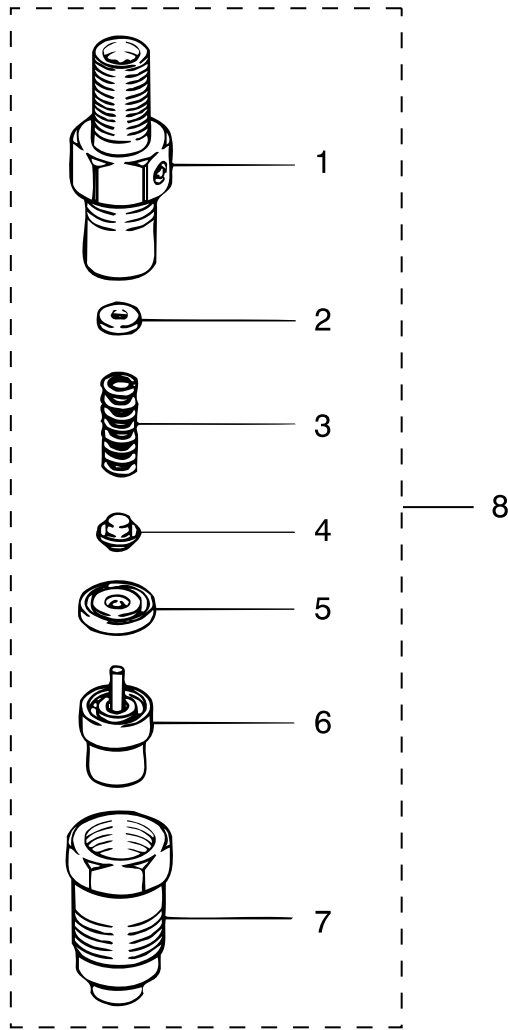


M3.28 M3.29

Regulateur

Regulator

pos.	qty	part	benaming	description
19	1	STM1441	Roze veer	Spring pink
20	2	STM2737	Bout	Bolt
21	1	STM3973	Kap	Cap
22	4	STM1366	Bout	Bolt
23	4	STM1367	Bout	Bolt
24	1	STM1368	Bout	Bolt
25	2	STM1369	Moer	Nut
26	1	STM1370	Moer	Nut
27	1	STM1371	Ring	Washer
28	1	STM1372	O-ring	O-ring
29	1	STM1373	Borgring	Ring snap
30	1	STM3925	Pakking	Gasket
31	1	STM1439	Borgmoer	Lock nut
32	1	STM1440	Stelbout	Set bolt
33	1	STM1362	Deksel	Cover
34	1	STM3971	Stang	Rod, tie
35	1	STM3972	Pakking	Gasket

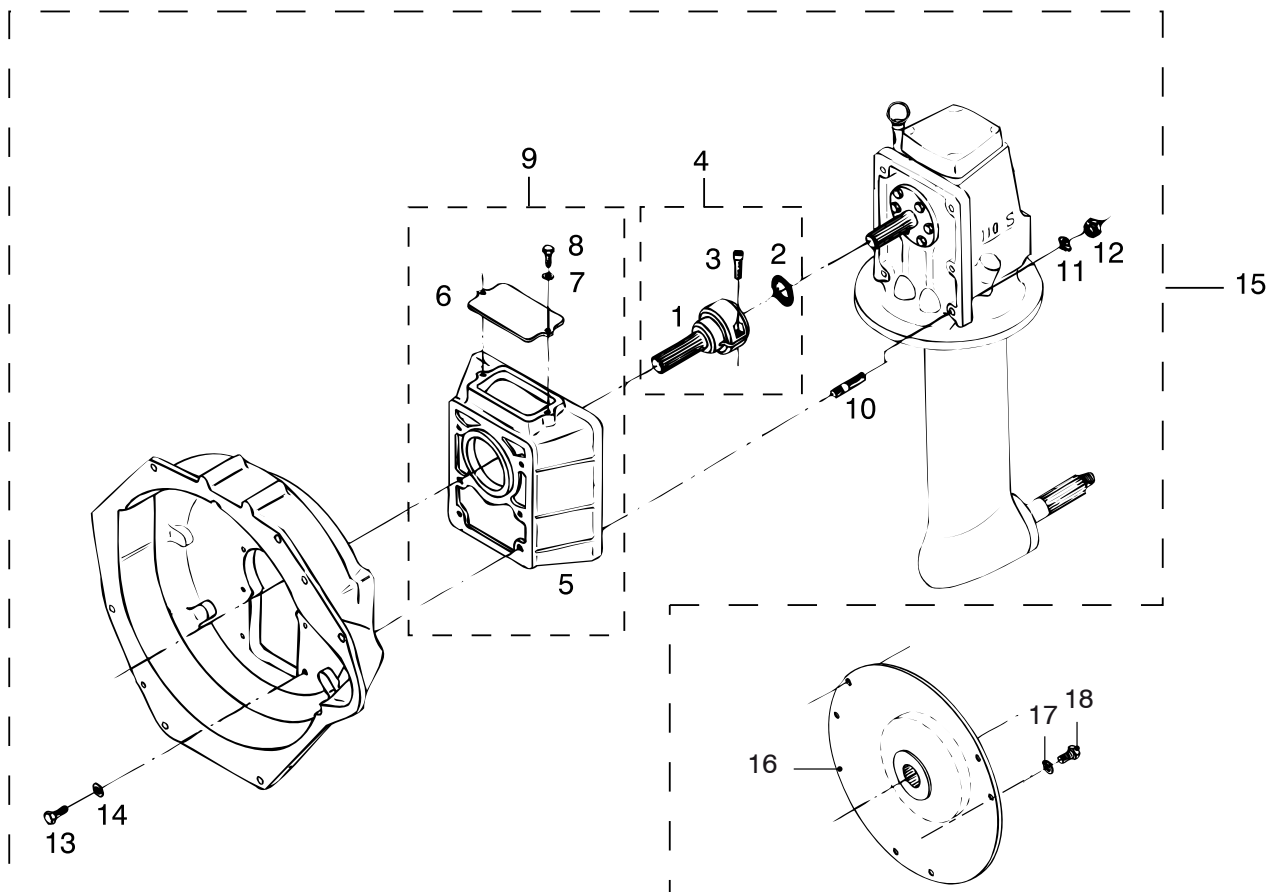


M3.28 M3.29

Verstuiverhouder

Nozzle holder

pos.	qty	part	benaming	description
1	2	STM1377	Verstuiverhouder	Body sub assy
2	1	STM1378	Shim 1,25	Shim 1.25
	1	STM1379	Shim 1,3	Shim 1.3
	1	STM1380	Shim 1,35	Shim 1.35
	1	STM1381	Shim 1,4	Shim 1.4
	1	STM1382	Shim 1,45	Shim 1.45
	1	STM1383	Shim 1,5	Shim 1.5
	1	STM1384	Shim 1,55	Shim 1.55
	1	STM1385	Shim 1,6	Shim 1.6
	1	STM1386	Shim 1,65	Shim 1.65
3	3	08-01036	Veer	Spring
4	3	STM1389	Pen	Pin
5	3	STM1390	Afstandstuk	Distance piece
6	3	08-01035	Verstuiver	Nozzle assy
7	3	STM1392	Moer	Nut
8	3	STM9833	Verstuiver cpl	Nozzle cpl

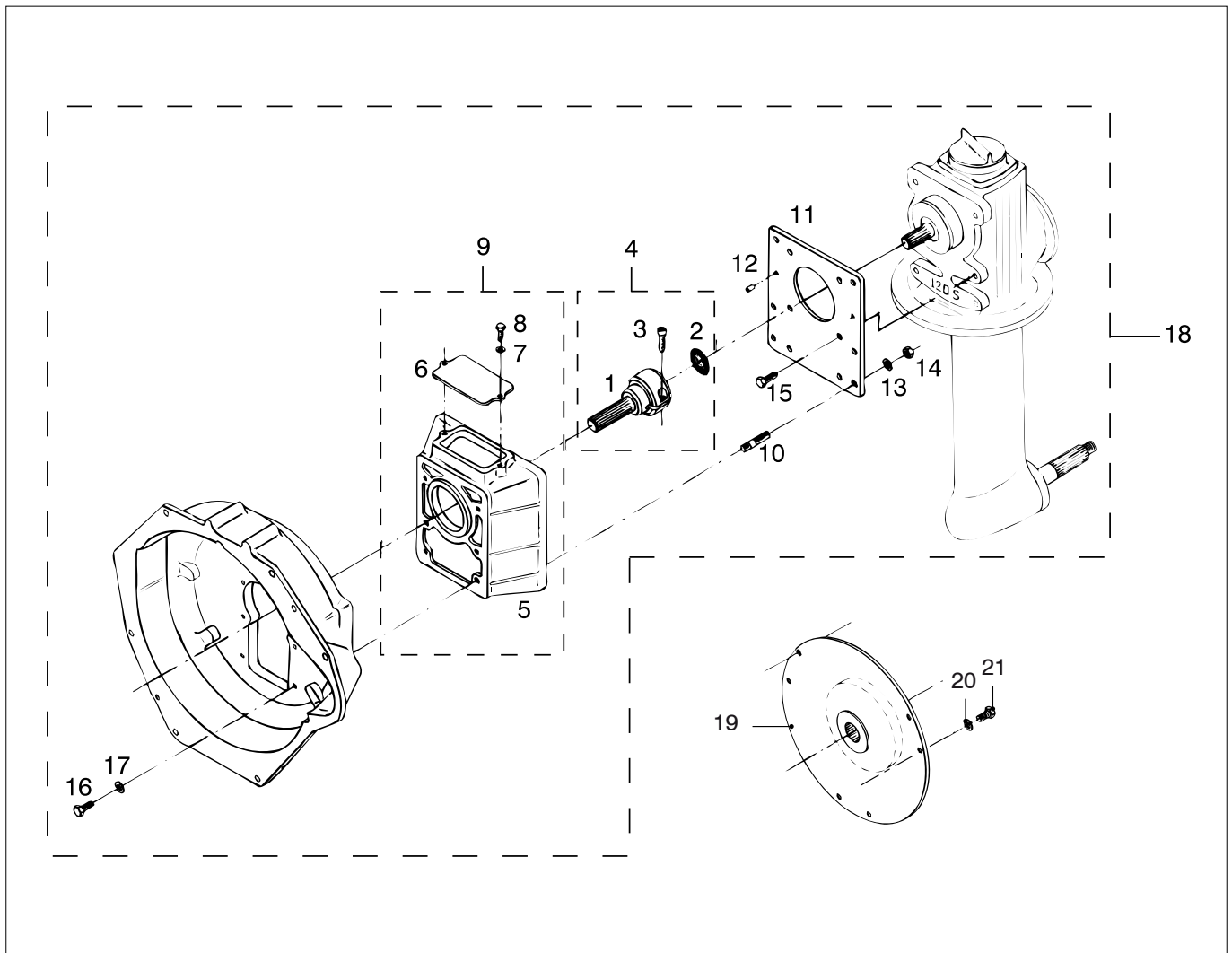


M3.28 M3.29

Verloopset saildrive 110S

Adaptor kit saildrive 110S

pos.	qty	part	benaming	description
1	1	STM7605	Koppeling	Coupling
2	1	STM7607	O-ring	O-ring
3	2	STM8332	Inbusbout M8x30	Allen screw M8x30
4	1	STM7611	Koppeling compleet (1+2+3)	Coupling cpl.(1+2+3)
5	1	STM7601	Adapterhuis	Adaptor case
6	1	STM7603	Deksel	Cover
7	2	STM1025	Gegolfde veerring M6	Wave spring washer M6
8	2	STM1024	Bout M6x15	Bolt M6x15
9	1	STM7612	Adapterhuis cpl. (5+6+7+8)	Adaptor case cpl. (5+6+7+8)
10	6	STM7615	Tapeind M10x45	Stud M10x45
11	6	STM2022	Gegolfde veerring M10	Vave spring washer M10
12	6	STM4018	Moer M10	Nut M10
13	6	STM1651	Bout M8x35	Bolt M8x35
14	6	STM1019	Gegolfde veerring M8	Wave spring washer M8
15	1	STM7614	Aanbouwset cpl.	Adaptor kit cpl.
16	1	STM4104	Demperplaat DIN splines Z=10	Damper plate DIN splines Z=10
17	6	STM1056	Veerring M8	Spring washer M8
18	6	STM4055	Bout M8x1,25x16	Bolt M8x1.25x16

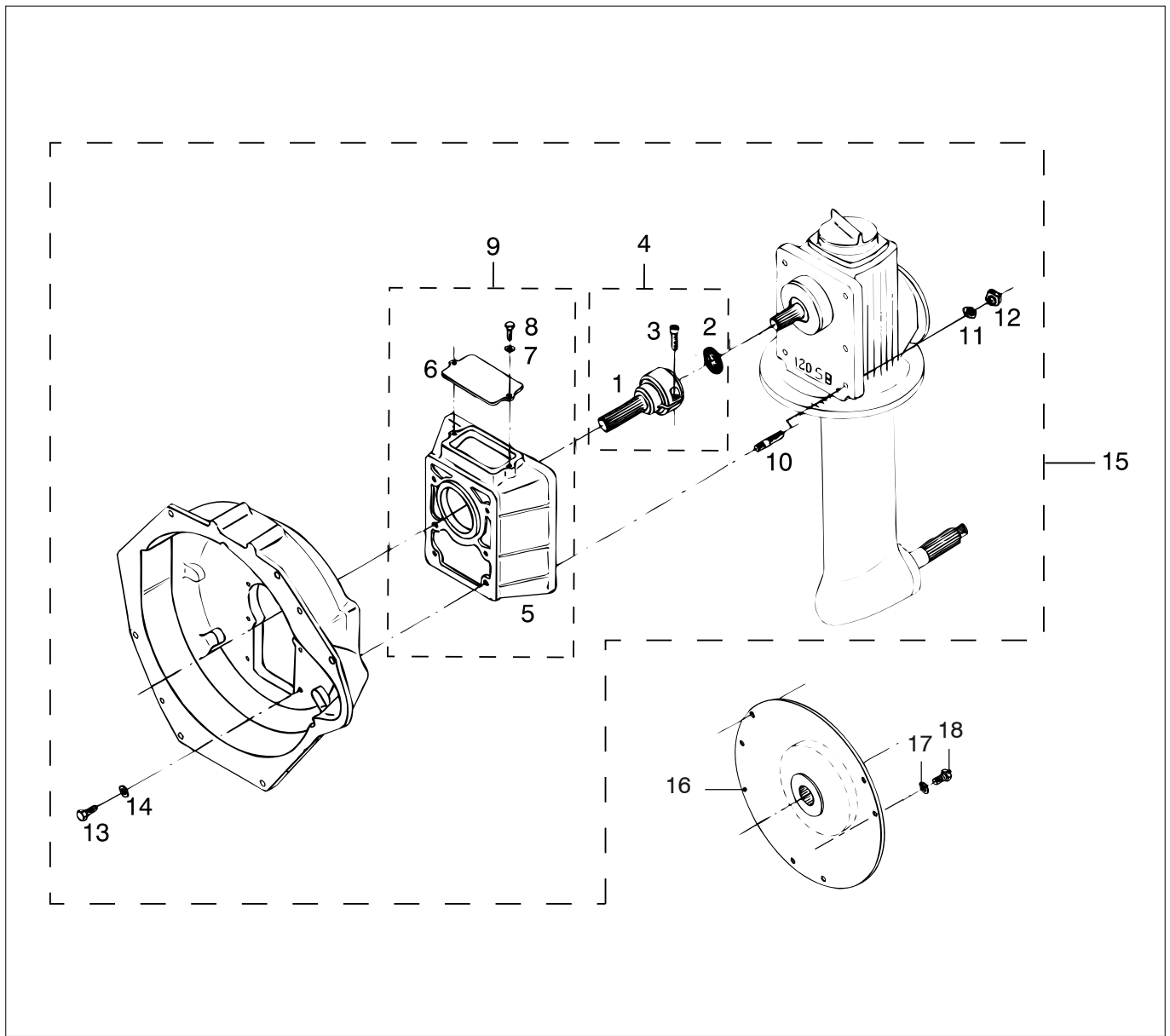


**M3.28 M3.29**

**Verloopset saildrive 120S**

**Adaptor kit saildrive 120S**

pos.	qty	part	benaming	description
1	1	STM7606	Koppeling	Coupling
2	1	STM7608	O-ring	O-ring
3	2	STM8332	Inbusbout M8x30	Allen screw M8x30
4	1	STM7616	Koppeling compleet (1+2+3)	Coupling cpl. (1+2+3)
5	1	STM7601	Adapterhuis	Adaptor case
6	1	STM7603	Deksel	Cover
7	2	STM1025	Gegolfde veerring M6	Wave spring washer M6
8	2	STM1024	Bout M6x15	Bolt M6x15
9	1	STM7612	Adapterhuis cpl. (5+6+7+8)	Adaptor case cpl. (5+6+7+8)
10	6	STM7620	Tapeind M10x20	Stud M10x20
11	1	STM7604	Adapterflens	Adaptor flange
12	2	STM2507	Paspn ø8x12	Pin ø8x12
13	6	STM2022	Gegolfde veerring M10	Wave spring washer M10
14	6	STM4018	Moer M10	Nut M10
15	6	STM8391	Bout M10x25 (sw16)	Bolt M10x25
16	6	STM1651	Bout M8x35	Bolt M8x35
17	6	STM1019	Gegolfde veerring M8	Wave spring washer M8
18	1	STM7621	Aanbouwset cpl.	Adator kit cpl.
19	1	STM4104	Demperplaat DIN splines Z=10	Damper plate DIN splines Z=10
20	6	STM1056	Veerring M8	Spring washer M8
21	6	STM4055	Bout M8x1,25x16	Bolt M8x1.25x16

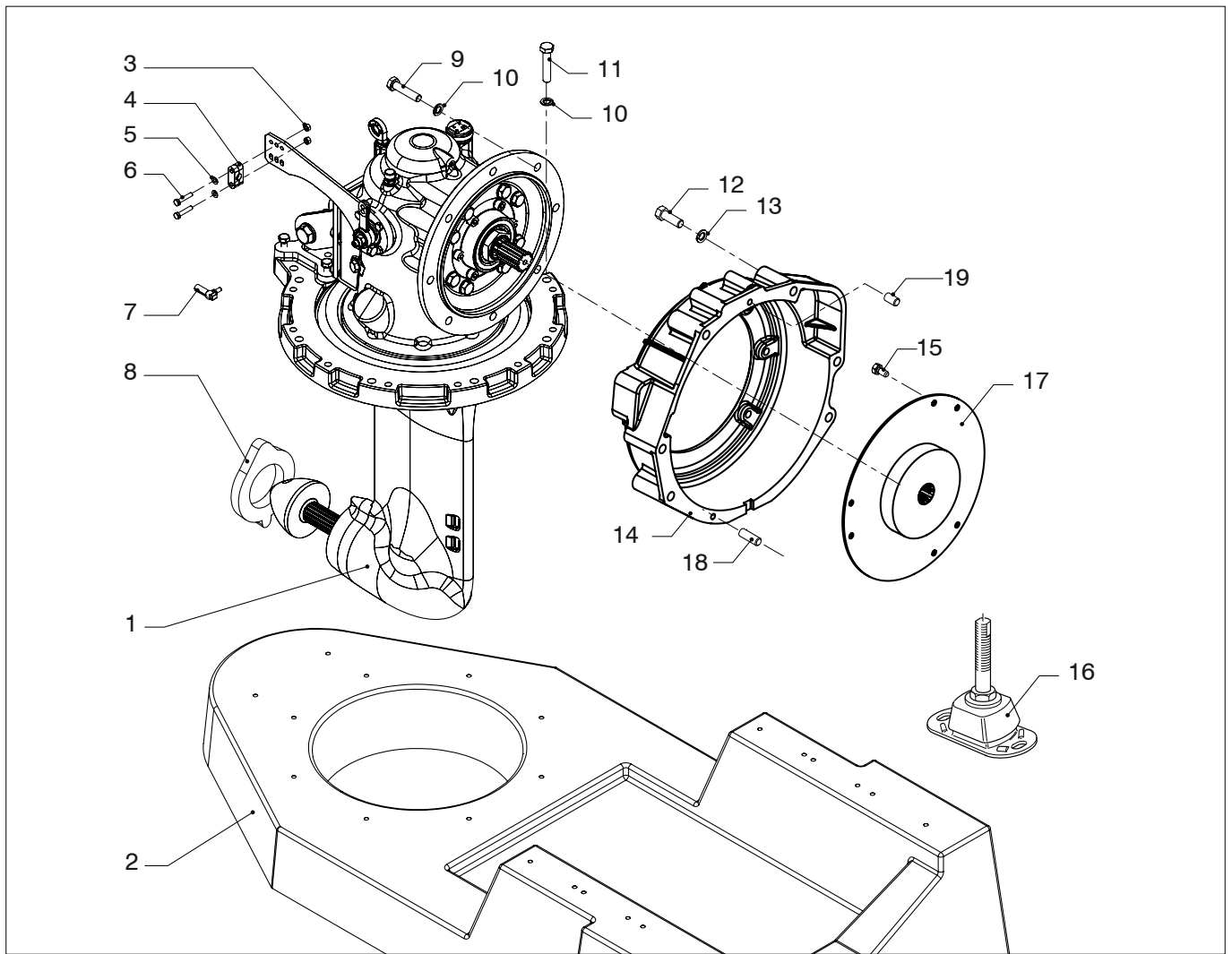


M3.28 M3.29

Verloopset saildrive 120SB

Adaptor kit saildrive 120SB

pos.	qty	part	benaming	description
1	1	STM7606	Koppeling	Coupling
2	1	STM7608	O-ring	O-ring
3	2	STM8332	Inbusbout M8x30	Allen screw M8x30
4	1	STM7616	Koppeling compleet (1+2+3)	Coupling cpl. (1+2+3)
5	1	STM7602	Adapterhuis	Adaptor case
6	1	STM7603	Deksel	Cover
7	2	STM1025	Gegolfde veerring M6	Wave spring washer M6
8	2	STM1024	Bout M6x15	Bolt M6x15
9	1	STM7617	Adapterhuis cpl. (5+6+7+8)	Adaptor case cpl. (5+6+7+8)
10	6	STM7618	Tapeind M10x35	Stud M10x35
11	6	STM2022	Gegolfde veerring M10	Wave spring washer M10
12	6	STM4018	Moer M10	Nut M10
13	6	STM1651	Bout M8x35	Bolt M8x35
14	6	STM1019	Gegolfde veerring M8	Wave spring washer M8
15	1	STM7619	Aanbouwset cpl.	Adaptor kit cpl.
16	1	STM4104	Demperplaat DIN splines Z=10	Damper plate DIN splines Z=10
17	6	STM1056	Veerring M8	Spring washer M8
18	6	STM4055	Bout M8x1,25x16	Bolt M8x1.25x16

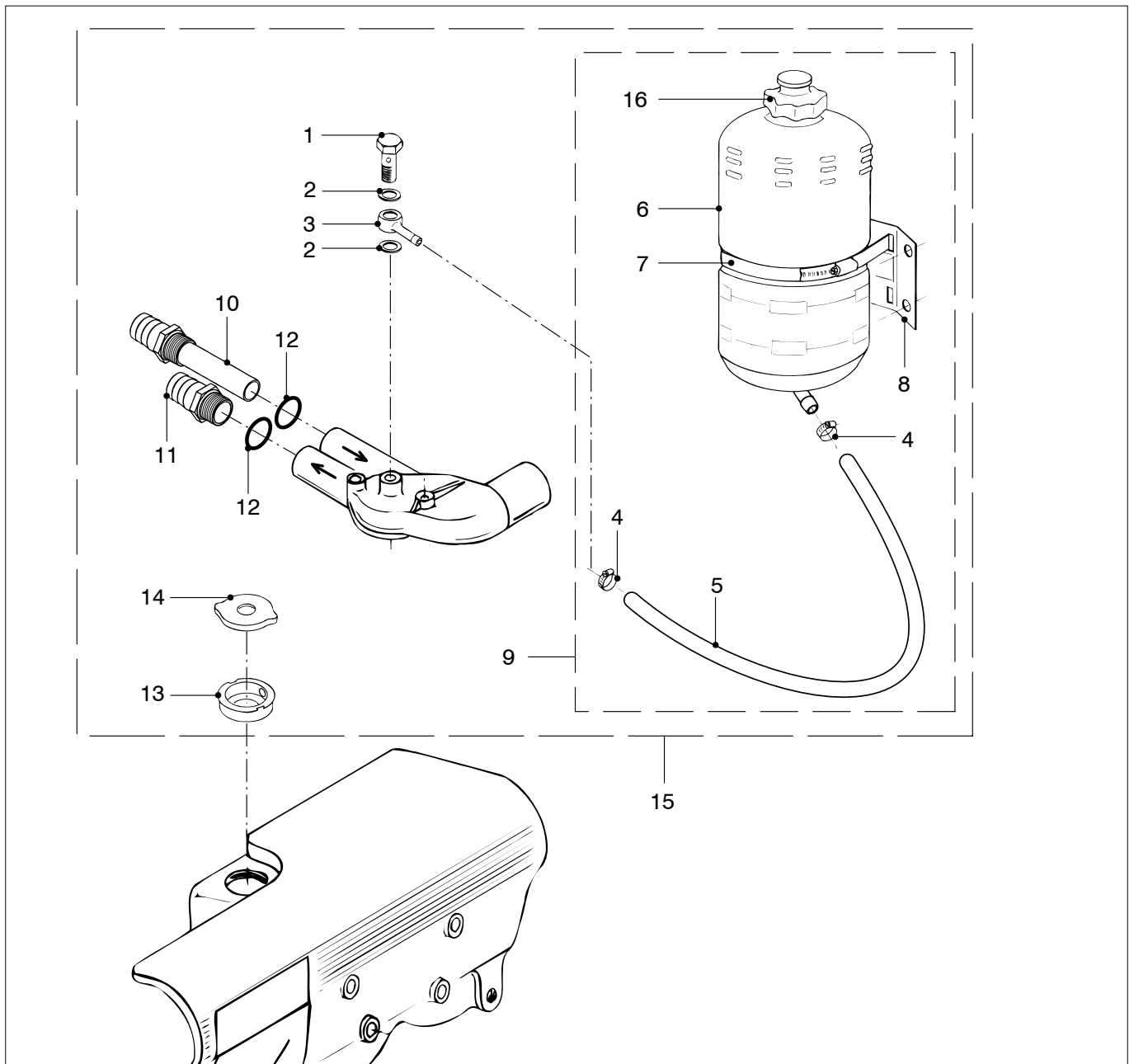


**M3.28 M3.29**

**Technodrive SP60 geïsoleerd**

**Technodrive SP60 insulated**

pos.	qty	part	benaming	description
1	1	<b>STM6000</b>	Saildrive 2,23:1	Saildrive 2.23:1
		<b>STM6001</b>	Saildrive 2,49:1	Saildrive 1.49:1
2	1	<b>STM9311</b>	Fundatie M2-M3-M4	Engine bed M2-M3-M4
		<b>STM9312</b>	Fundatie VH-M2-M3	Engine bed VH-M2-M3
3	2	<b>STM1705</b>	Moer M5	Nut M5
4	1	<b>STM1703</b>	Kabelklem	Kabel clamp
5	2	<b>STM1707</b>	Ring	Washer
6	6	<b>STM1704</b>	Bout M5x25	Bolt M5x25
7	1	<b>KOGELGEWR</b>	Kogelgewricht	Ball joint
8	1	<b>STM6062</b>	Zinkanode	Zinc anode
9	7	<b>CT20078</b>	Bout M10x1,5x45	Bolt M10x1,5x45
10	15	<b>STM4003</b>	Gegolfde veering M10	Wave spring washer M10
11	8	<b>STM6560</b>	Bout M10x1,5x50	Bolt M10x1,5x50
12	6	<b>STM6345</b>	Inbusbout M12x1,25x70	Allen screw M12x1,25x70
13	6	<b>STM4056</b>	Gegolfde veering M112	Wave spring washer M12
14	1	<b>STM6294</b>	Vliegwielhuis SAE7 Ø209,55	Flywheel housing SAE7 Ø209,55
15	6	<b>STM6111</b>	Inbusbout M8x1,25x16	Allen srew M8x1,25x16
16	2	<b>KSTEUN100</b>	Tillingdemper	Flexible engine mount
17	1	<b>STM6006</b>	Demperplaat M2-M3 geïsoleerd	Damper plate M2-M3 insulated
		<b>STM6005</b>	Demperplaat M4 geïsoleerd	Damper plate M4 insulated
18	1	<b>STM7279</b>	Paspen 8x18 DIN6325	Pin 8x18 DIN6325
19	1	<b>STM2507</b>	Paspen 8x10 DIN6325	Pin 8x10 DIN6325

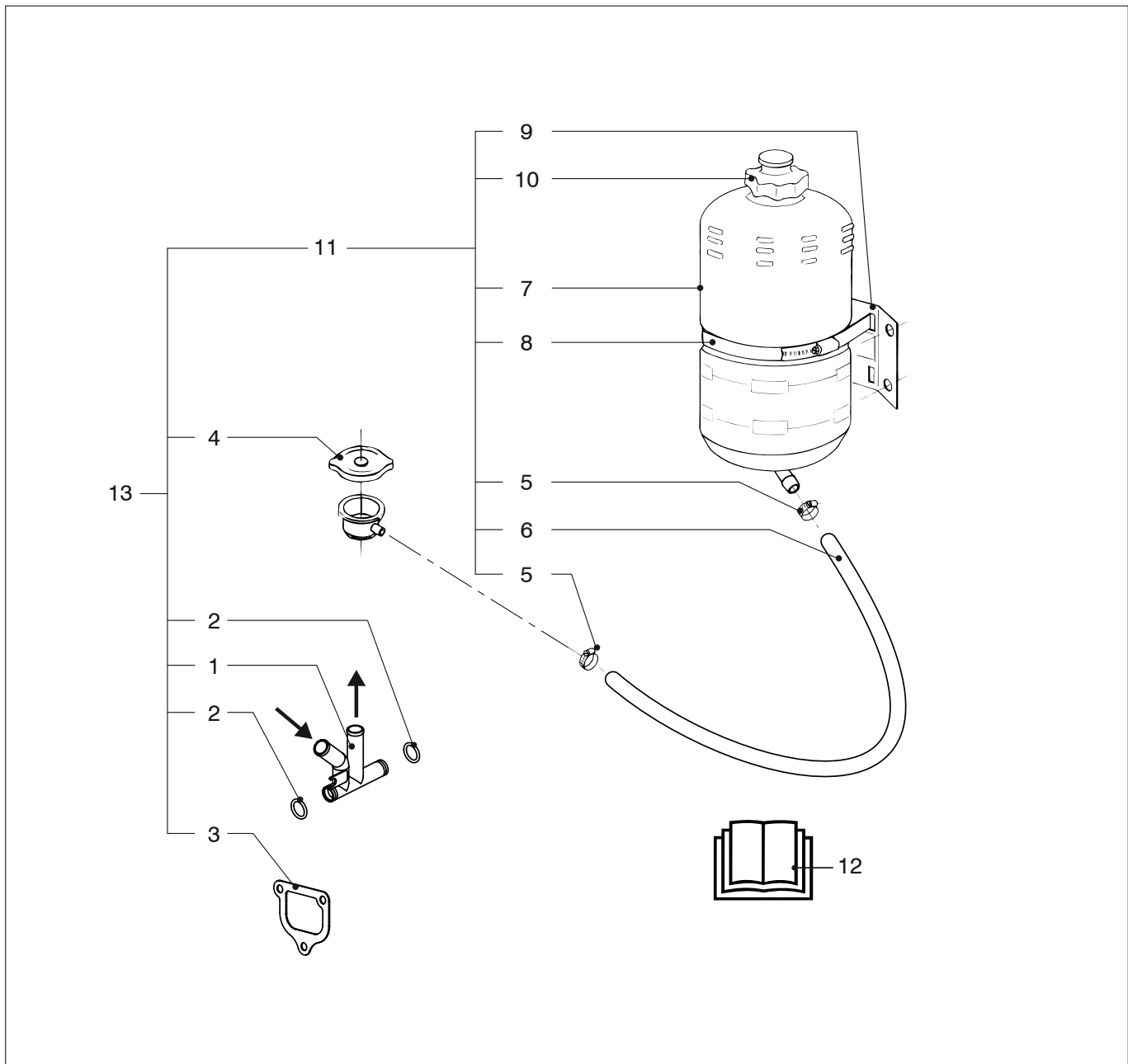


**M3.28 M3.29**

**Boileraansluiting I**

**Calorifier connection I**

pos.	qty	part	benaming	description
1	1	STM6199	Banjo bout M10 x 1,5	Banjo bolt M10 x 1,5
2	2	STM2018	Afdichtring M10	Seal washer M10
3	1	STM6198	Banjo oog	Banjo eye
4	2	STM9505	Klem	Clamp
5	1	STM9504	Slang	Hos
6	1	STM9501	Expansie tank	Headertank
7	1	STM9503	Slangklem 140-180	Hose clamp 140-180
8	1	STM9502	Bevestigingsbeugel	Support
9	1	STM9500	Expansietank compleet	Headertank compl.
10	1	STM6343	Slangpilaar (lang)	Hose pillar
11	1	STM3736	Slangpilaar (kort)	Hose pillar
12	2	STM6617	Afdichtring	Seal washer
13	1	STM3750	Vulnek	Filler neck
14	1	STM9507	Vuldop (Do not open)	Filler cap (Do not open)
15	1	STM6235	Boilerset compleet	Calorifier set compl.
16	1	08-01141	Drukdop	Pressure cap



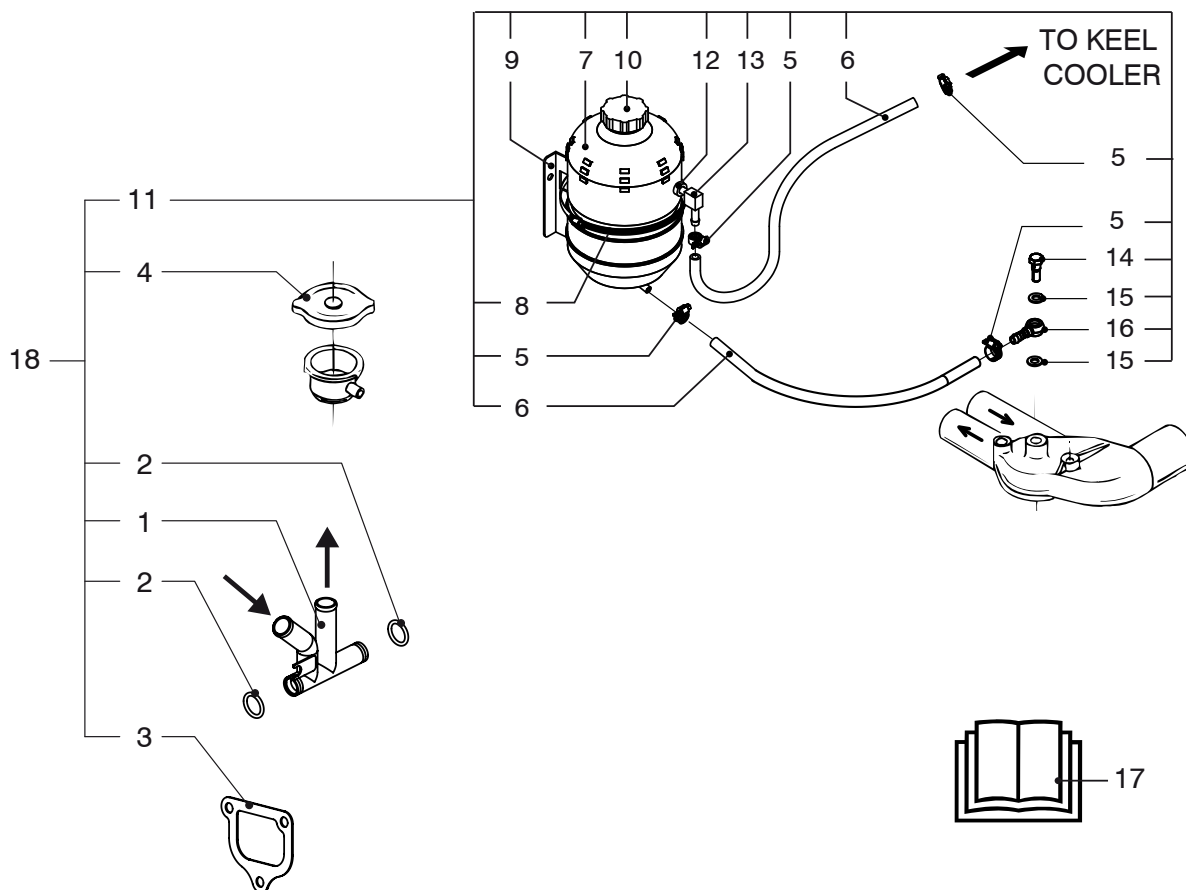
**M3.28 M3.29**

**Boileraansluiting II Interkoeling**

**Calorifier connection II Intercooling**

pos.	qty	part	benaming	description
1	1	08-01188	Pijp	Pipe
2	2	STM1238	O-ring	O-ring
3	1	STM3967	Pakking	Gasket
4	1	STM9507	Vuldop (do not open)	Filler cap (do not open)
5	2	STM9505	Slangklem	Hose clamp
6	1	STM9504	Slang	Hose
7	1	STM9501	Expansietank	Headertank
8	1	STM9503	Slangklem	Hose clamp
9	1	STM9502	Bevestigingsbeugel	Support
10	1	08-01141	Drukdop	Pressure cap
11	1	STM9500	Expansietank compleet	Headertank complete
12	1	344399.01	Installatie instructie	Installation instruction
13	1	08-01190	Boilerset compleet	Calorifier kit complete



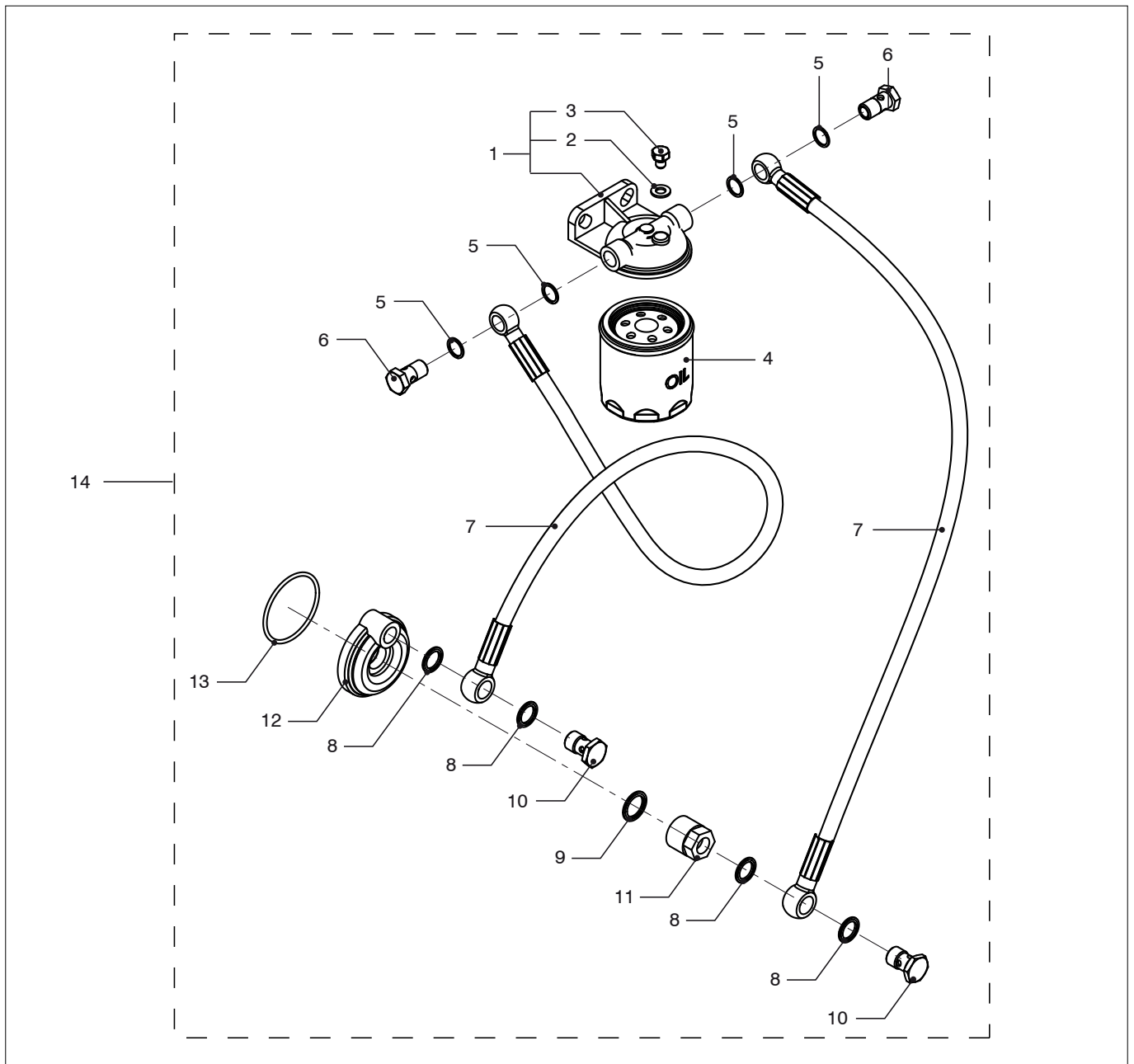


**M3.28 M3.29**

**Boileraansluiting II Kielkoeling**

**Calorifier connection II Keelcooling**

pos.	qty	part	benaming	description
1	1	08-01188	Pijp	Pipe
2	2	STM1238	O-ring	O-ring
3	1	STM3967	Pakking	Gasket
4	1	STM9507	Vuldop (do not open)	Filler cap (do not open)
5	4	STM9505	Slangklem	Hose clamp
6	2	STM9504	Slang	Hose
7	1	STM9513	Expansietank	Headertank
8	1	STM9503	Slangklem	Hose clamp
9	1	STM9502	Bevestigingsbeugel	Support
10	1	08-01141	Drukdop	Pressure cap
11	1	STM9514	Expansietank compleet	Headertank complete
12	1	STM9511	Tule	Grommet
13	1	STM9512	Slangpilaar	Hose pillar
14	1	STM7587	Banjo bout	Banjo bolt
15	2	STM2018	Afdichtring	Seal washer
16	1	STM6198	Banjo-oog	Banjo eye
17	1	344399.01	Installatie instructie	Installation instruction
18	1	08-01202	Boilerset compleet	Calorifier kit complete

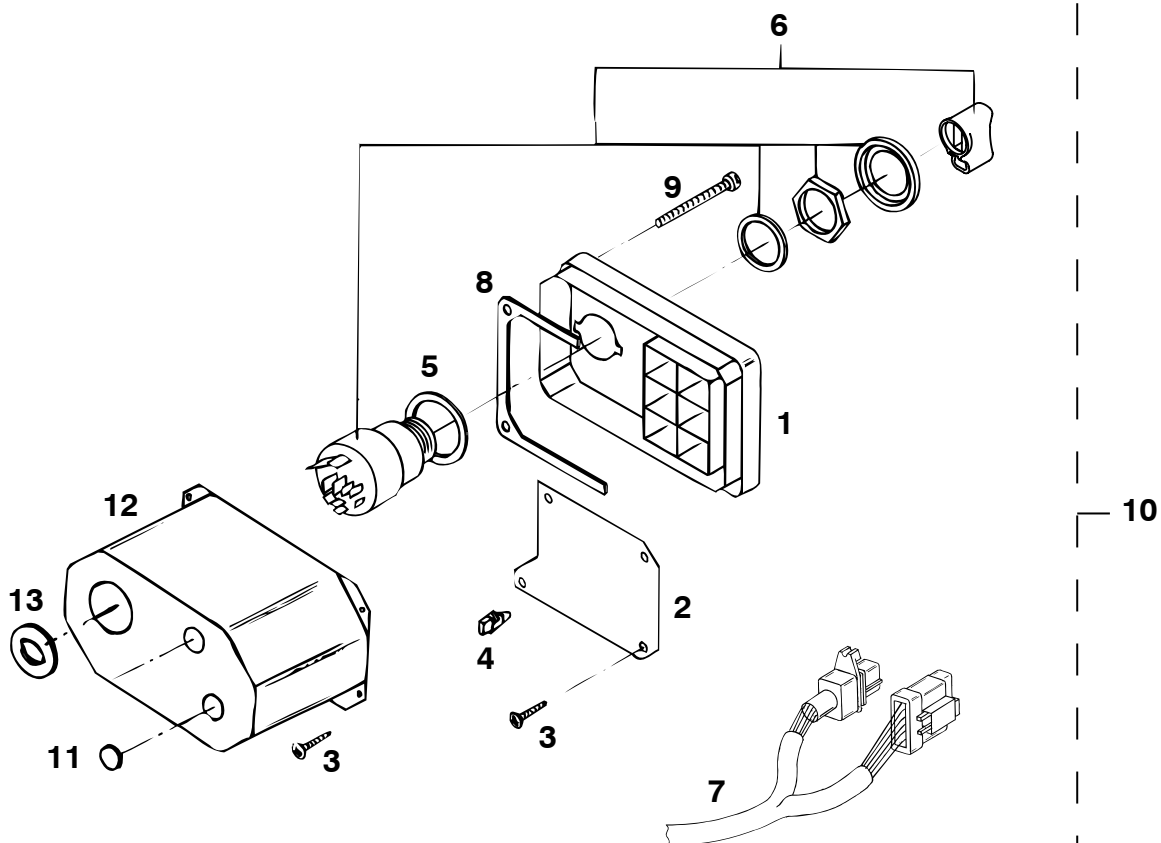


**M3.28 M3.29**

**Separaat gemonteerd oliefilter**

**Oil filter separately installed**

pos.	qty	part	benaming	description
1	1	STM9905	Filterkop M14x1,5	Filter head M14x1,5
2	1	STM3797	Afdichtring M8	Seal washer M8
3	1	STM3796	Ontluchttingsbout M8x1,25 l=10	Bleeding bolt M8x1,25 l=10
4	1	STM9316	Oliefilter M20	Oil filter M20
5	4	STM1062	Afdichtring M14	Seal washer M14
6	2	STM3518	Banjo bout M14x1.5	Banjo bolt M14x1.5
7	2	STM9906	Slang	Hose
8	4	STM9907	Afdichtring M16	Seal washer M16
9	1	STM9908	Afdichtring M20	Seal washer M20
10	2	STM9909	Banjo bout M16	Banjo bolt M16
11	1	STM9910	Moer	Nut
12	1	STM9911	Adapter	Adaptor
13	1	STM9912	O-ring	O-ring
14	1	STM9913	Set separaat oliefilter	Kit oil filter separately

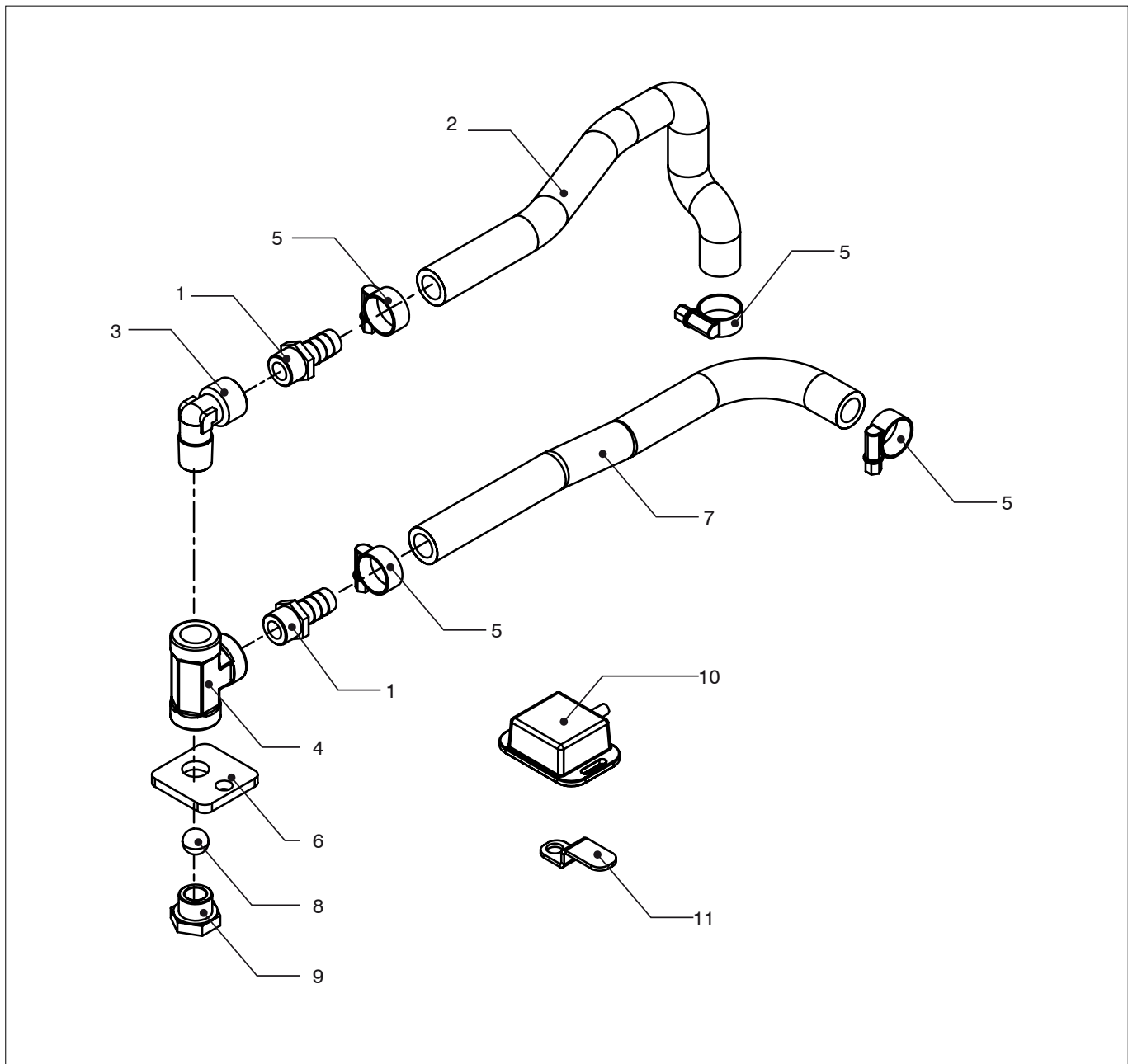


M3.28 M3.29

Instrumenten paneel MP10, SOLAS

Instrument panel MP10, SOLAS

pos.	qty	part	benaming	description
1	1	STM9065	Paneel	Panel
2	1	STM9066	Print cpl	Print cpl
3	8	P2295RKP	Plaatschroef	Screw
4	6	STM9169	Gloeilamp	Bulb
5	1	STM9172	Pakking	Gasket
6	1	08-01145	Startslot	Starter switch
7	1	STM6920	Paneelbedrading	Panel wiring
8	1	STM9068	Pakking	Gasket
9	4	P35254ZKP	Plaatschroef	Screw
10	1	08-01146	Instr.paneel cpl.	Instr.panel cpl.
11	2	STM7254	Blindstop	Plug
12	1	STM9069	Beschermkap	Protective cap
13	1	STM7222	Doorvoertule	Grommet



**M3.28**

**Tilt kit, SOLAS**

**Tilt kit, SOLAS**

pos.	qty	part	benaming	description
1	2	STM3057	Slangpilaar G 3/8 - 13 mm	Hose pilar G 3/8 - 13 mm
2	1	08-01117	Slang carterontluchting	Hose oil breather
3	1	08-01115	Knie G 3/8 bi G 3/8 bu	Elbow 90 deg G 3/8 male G 3/8 female
4	1	08-01116	T-stuk G 3/8 bi	T-piece G 3/8 female
5	4	STM9877	Slangklem (SLKL12)	Hose clamp (SLKL12)
6	1	08-01110	Montageplaatje kogelklep	Base plate ball valve
7	1	08-01118	Slang carterontluchting	Hose oil breather
8	1	08-01111	Kogel 13 mm RVS	Ball 13 mm SS
9	1	HS1026	Blindstop G 3/8 kunststof	Plug G 3/8 plastic
10	1	08-01113	Tilt sensor	Tilt sensor
11	1	08-01114	Vuldop beveiliging	Filling cap clamp

# Register Index

art.nr. / part	pag. page	pos.	art.nr. / part	pag. page	pos.	art.nr. / part	pag. page	pos.	art.nr. / part	pag. page	pos.
08-01032	5-4	23	08-01302	6-4	18	P35134RKP	4-4	11	STM1025	10-2	7
08-01033	5-4	31	08-01303	4-2	5	P35254ZKP	4-4	15	STM1025	3-3	35
08-01035	6-10	6	08-01304	6-4	25	P35254ZKP	10-9	9	STM1025	6-3	16
08-01036	6-10	3	08-01308	1-2	8	PA6488	4-4	10	STM1025	10-3	7
08-01067	2-7	3	08-01308	2-18	4	STM0051	1-1	5	STM1025	3-5	35
08-01089	2-7	4	08-01310	4-2	1	STM0051	1-2	5	STM1025	3-9	37
08-01090	2-7	8	08-01310	4-7	13	STM0051	2-6	31	STM1025	3-12	37
08-01095	4-6	15	08-01320	3-13	15	STM0052	1-1	8	STM1025	3-19	23
08-01108	3-1	15	08-01330	2-18	6	STM0052	1-2	10	STM1027	3-1	5
08-01108	3-4	15	08-01356	3-13	16	STM1006	3-1	14	STM1027	3-4	5
08-01110	10-10	6	08-01369	2-8	1	STM1006	3-4	14	STM1029	3-3	47
08-01111	10-10	8	08-01371	3-13	17	STM1007	3-3	40	STM1029	5-4	20
08-01113	10-10	10	08-01371	2-8	2	STM1007	3-6	40	STM1029	3-9	45
08-01114	10-10	11	08-01372	2-8	4	STM1007	3-8	29	STM1030	6-1	11
08-01115	10-10	3	08-01373	2-8	5	STM1007	3-11	29	STM1054	5-1	11
08-01116	10-10	4	08-01375	1-1	7	STM1017	3-1	4	STM1056	3-1	8
08-01117	10-10	2	08-01376	1-2	9	STM1017	3-4	4	STM1056	5-1	4
08-01118	10-10	7	08-01376	2-8	3	STM1019	3-13	3	STM1056	10-1	17
08-01141	10-5	16	08-01377	2-8	6	STM1019	3-13	5	STM1056	10-2	20
08-01141	10-6	10	08-01379	6-4	28	STM1019	3-13	7	STM1056	3-14	17
08-01141	10-7	10	08-01380	6-4	29	STM1019	3-13	13	STM1056	5-3	4
08-01141	3-9	48	08-01381	6-4	27	STM1019	4-1	11	STM1056	6-3	2
08-01141	3-12	46	344399.01	10-6	12	STM1019	5-1	6	STM1056	10-3	17
08-01145	10-9	6	344399.01	10-7	17	STM1019	6-1	14	STM1056	3-4	8
08-01146	10-9	10	AD14-16	4-8	15	STM1019	10-1	14	STM1056	5-4	25
08-01188	10-6	1	CT20078	10-4	9	STM1019	3-2	20	STM1056	4-6	4
08-01188	10-7	1	CT40029	4-6	8	STM1019	4-2	10	STM1056	4-6	10
08-01190	10-6	13	CT40029	4-7	8	STM1019	4-2	12	STM1056	3-7	8
08-01202	10-7	18	CT40042	4-2	6	STM1019	10-2	17	STM1056	4-7	4
08-01266	2-18	1	CT40075	4-1	7	STM1019	5-3	6	STM1056	4-7	10
08-01267	2-18	5	CT40083	4-8	11	STM1019	10-3	14	STM1056	3-10	8
08-01275	2-19	1	CT40133	4-4	19	STM1019	3-5	20	STM1056	2-19	6
08-01276	2-19	2	CT50079	5-4	28	STM1019	3-8	17	STM1059	3-1	16
08-01277	2-19	4	HS1026	10-10	9	STM1019	3-11	17	STM1059	3-4	16
08-01278	2-19	5	K40	2-1	4	STM1019	4-11	9	STM1059	3-7	9
08-01279	2-19	8	K40	5-1	12	STM1019	3-16	4	STM1059	3-10	9
08-01280	3-13	9	KOGELGEWR	10-4	7	STM1019	3-18	4	STM1062	3-1	17
08-01281	3-13	11	KSTEUN100	10-4	16	STM1024	10-1	8	STM1062	3-4	17
08-01284	3-13	1	KSTEUN40	5-3	12	STM1024	10-2	8	STM1062	3-7	10
08-01286	6-3	1	LNTACHU	4-4	8	STM1024	10-3	8	STM1062	4-8	14
08-01289	6-4	20	LNVOLT12U	4-4	9	STM1024	4-6	7	STM1062	10-8	5
08-01290	4-2	3	MP22BN12A	4-4	18	STM1024	4-7	7	STM1062	3-10	10
08-01292	2-19	11	MP22BS12A	4-4	18	STM1024	2-19	10	STM1097	2-10	4
08-01297	6-3	13	P2295RKP	4-4	3	STM1025	6-1	12	STM1100	2-2	1
08-01297	3-19	20	P2295RKP	10-9	3	STM1025	10-1	7	STM1101	2-14	4

art.nr. / part	pag. page	pos.	art.nr. / part	pag. page	pos.	art.nr. / part	pag. page	pos.	art.nr. / part	pag. page	pos.
STM1101	2-2	2	STM1145	3-18	7	STM1227	3-19	18	STM1323	6-6	12
STM1102	2-2	3	STM1146	2-5	15	STM1228	3-15	2	STM1324	6-7	12
STM1103	2-7	2	STM1148	2-5	17	STM1228	3-17	27	STM1325	6-7	12
STM1104	2-2	5	STM1150	2-6	19	STM1228	3-19	19	STM1326	6-7	12
STM1106	2-2	7	STM1151	2-6	22	STM1229	3-15	3	STM1327	6-7	12
STM1108	2-2	8	STM1153	2-6	25	STM1229	3-17	19	STM1328	6-7	12
STM1109	2-2	9	STM1154	2-6	26	STM1229	3-18	11	STM1329	6-7	12
STM1111	2-2	11	STM1155	2-14	16	STM1230	3-17	20	STM1330	6-7	13
STM1112	2-2	12	STM1155	2-6	27	STM1230	3-18	12	STM1331	6-7	19
STM1114	2-14	15	STM1156	2-6	28	STM1231	3-15	5	STM1332	6-7	20
STM1114	2-2	14	STM1157	2-6	32	STM1231	3-17	21	STM1334	6-7	22
STM1114	3-16	14	STM1158	2-6	33	STM1231	3-18	13	STM1336	6-7	24
STM1115	2-2	15	STM1159	2-9	2	STM1232	3-15	7	STM1337	6-8	1
STM1117	2-2	17	STM1160	2-9	4	STM1232	3-17	23	STM1338	6-8	2
STM1118	2-3	18	STM1163	2-9	7	STM1232	3-18	15	STM1339	6-8	4
STM1118	2-6	23	STM1164	2-9	8	STM1233	3-15	8	STM1340	6-8	6
STM1119	2-3	19	STM1166	2-9	10	STM1233	3-17	24	STM1341	6-8	7
STM1120	2-3	20	STM1167	2-9	11	STM1233	3-18	16	STM1342	6-8	8
STM1121	2-3	21	STM1168	2-9	12	STM1234	3-15	12	STM1344	6-8	10
STM1122	2-3	23	STM1179	2-10	7	STM1236	3-15	14	STM1345	6-8	11
STM1123	2-3	24	STM1182	2-10	10	STM1237	3-15	15	STM1346	6-8	12
STM1125	2-3	27	STM1183	2-10	11	STM1238	10-6	2	STM1348	6-8	14
STM1126	2-7	1	STM1184	2-10	12	STM1238	10-7	2	STM1349	6-8	15
STM1127	6-2	31	STM1185	2-10	13	STM1238	3-15	16	STM1352	6-8	16
STM1127	2-3	30	STM1189	2-11	2	STM1241	4-5	1	STM1354	2-15	17
STM1127	3-16	7	STM1190	2-11	3	STM1250	4-5	3	STM1362	6-9	33
STM1128	6-2	33	STM1191	2-11	4	STM1297	6-5	3	STM1363	6-8	18
STM1128	2-3	32	STM1193	2-11	6	STM1299	2-14	14	STM1366	6-9	22
STM1128	3-16	9	STM1195	2-11	8	STM1299	6-5	5	STM1367	6-9	23
STM1129	3-16	11	STM1197	2-11	9	STM1302	6-5	9	STM1368	6-9	24
STM1130	2-4	34	STM1198	2-11	1	STM1303	6-5	10	STM1369	6-9	25
STM1130	3-16	10	STM1199	2-11	10	STM1303	2-15	18	STM1370	6-9	26
STM1133	2-14	2	STM1202	2-11	13	STM1306	6-6	2	STM1371	6-9	27
STM1133	2-5	2	STM1204	2-11	14	STM1307	6-6	3	STM1372	6-9	28
STM1134	2-5	3	STM1206	2-11	15	STM1308	6-6	4	STM1373	6-9	29
STM1139	2-5	7	STM1208	2-12	20	STM1309	6-6	5	STM1377	6-10	1
STM1140	2-5	8	STM1211	2-12	23	STM1310	6-6	6	STM1378	6-10	2
STM1141	2-5	9	STM1213	2-12	28	STM1312	6-6	8	STM1379	6-10	2
STM1141	2-15	22	STM1215	2-12	29	STM1313	6-6	9	STM1380	6-10	2
STM1142	2-5	10	STM1216	2-12	30	STM1314	6-6	10	STM1381	6-10	2
STM1143	2-5	11	STM1217	2-12	31	STM1315	6-6	11	STM1382	6-10	2
STM1143	3-17	17	STM1219	2-13	34	STM1316	6-6	12	STM1383	6-10	2
STM1143	3-18	9	STM1220	2-13	35	STM1317	6-6	12	STM1384	6-10	2
STM1144	2-5	12	STM1222	2-16	1	STM1318	6-6	12	STM1385	6-10	2
STM1144	3-16	16	STM1223	2-16	2	STM1319	6-6	12	STM1386	6-10	2
STM1144	3-18	8	STM1225	2-16	4	STM1320	6-6	12	STM1389	6-10	4
STM1145	2-5	13	STM1227	3-15	1	STM1321	6-6	12	STM1390	6-10	5
STM1145	3-16	15	STM1227	3-17	26	STM1322	6-6	12	STM1392	6-10	7

art.nr. / part	pag. page	pos.	art.nr. / part	pag. page	pos.	art.nr. / part	pag. page	pos.	art.nr. / part	pag. page	pos.
STM1421	2-10	3	STM2005	2-19	7	STM3057	10-10	1	STM3762	4-3	7
STM1422	2-10	3	STM2005	4-11	7	STM3066	4-1	12	STM3767	4-11	11
STM1423	2-10	3	STM2006	3-3	42	STM3255	3-16	13	STM3779	6-3	5
STM1426	3-18	6	STM2006	3-6	42	STM3260	6-2	30	STM3796	3-3	41
STM1428	6-6	7	STM2006	4-8	9	STM3260	6-2	32	STM3796	6-3	6
STM1439	6-9	31	STM2012	3-13	10	STM3260	2-3	31	STM3796	3-6	41
STM1440	6-9	32	STM2012	3-13	12	STM3260	3-16	8	STM3796	3-8	30
STM1441	6-9	19	STM2012	3-2	28	STM3353	2-7	6	STM3796	10-8	3
STM1515	3-1	3	STM2012	3-14	20	STM3355	3-13	4	STM3796	3-11	30
STM1515	3-4	3	STM2012	3-5	28	STM3355	3-1	7	STM3797	6-1	2
STM1610	5-1	5	STM2018	3-3	39	STM3355	4-1	10	STM3797	10-8	2
STM1610	5-3	5	STM2018	10-5	2	STM3355	4-2	9	STM3900	2-15	24
STM1610	2-6	24	STM2018	3-6	39	STM3355	2-4	36	STM3901	2-14	7
STM1610	4-11	8	STM2018	10-7	15	STM3355	3-4	7	STM3901	2-2	13
STM1651	10-1	13	STM2018	3-8	21	STM3355	5-4	26	STM3903	2-14	9
STM1651	10-2	16	STM2018	3-11	21	STM3355	4-6	9	STM3903	2-2	16
STM1651	10-3	13	STM2019	3-3	43	STM3355	3-7	7	STM3904	2-3	26
STM1653	5-4	24	STM2019	3-6	43	STM3355	4-7	9	STM3905	2-3	26
STM1703	10-4	4	STM2019	4-8	10	STM3355	3-10	7	STM3906	2-3	26
STM1703	4-9	1	STM2022	2-1	3	STM3355	2-17	6	STM3907	2-5	1
STM1703	4-10	1	STM2022	10-1	11	STM3491	5-4	27	STM3908	2-14	8
STM1703	4-11	1	STM2022	10-2	13	STM3518	10-8	6	STM3908	2-5	4
STM1704	10-4	6	STM2022	10-3	11	STM3546	2-2	10	STM3909	2-5	6
STM1704	4-9	2	STM2022	6-4	19	STM3549	2-3	28	STM3910	2-14	10
STM1704	4-10	2	STM2258	2-4	35	STM3555	2-5	5	STM3910	2-5	16
STM1704	4-11	2	STM2258	3-16	12	STM3562	2-6	21	STM3911	2-14	13
STM1705	4-1	9	STM2260	2-5	14	STM3565	2-6	29	STM3911	2-5	18
STM1705	10-4	3	STM2260	3-17	18	STM3566	2-6	30	STM3912	2-9	1
STM1705	4-11	12	STM2260	3-18	10	STM3600	2-10	15	STM3914	2-9	6
STM1707	10-4	5	STM2507	5-1	7	STM3604	2-11	7	STM3915	2-14	1
STM1707	4-11	13	STM2507	10-2	12	STM3612	2-12	25	STM3915	2-9	9
STM1806	4-9	4	STM2507	5-3	7	STM3614	2-13	32	STM3918	2-10	8
STM1806	4-10	4	STM2507	2-4	37	STM3620	2-11	16	STM3919	2-10	9
STM1806	4-11	4	STM2507	10-4	19	STM3650	4-8	3	STM3920	2-10	14
STM1807	4-9	3	STM2510	2-3	22	STM3690	1-1	3	STM3922	2-11	11
STM1807	4-10	5	STM2513	2-3	25	STM3690	6-1	5	STM3923	2-12	19
STM1807	4-11	3	STM2526	2-15	23	STM3690	1-2	3	STM3925	2-13	36
STM1808	4-9	5	STM2557	2-10	5	STM3690	6-3	8	STM3925	2-14	5
STM1808	4-10	6	STM2558	2-10	6	STM3696	6-1	3	STM3925	6-9	30
STM1808	4-11	5	STM2588	2-12	17	STM3705	4-2	14	STM3926	2-14	6
STM1851	4-11	6	STM2589	2-14	3	STM3712	4-3	6	STM3926	3-15	4
STM1852	4-11	10	STM2589	2-12	18	STM3736	10-5	11	STM3927	2-14	11
STM2005	4-2	11	STM2719	6-8	5	STM3749	4-6	11	STM3927	2-16	6
STM2005	3-14	18	STM2720	6-8	3	STM3749	4-7	11	STM3928	6-8	17
STM2005	4-6	5	STM2737	6-9	20	STM3749	2-17	7	STM3929	2-16	3
STM2005	4-7	5	STM2742	4-8	2	STM3750	10-5	13	STM3932	4-8	5
STM2005	3-16	5	STM3005	3-12	43	STM3750	3-7	3	STM3946	6-5	2
STM2005	3-18	5	STM3012	2-17	5	STM3750	3-10	3	STM3947	6-5	2

art.nr. / part	pag. page	pos.	art.nr. / part	pag. page	pos.	art.nr. / part	pag. page	pos.	art.nr. / part	pag. page	pos.
STM3948	6-5	2	STM4055	3-13	2	STM6106	5-1	2	STM6126	3-18	3
STM3949	6-5	2	STM4055	3-13	14	STM6107	5-1	2	STM6127	3-14	8
STM3950	6-5	2	STM4055	10-1	18	STM6109	3-14	16	STM6127	3-16	2
STM3951	6-5	2	STM4055	4-2	13	STM6109	3-16	1	STM6127	3-18	2
STM3952	6-5	2	STM4055	10-2	21	STM6109	3-18	1	STM6128	3-4	9
STM3953	6-5	2	STM4055	6-3	3	STM6111	5-1	3	STM6131	3-1	12
STM3954	6-5	2	STM4055	10-3	18	STM6111	5-3	3	STM6131	3-4	12
STM3955	6-5	6	STM4056	5-1	10	STM6111	10-4	15	STM6138	3-2	29
STM3956	6-5	7	STM4056	5-2	17	STM6112	3-2	33	STM6138	3-5	29
STM3957	6-5	8	STM4056	5-3	10	STM6112	3-5	33	STM6138	3-8	31
STM3958	6-5	11	STM4056	5-4	17	STM6112	3-9	35	STM6138	3-11	31
STM3959	6-6	1	STM4056	10-4	13	STM6112	3-12	35	STM6139	2-17	4
STM3960	6-7	17	STM4061	6-1	8	STM6113	1-1	2	STM6139	2-18	3
STM3961	6-7	21	STM4061	6-3	11	STM6113	3-1	10	STM6147	3-3	38
STM3962	6-7	23	STM4104	10-1	16	STM6113	1-2	2	STM6147	3-6	38
STM3964	6-8	9	STM4104	10-2	19	STM6113	3-4	10	STM6152	3-2	23
STM3966	6-8	13	STM4104	10-3	16	STM6114	2-17	3	STM6152	3-5	23
STM3967	10-6	3	STM4537	4-6	3	STM6115	6-1	6	STM6152	3-7	12
STM3967	10-7	3	STM4537	4-7	3	STM6116	3-2	30	STM6152	3-10	12
STM3967	2-15	19	STM4591	6-4	30	STM6116	5-4	29	STM6155	3-2	34
STM3967	3-15	13	STM4593	4-2	8	STM6116	5-4	30	STM6155	3-5	34
STM3970	2-2	6	STM4614	1-2	1	STM6116	3-5	30	STM6155	2-6	20
STM3971	6-9	34	STM4614	4-2	4	STM6116	3-8	32	STM6155	3-9	36
STM3972	6-9	35	STM4674	3-10	15	STM6116	3-9	41	STM6155	3-12	36
STM3973	6-9	21	STM4675	3-12	42	STM6116	3-11	32	STM6155	3-15	6
STM3974	2-6	34	STM5007	5-4	21	STM6116	3-12	41	STM6155	3-17	22
STM4003	10-4	10	STM5103	5-2	18	STM6117	3-2	22	STM6155	3-18	14
STM4010	2-1	5	STM5162	5-2	18	STM6117	3-5	22	STM6156	3-3	37
STM4010	5-1	13	STM5163	5-2	18	STM6118	3-3	36	STM6156	3-6	37
STM4010	5-3	13	STM5171	5-2	20	STM6118	3-6	36	STM6156	3-9	39
STM4011	2-1	6	STM5176	5-2	19	STM6118	3-9	38	STM6156	3-12	39
STM4011	5-2	14	STM5177	5-2	19	STM6118	3-12	38	STM6157	3-2	18
STM4011	5-3	14	STM5352	5-2	18	STM6120	2-16	5	STM6157	3-5	18
STM4013	6-1	7	STM5353	5-2	18	STM6120	2-18	2	STM6157	3-7	11
STM4013	4-5	2	STM5402	5-2	18	STM6121	3-2	19	STM6157	3-10	11
STM4016	6-3	10	STM5403	5-2	18	STM6121	3-5	19	STM6161	3-14	5
STM4018	6-1	9	STM6000	10-4	1	STM6121	4-6	2	STM6162	3-14	14
STM4018	10-1	12	STM6001	10-4	1	STM6121	4-7	2	STM6168	3-14	7
STM4018	10-2	14	STM6005	10-4	17	STM6122	3-8	18	STM6169	3-14	6
STM4018	6-3	12	STM6006	10-4	17	STM6122	3-11	18	STM6170	3-14	12
STM4018	10-3	12	STM6049	6-3	7	STM6124	3-2	27	STM6171	3-14	1
STM4033	5-1	2	STM6049	6-1	4	STM6124	3-5	27	STM6172	3-14	11
STM4033	5-3	2	STM6050	6-1	1	STM6126	3-2	24	STM6173	3-14	13
STM4033	5-3	2	STM6050	6-3	4	STM6126	3-14	10	STM6178	3-2	25
STM4043	3-7	5	STM6062	10-4	8	STM6126	3-5	24	STM6178	3-7	15
STM4043	3-10	5	STM6099	2-17	2	STM6126	3-7	14	STM6179	3-7	13
STM4045	2-8	7	STM6101	2-1	1	STM6126	3-10	14	STM6179	3-10	13
STM4050	1-2	7	STM6102	2-1	2	STM6126	3-16	3	STM6180	6-1	10



art.nr. / part	pag. page	pos.	art.nr. / part	pag. page	pos.	art.nr. / part	pag. page	pos.	art.nr. / part	pag. page	pos.
STM6185	6-2	22	STM6255	6-2	25	STM6617	3-9	46	STM7603	10-2	6
STM6185	6-4	24	STM6255	6-7	18	STM6617	3-12	44	STM7603	10-3	6
STM6186	6-2	23	STM6256	6-2	24	STM6912	4-4	2	STM7604	10-2	11
STM6186	6-4	26	STM6257	6-2	26	STM6920	10-9	7	STM7605	10-1	1
STM6189	6-2	18	STM6257	6-7	16	STM6941	4-3	1	STM7606	10-2	1
STM6190	6-2	19	STM6258	6-2	27	STM6942	4-3	1	STM7606	10-3	1
STM6192	6-2	21	STM6258	6-7	15	STM6943	4-3	1	STM7607	10-1	2
STM6198	10-5	3	STM6259	6-2	28	STM6944	4-3	1	STM7608	10-2	2
STM6198	10-7	16	STM6259	6-7	14	STM6945	4-3	2	STM7608	10-3	2
STM6198	3-8	20	STM6262	3-3	44	STM6946	4-3	2	STM7611	10-1	4
STM6198	3-11	20	STM6262	3-9	42	STM6947	4-3	2	STM7612	10-1	9
STM6199	10-5	1	STM6264	4-8	1	STM6948	4-3	2	STM7612	10-2	9
STM6199	3-8	22	STM6265	4-8	4	STM6978	4-4	13	STM7614	10-1	15
STM6199	3-11	22	STM6267	4-8	6	STM7056	6-1	16	STM7615	10-1	10
STM6235	10-5	15	STM6268	4-8	7	STM7056	6-4	21	STM7616	10-2	4
STM6236	3-9	40	STM6268	3-15	18	STM7059	3-13	8	STM7616	10-3	4
STM6236	3-12	40	STM6269	4-8	16	STM7059	6-1	13	STM7617	10-3	9
STM6238	4-11	14	STM6269	2-15	21	STM7222	10-9	13	STM7618	10-3	10
STM6242	3-1	2	STM6269	3-15	17	STM7254	10-9	11	STM7619	10-3	15
STM6242	3-4	2	STM6279	5-1	8	STM7279	10-4	18	STM7620	10-2	10
STM6243	3-1	1	STM6279	5-3	8	STM7285	3-3	49	STM7621	10-2	18
STM6243	3-4	1	STM6279	2-4	38	STM7285	3-9	47	STM7648	3-1	13
STM6244	3-7	2	STM6281	3-1	9	STM7285	3-12	45	STM7648	3-4	13
STM6244	3-10	2	STM6284	6-5	1	STM7294	4-10	3	STM7688	3-14	3
STM6245	3-7	1	STM6284	6-7	25	STM7437	4-6	1	STM7689	3-14	4
STM6245	3-10	1	STM6284	3-16	6	STM7437	4-7	1	STM7691	3-14	15
STM6246	4-1	1	STM6285	6-2	20	STM7438	4-6	6	STM7696	3-14	9
STM6247	3-14	19	STM6289	2-17	1	STM7438	4-7	6	STM7953	4-8	8
STM6248	4-1	2	STM6291	6-2	29	STM7439	1-1	6	STM8057	6-1	17
STM6249	3-14	2	STM6293	5-1	1	STM7439	1-2	6	STM8057	6-4	23
STM6250	3-2	31	STM6293	5-3	1	STM7439	4-6	12	STM8076	1-1	4
STM6250	3-5	31	STM6294	10-4	14	STM7439	4-7	12	STM8076	1-2	4
STM6250	3-9	33	STM6299	3-2	26	STM7439	3-15	9	STM8168	2-7	7
STM6250	3-12	33	STM6299	3-5	26	STM7439	3-17	25	STM8177	4-1	8
STM6250	3-15	11	STM6299	3-7	16	STM7439	3-19	17	STM8208	5-4	22
STM6251	3-2	32	STM6299	3-10	16	STM7440	4-6	13	STM8326	4-8	13
STM6251	3-5	32	STM6305	2-7	5	STM7446	3-1	11	STM8332	10-1	3
STM6251	3-9	34	STM6341	4-8	12	STM7446	3-4	11	STM8332	10-2	3
STM6251	3-12	34	STM6343	10-5	10	STM7584	5-2	15	STM8332	10-3	3
STM6251	2-15	20	STM6345	5-1	9	STM7584	5-3	15	STM8372	6-3	14
STM6251	3-15	10	STM6345	5-3	9	STM7587	10-7	14	STM8372	3-19	21
STM6252	3-5	21	STM6345	10-4	12	STM7591	4-1	13	STM8390	4-2	15
STM6254	3-13	6	STM6346	3-3	45	STM7595	5-2	16	STM8391	10-2	15
STM6254	3-1	6	STM6346	5-4	18	STM7595	5-4	16	STM8568	3-3	46
STM6254	3-4	6	STM6346	3-9	43	STM7601	10-1	5	STM8568	5-4	19
STM6254	3-7	6	STM6560	10-4	11	STM7601	10-2	5	STM8568	3-9	44
STM6254	2-9	3	STM6617	3-3	48	STM7602	10-3	5	STM8568	2-19	9
STM6254	3-10	6	STM6617	10-5	12	STM7603	10-1	6	STM8569	6-3	17

art.nr. / part	pag. page	pos.	art.nr. / part	pag. page	pos.	art.nr. / part	pag. page	pos.
STM8569	3-19	24	STM9503	10-6	8	STM9832	2-14	12
STM8726	6-3	15	STM9503	10-7	8	STM9832	3-2	21
STM8726	2-19	3	STM9503	3-8	26	STM9832	3-8	19
STM8726	3-19	22	STM9503	3-11	26	STM9832	3-11	19
STM9007	2-10	17	STM9504	10-5	5	STM9833	6-5	4
STM9050	4-1	6	STM9504	10-6	6	STM9833	6-10	8
STM9050	4-2	2	STM9504	10-7	6	STM9834	2-11	12
STM9052	4-1	5	STM9504	3-8	23	STM9877	10-10	5
STM9065	10-9	1	STM9504	3-11	23	STM9888	4-4	20
STM9066	10-9	2	STM9505	10-5	4	STM9905	10-8	1
STM9068	10-9	8	STM9505	10-6	5	STM9906	10-8	7
STM9069	10-9	12	STM9505	10-7	5	STM9907	10-8	8
STM9113	4-2	7	STM9505	3-8	24	STM9908	10-8	9
STM9169	4-4	4	STM9505	3-11	24	STM9909	10-8	10
STM9169	10-9	4	STM9507	10-5	14	STM9910	10-8	11
STM9170	4-4	5	STM9507	10-6	4	STM9911	10-8	12
STM9171	4-4	6	STM9507	3-7	4	STM9912	10-8	13
STM9172	4-4	7	STM9507	10-7	4	STM9913	10-8	14
STM9172	10-9	5	STM9507	3-10	4			
STM9176	4-4	8	STM9511	10-7	12			
STM9177	4-4	9	STM9512	10-7	13			
STM9180	4-4	14	STM9513	10-7	7			
STM9184	4-1	3	STM9514	10-7	11			
STM9185	1-1	1	STM9563	4-6	14			
STM9185	4-1	4	STM9563	4-7	14			
STM9186	4-4	1	STM9678	5-3	11			
STM9188	4-4	17	STM9731	4-4	16			
STM9215	4-4	12	STM9810	2-4	33			
STM9262	6-1	15	STM9811	2-12	24			
STM9262	6-4	22	STM9812	2-12	24			
STM9311	10-4	2	STM9813	2-13	33			
STM9312	10-4	2	STM9814	2-11	5			
STM9316	10-8	4	STM9815	2-9	5			
STM9468	6-2	19	STM9816	2-12	27			
STM9500	10-5	9	STM9817	2-12	26			
STM9500	10-6	11	STM9818	2-12	21			
STM9500	3-8	28	STM9819	2-12	22			
STM9500	3-11	28	STM9821	2-9	13			
STM9501	10-5	6	STM9822	2-9	14			
STM9501	10-6	7	STM9823	2-9	15			
STM9501	3-8	25	STM9824	2-9	16			
STM9501	3-11	25	STM9825	2-10	2			
STM9502	10-5	8	STM9826	2-10	2			
STM9502	10-6	9	STM9827	2-10	2			
STM9502	10-7	9	STM9828	2-10	1			
STM9502	3-8	27	STM9829	2-10	1			
STM9502	3-11	27	STM9830	2-10	1			
STM9503	10-5	7	STM9831	2-10	16			



**VETUS** b.v.

FOKKERSTRAAT 571 - 3125 BD SCHIEDAM - HOLLAND  
TEL.: +31 (10) 4377700 - TELEFAX: +31 (10) 4372673 - 4621286  
E-MAIL: [sales@vetus.nl](mailto:sales@vetus.nl) - INTERNET: <http://www.vetus.com>